

NLC SPEW1WH

NLC Wireless End-Mount PIR/Daylight Sensor

Project _____

Catalog _____

Type _____

Date _____

Product Description

The NLC SPEW1WH is a line-voltage Bluetooth wireless PIR/Daylight sensor. It operates at 10A (max) load at 120/277V to control luminaires. It provides 360° coverage at heights ranging from 8 to 40ft and installs into any 1/2 knockout wired directly to the luminaire or junction box nearby. Setup and commissioning requires the NICOR NLC mobile app (Android/iPhone). Lens options sold separately.

Construction

- IP65

Network Technology

- Bluetooth Low-Energy Mesh Network
- Controlled with the NLC App for both iOS and Android smartphones
- Bluetooth can be transmitted up to 100ft
- BLE 4.2 MESH IEEE 802.15.1

Electrical

- Input voltage of 120/277V AC 50/60Hz
- Maximum load of 10A, 1200w Max for LED driver only
- Operating temperature rating of -22°F to 131°F (-30°C to 55°C)

Listings

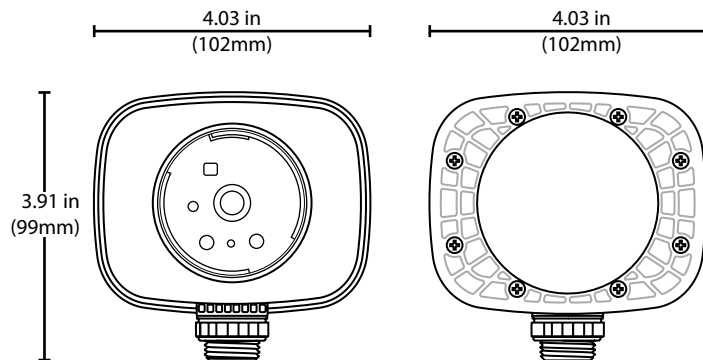
- UL listing: UL1376
- Cyber Security Certification
- RoHS compliant

Warranty

- 5-year limited system warranty standard
- Warranty does not cover product failure due to an overvoltage event (power surge)



Dimensions



Ordering Information

Example: NLC SPEW1WH

Series	Product	Sensor Type	Mounting Type	Connector Type	Version	Finish
NLC	S (Sensor)	P (PIR)	E (External Mount)	W (Wired)	1	WH (White)

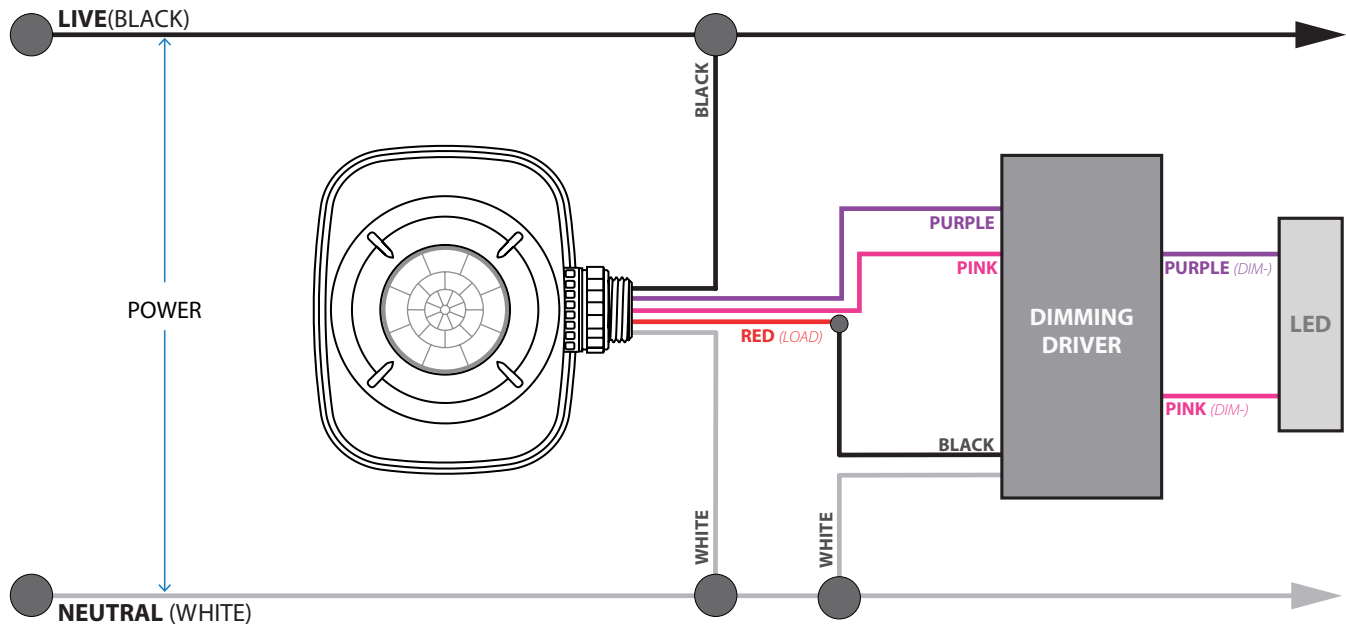
Specifications and dimensions subject to change without notice.



NLC SPEW1WH

NLC Wireless End-Mount PIR/Daylight Sensor

Wiring Diagram



Optic Accessories

90° High Mount, Wide Lens	NLCLHW1WH
77° High Mount, Narrow Lens	NLCLHN1WH
103° Medium Mount, Wide Lens	NLCLMW1WH

**accessories sold separately*