

Lights | Remote Heads | Exit Signs | EM-Drivers | Outdoor  
**LED** Emergency Series



More Choices for **More Applications**

# 18200W & 18202 Wet Location Exit Sign

The 18200W LED Wet Location Emergency Exit Sign is housed in an ABS, corrosion-resistant UV stabilized enclosure making it a durable option for wet location applications. It is available in white with red or green lettering and offers one faceplate, an LED indicator light and a push-to-test switch. The 18200W comes in AC only (18202) or EM battery (18200W) options.

## Construction

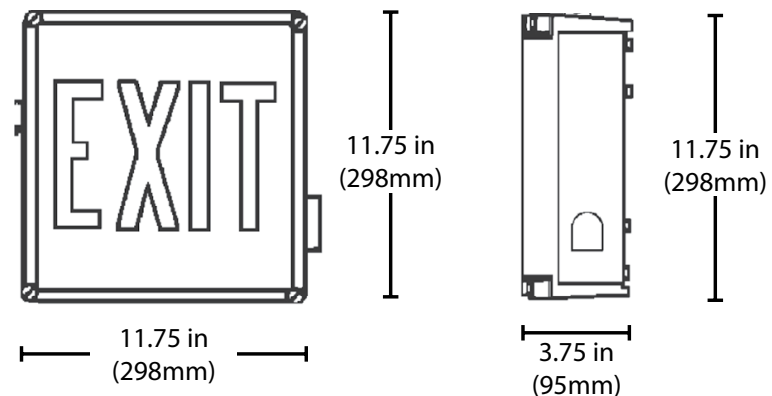
ABS, corrosion-resistant UV stabilized enclosure  
Removable directional indicators  
Wet location listed  
Red or green text with 6" letter height  
Single face configuration only

## Electrical

AC only or self-powered models  
Universal 120/277VAC operation  
Extremely low operating costs  
80-Year light source life expectancy  
Meets NFPA Life Safety 101, NEC,  
OSHA, local and state codes  
Premium grade Ni-Cad rechargeable  
battery (18200 option)  
Operating Temperature: 32°F to 122°F (0°C to +40°C)

## Mounting and Installation

Surface mounting with four screws and anchors  
Top and side knockouts for conduit feed  
Removable snap-out chevron covers  
for directional egress



Product Information	
Input Voltage (VAC)	120/277
Power Draw (W)	4
18200W Only: Emergency Operation	90 minutes minimum



## Applications



The 18200 series are ideal for use in wet locations such as locker rooms, building exteriors, and much more.

## Installation



The 18200 series is housed in an ABS corrosion-resistant UV stabilized enclosure.

The 18200 series comes equipped with a light indicator and a push to test switch.



### 18200 Ordering Information

Series	Housing Color	Lettering	Emergency
18202 (AC Only)	W (White)	LR (Red)	BLANK (AC Only)
18200 (Emergency Battery)		LG (Green)	EM (Emergency Battery)

## Warehouse Locations

Albuquerque, NM  
Atlanta, GA  
Detroit, MI  
Houston, TX  
Indianapolis, IN

Lombard, IL  
Miami, FL  
Syracuse, NY  
Van Nuys, CA

**T 800.821.6283**

F 800.892.8393

[www.nicorlighting.com](http://www.nicorlighting.com)

2200 Midtown Pl. NE  
Albuquerque, NM 87107 USA



LIT-EMFB-10PK

©2019 NICOR® • ALL RIGHTS RESERVED



**NICOR**® | **LED**