

Lights | Remote Heads | Exit Signs | EM-Drivers | Outdoor
LED Emergency Series



More Choices for **More Applications**

18300 Edge-lit LED Recessed Mounted Exit Sign

This recess mount exit sign features long-life and energy-saving LED technology in a low-profile compact design. The 18300 offers T-grid hanger hardware and premium high-output ultra-bright LEDs and optional self-contained battery. The 18300 offers an attractive modern safety signage option for any commercial project.

Construction

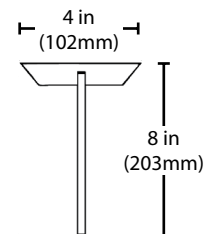
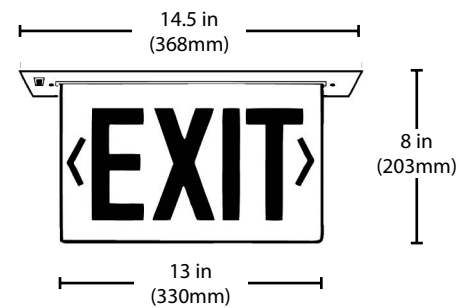
Compact, low-profile design
 Red text with 6" letter height
 Single or double face configuration
 Anodized aluminum housing
 Spec grade
 In-field-installable directional indicators.

Electrical

120/277 VAC
 Energy consumption of less than 3 watts for AC only and less than 5 watts for battery-backup units.
 Emergency operation backup model (EM) is completely self-contained.

Installation

Easy to install T-grid hanger hardware
 Damp Location



Product Information	
Input Voltage (VAC)	120/277
Power Draw (W)	<5 (<3 for AC only)
Emergency Operation	90 minutes minimum



Applications



The 18300 series can be installed in many applications such as data centers, schools, lecture halls, and more.

Installation



The 18300 offers a compact, low-profile design.

The 18300 offers T-grid hanger hardware and anodized aluminum housing.



18300 Ordering Information				
Series	No. of Faces	Lettering/Panel Color	Housing Color	Operation
18300	S (Single)	G (Green, White)	A (Aluminum)	_BLANK (AC Only)
	D (Double)	R (Red, White)	B (Black)	EM (Battery Backup)
			W (White)	

Warehouse Locations

Albuquerque, NM
Atlanta, GA
Detroit, MI
Houston, TX
Indianapolis, IN

Lombard, IL
Miami, FL
Syracuse, NY
Van Nuys, CA

T 800.821.6283

F 800.892.8393

www.nicorlighting.com

2200 Midtown Pl. NE
Albuquerque, NM 87107 USA



LIT-EMFB-10PK

©2019 NICOR® • ALL RIGHTS RESERVED



NICOR® | **LED**