

FLUORESCENT WALL FIXTURE ASSEMBLY & INSTALLATION INSTRUCTIONS

Please read carefully and save these instructions, as you may need them at a later date.

CAUTION

Turn off the main power at the circuit breaker before installing the fixture, in order to prevent possible shock.

GENERAL

All electrical connections must be in accordance with local and national electrical code (N.E.C) standards. If you are unfamiliar with proper electrical wiring connections obtain the services of a qualified electrician.

Remove the fixture and the mounting package from the box and make sure that no parts are missing by referencing the illustrations on the installation instruction.

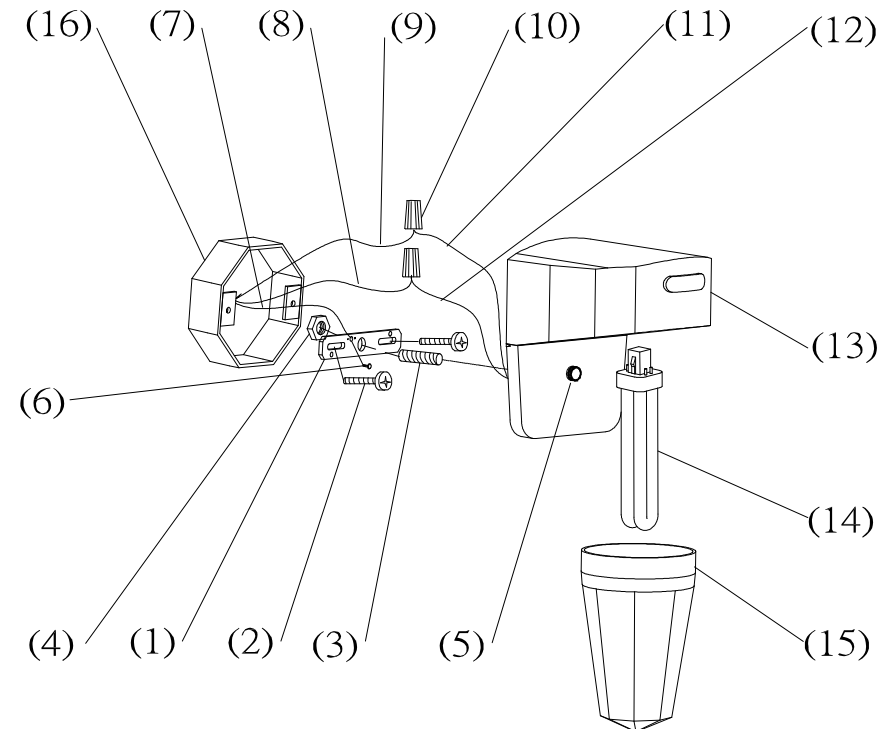
ASSEMBLY AND INSTALLATION

1. Fasten the crossbar(1) to the outlet box(16) by using two mounting screws(2).
2. Put threaded nipple (3) into the center of crossbar(1) and then secure it with the hexagon nut(4).
3. Make wire connections:
 - a. Attach the house ground wire(7) to green screw(6) on the crossbar(1).
 - b. Connect the white supply wire(8) to the white fixture wire(12) by using wire connector(10).
 - c. Connect the black supply wire(9) to the black fixture wire(11) by using wire connector(10).
4. Turn all wires back into outlet box(16).
5. Slip lamp body (13) over the threaded nipple (3) and secure it with knob (5) to the threaded nipple (3).
6. Now you are ready to install lamp (14). Do not exceed the recommend wattage.

7. Screw the diffuser(15) to the lamp body(13) tightly.

INSTALLATION IS NOW COMPLETED

- | | |
|----------------------|------------------------|
| (1)Crossbar | (9)Black supply wire |
| (2)Mounting screw | (10) Wire connector |
| (3)Threaded nipple | (11)Black fixture wire |
| (4)Hexagon nut | (12)White fixture wire |
| (5)Knob | (13)Lamp body |
| (6)Green screw | (14)Lamp |
| (7)House ground wire | (15)Diffuser |
| (8)White supply wire | (16)Outlet box |



RKS012D 09/06/2007