

RISK OF FIRE&ELECTRIC SHOCK
THIS PRODUCT TO BE INSTALLED BY A QUALIFIED ELECTRICIAN ONLY

TURN POWER OFF AT BREAKER BOX
MINIMUM90°C SUPPLY WIRE REQUIRED

STEP1

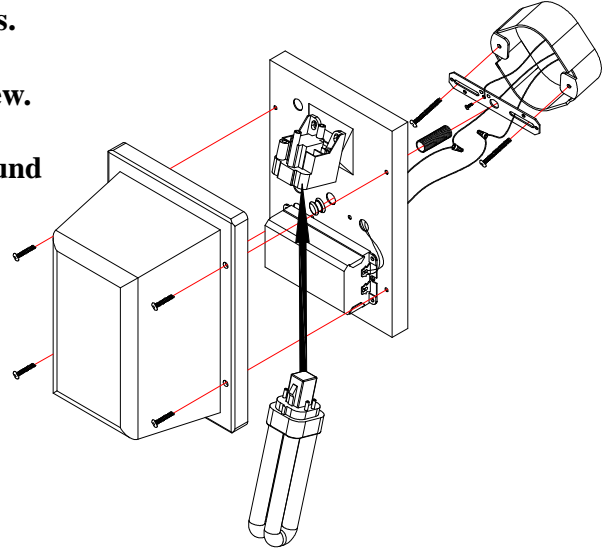
- Fasten cross bar to outlet box with two 8/32"×1-1/2" screws.
- Thread nipple into center of cross bar.
- Attach bare copper wire from fixture to green ground screw.

STEP2

- Attach bare copper wire from the fixture and the house ground wire to green ground screw on the cross bar.
- Connect the white supply wire to the white fixture wire by using wire connector(provided).
- Connect the black supply wire to the black fixture wire by using wire connector(provided)
- Apply electrical tape over wire nuts to cover any bare wire.

STEP3

- Turn all wires back into outlet box.
- Slip fixture pan over the threaded nipple.
- Secure pan with lock nut on the threaded nipple.
- Insert lamp.
- Attach lens to fixture pan with the four screws.



RKS042B 08/29/2007