

*Project* *Comments*

*Catalog #* *Prepared By*

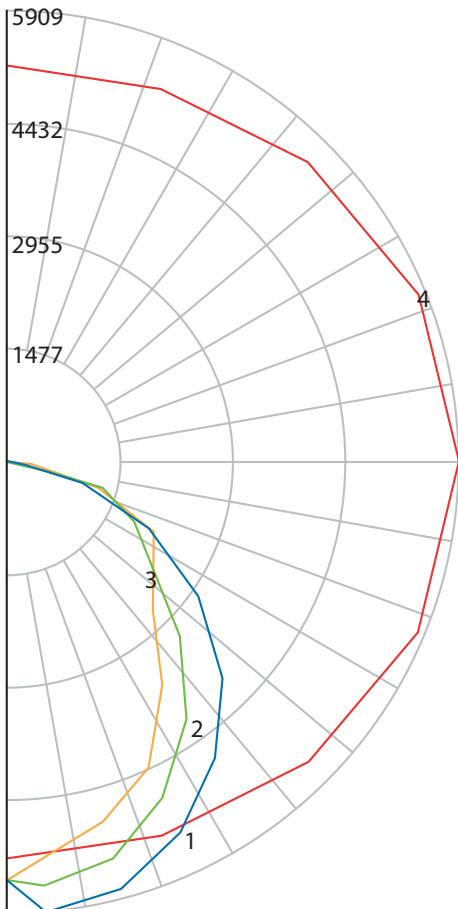
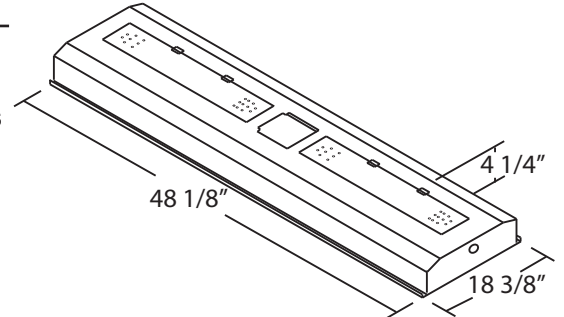
*Type* *Date*



## FEATURES

Linear fluorescent high-bay for high-mounting height industrial or retail applications. Multi-lamp ballast design provides uniform illumination and dependable light output. T8 lamp/ballast system provides instant start and instant re-strike as well as high CRI and various chromatic lamp choices.

- Die-formed heavy 20 gauge steel housing construction.
- Riveted end plates increase housing rigidity and integrity.
- Multiple vents aid lamp/ballast heat dissipation.
- Two access doors with captive knurled screws for tool-less entry open 180° to expose attached ballasts.
- Die-formed aluminum (G320) reflector designed for maximum 86% reflectivity. Secured to housing with fasteners.
- Class P, 60Hz high-power factor ballasts. Ballast factor of 1.15
- Universal 120-277V ballast.
- Includes IDEAL® PowerPlug™ which complies with NEC 410.73(G) and CEC 30-308(4) requirements during ballast disconnect for maintenance safety and reduced service disruption.
- Terminal blocks facilitate secure connections between ballasts and supply wiring.
- Pressure-lock lamp holders for secure lamp installation.
- Includes heavy-gauge chain mounting kit.
- Lamps not included.



### Also Available

20345-120-277V-4100K  
(includes lamps)

### Zonal Lumen Summary

Zone	Lumens	%Lamp	%Fixt
0-30	3074.94	17.4	20.3
0-40	5531.24	31.2	36.6
0-60	10545.29	59.6	69.8
0-90	15113.57	85.4	100

### Options

Occupancy Sensor  
Wire Guard  
6' power cord and plug  
347-480V and 4100K

### Luminance Data

Angle In Degrees	Average 0-Deg	Average 45-Deg	Average 90-Deg
45	10441	8393	7064
55	9885	7357	7635
65	8941	8024	9305
75	7286	9191	8797
85	4935	6531	6744

### Polar Graph

Maximum Candela = 5909 Located at Horizontal Angle = 0, Vertical Angle = 5  
 #1 - Vertical Plane through Horizontal Angles (0-180) (Through Max. Cd.): Blue  
 #2 - Vertical Plane through Horizontal Angles (45-225): Green  
 #3 - Vertical Plane through Horizontal Angles (90-270): Orange  
 #4 - Vertical Plane through Horizontal Angles (5) (Through Max. Cd.): Red