

20346

4-lamp T5HO High Bay (No-Hassle)

Product Description

Linear fluorescent high-bay for high-mounting height industrial or retail applications. Multi-lamp ballast design provides uniform illumination and dependable light output. T8 lamp/ballast system provides instant start and instant re-strike as well as high CRI and various chromatic lamp choices.

Construction

- Die-formed heavy 20 gauge steel housing construction.
- Riveted end plates increase housing rigidity and integrity.
- Multiple vents aid lamp/ballast heat dissipation.
- Two access doors with captive knurled screws for tool-less entry open 180° to expose attached ballasts.

Optical System

Die-formed aluminum (G320) reflector designed for maximum 86% reflectivity. Secured to housing with fasteners.

Electrical

- Class P, 60Hz high-power factor ballasts. Ballast factor of 1.15
- Universal 120-277V ballast.
- Includes IDEAL® PowerPlug™ which complies with NEC 410.73(G) and CEC 30-308(4) requirements during ballast disconnect for maintenance safety and reduced service disruption.
- Terminal blocks facilitate secure connections between ballasts and supply wiring.
- Pressure-lock lamp holders for secure lamp installation.

Installation

Includes heavy-gauge chain mounting kit.

Ordering Information

Model	Description
20346-120-277V	4-lamp T5HO High Bay (No-Hassle)
Also available:	
20346-120-277V-4100K	4-lamp T5HO High Bay (includes lamps)
20346WG-120-277V	4-lamp T5HO High Bay (includes wire guard)
20346WG-120-277V-4100K	4-lamp T5HO High Bay (includes wire guard and lamps)
20346-347-480V	4-lamp T5HO High Bay (480V ballast)
20346-347-480V-4100K	4-lamp T5HO High Bay (includes lamps)

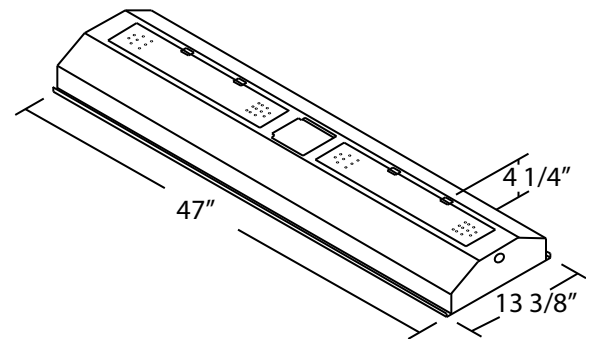
Options

Model
Occupancy Sensor
Wire Guard
6' power cord and plug 347-480V and 4100K

Project

Catalog

Type



20436 | 4-Lamp T5HO High Bay

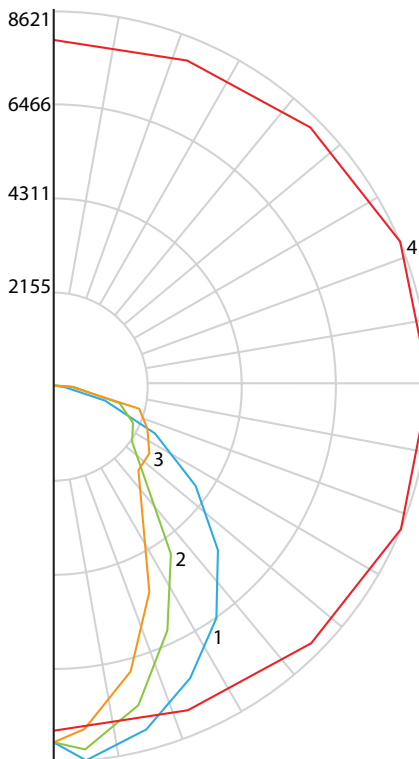
Zone	Lumens	%Lamp	%Fixt
0-30	4288.5	21.4	23.5
0-40	7329.44	36.6	40.2
0-60	12919.7	64.6	70.8
0-90	18240.45	91.2	100

Zonal Lumen Summary**

Angle In Degrees	Average 0-Deg	Average 45-Deg	Average 90-Deg
45	22511	12888	11621
55	20742	11519	14035
65	18136	14228	16836
75	14011	18154	23463
85	7540	17582	14497

*Integrating sphere data

**Type C Goniophotometer data



Polar Graph

Maximum Candela = 8621 Located at Horizontal Angle = 0, Vertical Angle = 5

#1 - Vertical Plane through Horizontal Angles (0-180) (Through Max. Cd.): Blue

#2 - Vertical Plane through Horizontal Angles (45-225): Green

#3 - Vertical Plane through Horizontal Angles (90-270): Orange

#4 - Vertical Plane through Horizontal Angles (5) (Through Max. Cd.): Red