

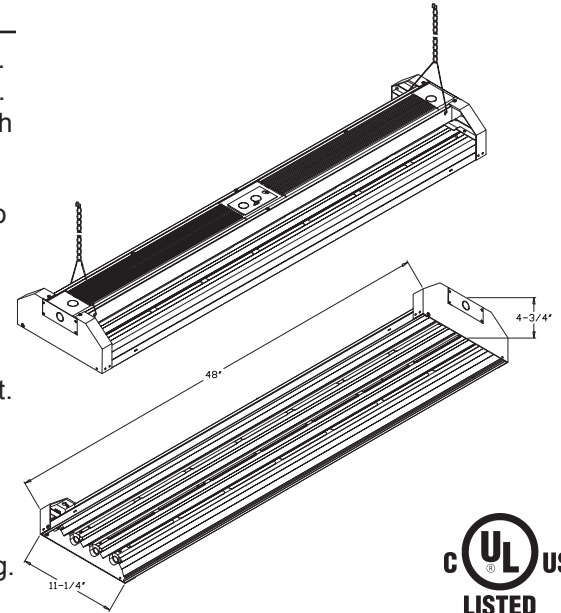
<i>Project</i>	<i>Comments</i>
<i>Catalog #</i>	<i>Prepared By</i>
<i>Type</i>	<i>Date</i>



FEATURES

Linear fluorescent high-bay for high-mounting height industrial or retail applications. Multi-lamp ballast design provides uniform illumination and dependable light output. T5HO lamp/ballast system provides instant start and instant re-strike as well as high CRI and various chromatic lamp choices.

- Riveted end plates increase housing rigidity and integrity.
- Two access doors with captive knurled screws for tool-less entry open 180° to expose attached ballasts.
- Die-formed aluminum (G320) reflector designed for maximum 86% reflectivity. Secured to housing with fasteners.
- Die formed aluminum construction dissipates heat away from ballast to extend life.
- Slotted reflector moves heat away from lamps and provides up-light component.
- Class P, 60Hz high-power factor ballasts. Ballast factor of 1.15
- 120-277V or 480V Universal input Electronic Ballast.
- Includes IDEAL® PowerPlug™ which complies with NEC 410.73(G) and CEC 30-308(4) requirements during ballast disconnect for maintenance safety and reduced service disruption.
- Terminal blocks facilitate secure connections between ballasts and supply wiring.
- Pressure-lock lamp holders for secure lamp installation.
- Includes heavy-gauge chain mounting kit.
- Lamps not included.



Also Available

- 20546-120-277V-4100K
(includes lamps)
- 20546WG-120V
(includes wire guard)
- 20546-347-480V
(480V ballast)
- 20546-347-480V-4100K
(includes lamps)

Options

- Occupancy Sensor
- Wire Guard
- 6' power cord and plug
- 347-480V and 4100K