

20547-120/277V

6-lamp T5HO High Bay (Aluminator)

Product Description

Linear fluorescent high-bay for high-mounting height industrial or retail applications. Multi-lamp ballast design provides uniform illumination and dependable light output. T5HO lamp/ballast system provides instant start and instant re-strike as well as high CRI and various chromatic lamp choices.

Construction

Riveted end plates increase housing rigidity and integrity.
Two access doors with captive knurled screws for tool-less entry open 180° to expose attached ballasts.
Die-formed aluminum (G320) reflector designed for maximum 86% reflectivity. Secured to housing with fasteners.
Die formed aluminum construction dissipates heat away from ballast to extend life.
Slotted reflector moves heat away from lamps and provides up-light component.

Electrical

Class P, 60Hz high-power factor ballasts. Ballast factor of 1.15
120-277V or 480V Universal input Electronic Ballast.
Includes powerplug which complies with NEC 410.73(G) and CEC 30-308(4) requirements during ballast disconnect for maintenance safety and reduced service disruption.

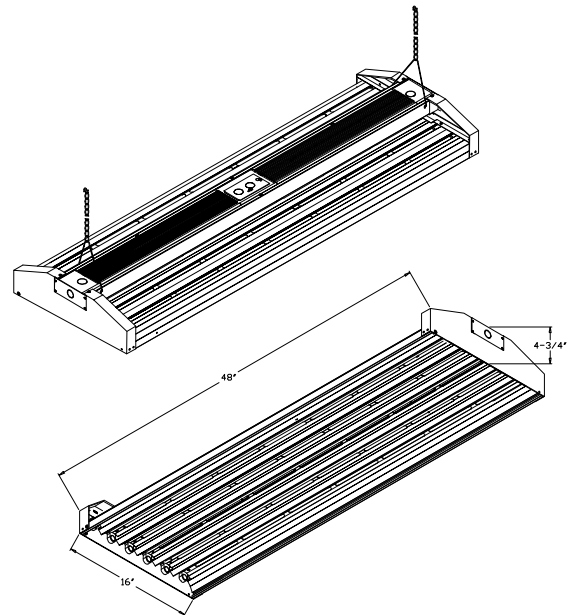
Installation

Terminal blocks facilitate secure connections between ballasts and supply wiring.
Pressure-lock lamp holders for secure lamp installation.
Includes heavy-gauge chain mounting kit.
Lamps not included.

Project

Catalog

Type



Ordering Information

	Options
20547-120-277V-4100K (includes lamps)	Occupancy Sensor
20547-347-480V (480V ballast)	Wire Guard
20547-347-480V-4100K (includes lamps)	6' power cord and plug
	347-480V and 4100K