

Project *Comments*

Catalog # *Prepared By*

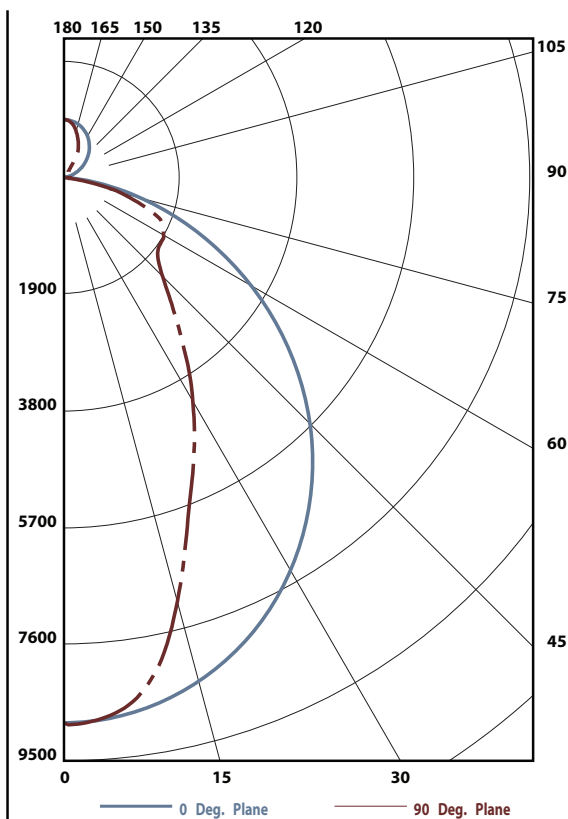
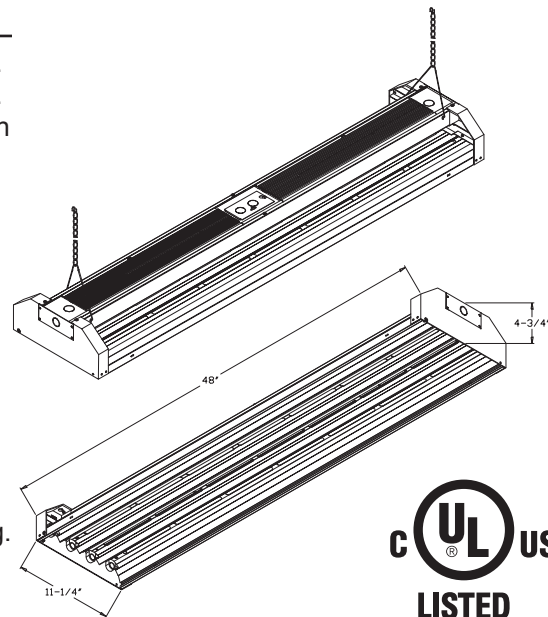
Type *Date*



FEATURES

Linear fluorescent high-bay for high-mounting height industrial or retail applications. Multi-lamp ballast design provides uniform illumination and dependable light output. T5HO lamp/ballast system provides instant start and instant re-strike as well as high CRI and various chromatic lamp choices.

- Riveted end plates increase housing rigidity and integrity.
- Two access doors with captive knurled screws for tool-less entry open 180° to expose attached ballasts.
- Mirror 4 Reflector designed for maximum 95% reflectivity. Secured to housing with fasteners.
- Die formed aluminum construction dissipates heat away from ballasts to extend life.
- Slotted reflector moves heat away from lamps and provides up-light component.
- Class P, 60Hz high-power factor ballasts. Ballast factor of 1.0
- 120-277V or 480V Universal input Electronic Ballast.
- Includes IDEAL® PowerPlug™ which complies with NEC 410.73(G) and CEC 30-308(4) requirements during ballast disconnect for maintenance safety and reduced service disruption.
- Terminal blocks facilitate secure connections between ballasts and supply wiring.
- Pressure-lock lamp holders for secure lamp installation.
- Includes heavy-gauge chain mounting kit.
- Lamps not included.



Also Available

- 20548-120-277V-4100K (includes lamps)
- 20548WG-120-277V (includes wire guard)
- 20548-347-480V (480V ballast)
- 20548-347-480V-4100K (480V ballast w/lamps)

Options

- Occupancy Sensor
- Wire Guard
- 6' power cord and plug
- 347-480V and 4100K

Zonal Lumen Summary

Zone	Lumens	%Lamp	%Fixt
0-30	5915.1	33.6	33.4
0-40	8861.5	50.3	50.0
0-60	13492.0	76.7	76.1
0-90	16279.7	92.5	91.9
0-180	17720.9	100.7	100

Luminance Data

Angle In Degrees	Average 0-Deg	Average 45-Deg	Average 90-Deg
45	28497	14194	11450
55	26454	10862	11828
65	23270	11489	14858
75	17924	13512	12903
85	6657	2730	3942