

Project **Comments**

Catalog # **Prepared By**

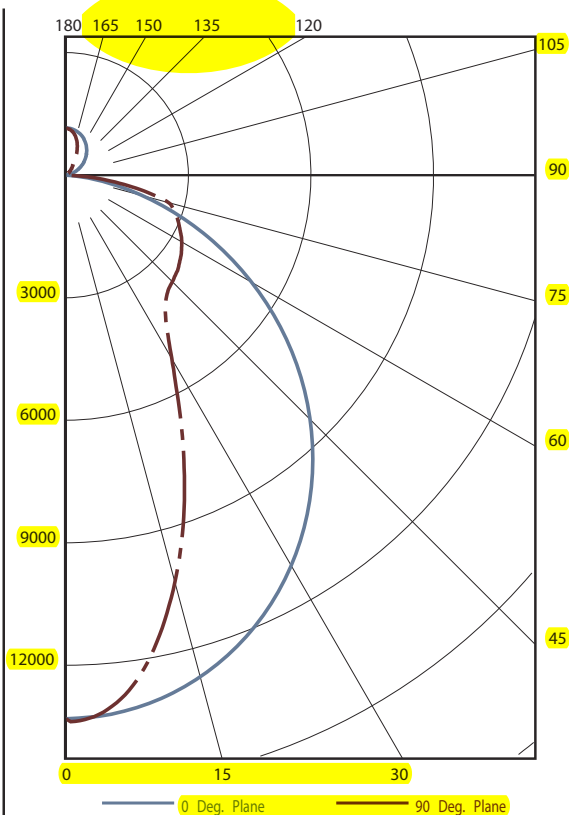
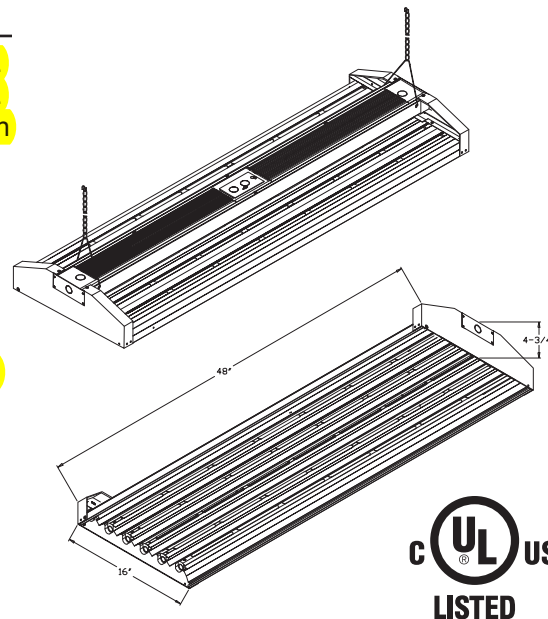
Type **Date**



FEATURES

Linear fluorescent high-bay for high-mounting height industrial or retail applications. Multi-lamp ballast design provides uniform illumination and dependable light output. T5HO lamp/ballast system provides instant start and instant re-strike as well as high CRI and various chromatic lamp choices.

- Riveted end plates increase housing rigidity and integrity.
- Two access doors with captive knurled screws for tool-less entry open 180° to expose attached ballasts.
- Mirror 4 Reflector designed for maximum 95% reflectivity. Secured to housing with fasteners.
- Die formed aluminum construction dissipates heat away from ballasts to extend life.
- Slotted reflector moves heat away from lamps and provides up-light component.
- Class P, 60Hz high-power factor ballasts. Ballast factor of 1.0
- 120-277V or 480V Universal input Electronic Ballast.
- Includes IDEAL® PowerPlug™ which complies with NEC 410.73(G) and CEC 30-308(4) requirements during ballast disconnect for maintenance safety and reduced service disruption.
- Terminal blocks facilitate secure connections between ballasts and supply wiring.
- Pressure-lock lamp holders for secure lamp installation.
- Includes heavy-gauge chain mounting kit.
- Lamps not included.



Also Available

- 20549-120-277V-4100K (includes lamps)
- 20549-347-480V (480V ballast)
- 20549-347-480V-4100K (480 ballast w/lamps)

Options

- Occupancy Sensor
- Wire Guard
- 6' power cord and plug
- 347-480V and 4100K

Zonal Lumen Summary

Zone	Lumens	%Lamp	%Fixt
0-30	8523.5.1	32.3	32.3
0-40	12547.3	47.5	47.5
0-60	19402.5	73.5	73.5
0-90	24722.7	93.6	93.7
0-180	26395.3	100	100

Luminance Data

Angle In Degrees	Average 0-Deg	Average 45-Deg	Average 90-Deg
45	27713	11622	12085
55	25736	11496	13893
65	22617	13271	16862
75	17471	17315	23357
85	6735	16181	16648