

<i>Project</i>	<i>Comments</i>
<i>Catalog #</i>	<i>Prepared By</i>
<i>Type</i>	<i>Date</i>



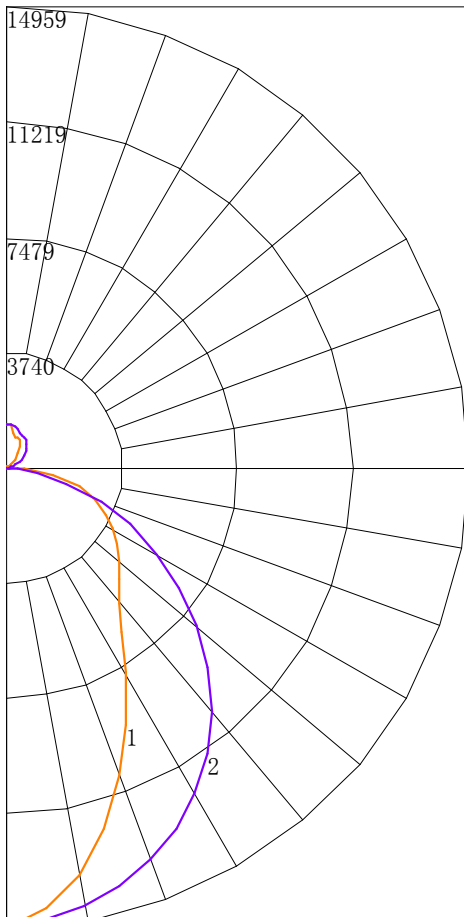
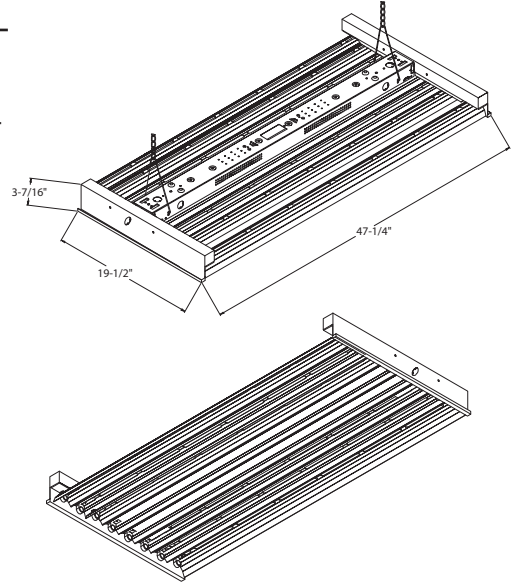
FEATURES

Linear fluorescent high-bay for high-mounting height industrial or retail applications. Multi-lamp ballast design provides uniform illumination and dependable light output. T5/HO lamp/ballast system provides programmed start as well as high CRI and various chromatic lamp choices.

- 20 gauge steel housing with durable powder coat finish to resist corrosion.
- Open design improves thermal operation and ballast life.
- Apertured reflector provides up-light component and removes heat.
- Die-formed aluminum (G320) reflector designed for maximum 86% reflectivity.

Secured to housing with fasteners.

- Class P, 60Hz high-power factor ballasts. Ballast factor of 1.0
- Universal 120-277V ballast.
- Includes IDEAL® PowerPlug™ which complies with NEC 410.73(G) and CEC 30-308(4) requirements during ballast disconnect for maintenance safety and reduced service disruption.
- Pressure-lock lamp holders for secure lamp installation.
- Includes heavy-gauge chain mounting kit.
- Lamps not included.



Also Available

20858-120-277V-4100K
(includes lamps)

Options

Occupancy Sensor
Wire Guard
6' power cord and plug
4100K

Zonal Lumen Summary

Zone	Lumens	%Lamp	%Fixt
0-30	10088.98	28.9	30.8
0-40	15350.46	44	46.8
0-60	24402.89	70	74.4
0-90	30494.81	87.5	93

Luminance Data

Angle In Degrees	Average 0-Deg	Average 45-Deg	Average 90-Deg
45	21282	12749	11898
55	19507	11512	12451
65	17049	12020	13807
75	12715	13238	15255
85	6520	10103	11082

Polar Graph

Max. Candela = 11527.17 Located at Horizontal Angle = 0, Vertical Angle = 0
#1 - Vertical Plane through Horizontal Angles (90-270)
#2 - Vertical Plane through Horizontal Angles (0-180)