

CDL6

6 Commercial LED Downlight

Product Description

The CDL6 is a great lighting solution for all commercial, retail, and institutional applications where high efficiency, low energy lighting is desired in places such as corridors, conference rooms, lobbies, and large offices. The CDL6 is an 6" recessed LED commercial downlight, suitable for all new construction projects. Constructed with a durable galvanized steel frame, with adjustable hanger bars to fit securely into most spaces.

Features

Cree® TrueWhite® Technology

> 90 CRI for all available CCTs

0-10V dimming available

UL approved & T24 compliant

> 70 lumens per Watt

5 Year limited warranty

Complete warranty details can be found at:
<http://nicorlighting.com>

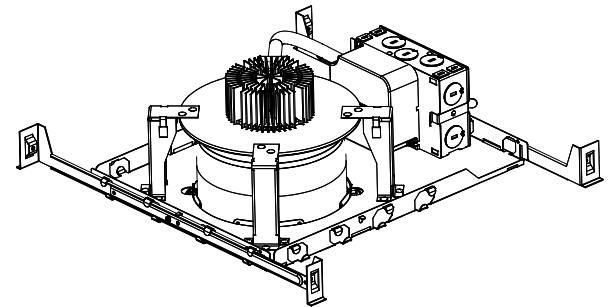
PRODUCT INFORMATION

LED Type:	Cree TrueWhite® Technology
LED Lifetime (Hrs):	> 36,300
Input Voltage (V)	See Table
Power Draw (W)	See Table
Fixture Height: w/o heatsink	4 1/8" (105mm)
with heatsink	5 5/8" (143mm)
Length:	13-1/2" (345mm)
Width:	10-3/8"(263mm)

Project

Catalog

Type



Ordering Information

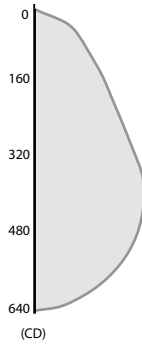
Example: CDL6-20-UNV-30K-CT

Series	Lumens	Voltage	AC Power	CCT's	Reflector
CDL6	08 (850)	120 (Triac Dimming)	11W	27K (2700)	CL (clear)
	12 (1250)	277 (Non-Dimmable)	17W	30K (3000)	WH (white)
	20 (2000)	UNV (120-277V, 0/1-10V Dimming)	25W	35K (3500)	
	30 (3000)		36W	40K (4000)	

Photometric Data

3500K CDL6 1106lm*

Luminaire	3500K
Input Voltage (VAC)	120
System Level Power (W)	15.97
Delivered Lumens (Lm)	1106.42
System Efficacy (Lm/W)	69.29
Correlated Color Temp (K)	3501
Color Rendering Index (CRI)	90.86



Zonal Lumen Summary**

Zone	Lumens	% of Luminaire
0-30	440.20	39.80%
0-40	648.30	58.60%
0-60	925.13	83.60%
0-90	1106.42	100.00%
90-180	0	0.00%
0-180	1106.42	100.00%

*Integrating sphere data
**Type C Goniophotometer data