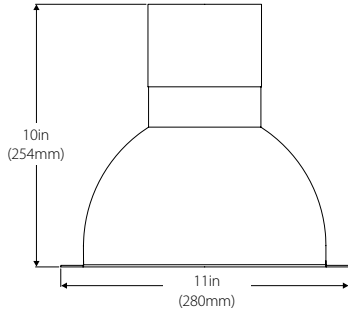


# CDR10

## 10" LED COMMERCIAL DOWNLIGHT RETROFIT

### DIMENSIONS



The CDR Series offer Recessed LED Commercial Retrofit Kits designed to replace less efficient, traditional lighting fixtures. This retrofit kit can replace most manufacturers incandescent, CFL, or HID fixtures. Easy conversion and installation can be performed from below the ceiling without removing the existing frame. The CDR Series is a great lighting solution for all commercial, retail, and institutional applications where high efficiency, low energy lighting is desired.

### FEATURES

- Spun aluminum reflector with integrated white trim and satin finish
- Aluminum heat sink routes heat away from electrical components
- Highly reflective faceted optical cone and textured diffuser create a uniform distribution of light
- Driver delivers full-range dimming from 0 - 10V
- External driver ensures steady performance and long lifespan
- Operating temperature rating of -68°F to 122°F (-20°C to 50°C)
- Universal input 120-277V
- TM-21 calculated L70(6k) Lifetime greater than 36,000 hrs
- LM-80 testing performed in accordance to IESNA standards
- Satin aluminum reflector with integrated white trim
- Integrated safety cable
- 5 year warranty

### ORDERING INFORMATION

Example: CDR10-40W-40K-SN

Series	AC Power (W)	CCT's	Reflector
CDR10*	40W (2900 Lm)	35K (3500)	SN (Satin)
	54W (4100 Lm)	40K (4000)	

\* only available as special order. Contact NICOR for more info.

