

CDR10

10" Commercial LED Downlight Retrofit

Product Description

The CDR10 is an 10 inch Recessed LED Commercial Retrofit Kit, designed to replace less efficient, traditional lighting fixtures with energy efficient LEDs. This 10 inch retrofit kit can replace most manufacturers incandescent, CFL, or HID fixtures with apertures of 9.25" min. to 9.8" max diameter. Easy conversion and installation can be performed from below the ceiling without removing the existing frame. The CDR10 is a great lighting solution for all commercial, retail, and institutional applications where high efficiency, low energy lighting is desired.

Construction

Spun aluminum reflector with integrated white trim and satin finish
Aluminum heat sink routes heat away from electrical components

Optical System

Highly reflective faceted optical cone and textured diffuser create a uniform distribution of light

Electrical

Driver delivers full-range dimming from 0 - 10VDC
External driver ensures steady performance and long lifespan
Operating temperature rating of -68°F to 122°F (-20°C to 50°C)
Universal input 120-277VAC
LM-80 testing performed in accordance to IESNA standards

Finish

Satin aluminum reflector with integrated white trim

Installation

Easy installation into most 10" incandescent or fluorescent frames
Integrated safety cable

Warranty

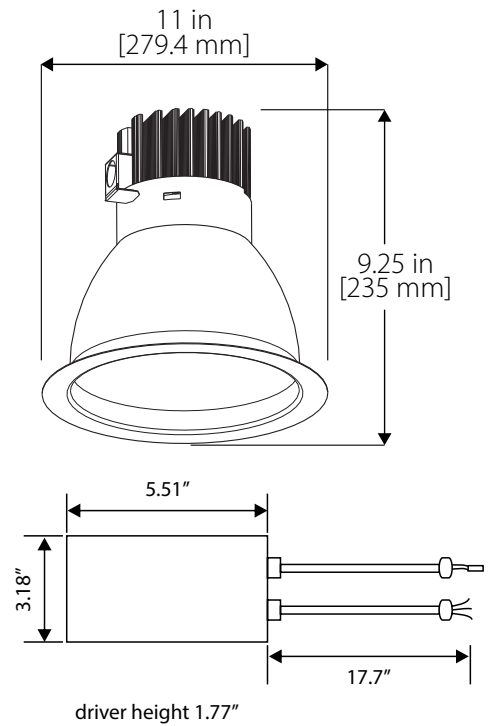
5-year limited system warranty standard
• Warranty does not cover product failure due to an overvoltage event (power surge.)
For installations where power surge may be possible, NICOR recommends installing additional surge protection at the fixture or electrical distribution panel

Project

Catalog

Type

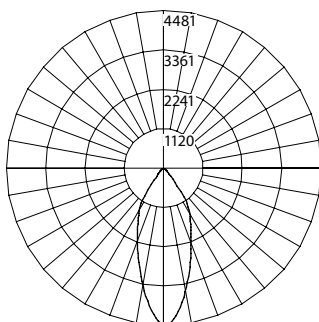
Date



Photometric Data

CDR10 3500K 40W

Input Voltage (VAC)	120-277V
System Level Power (W)	39.7
Delivered Lumens (Lm)	2797
System Efficacy (Lm/W)	70.5
Correlated Color Temp (K)	3985
Color Rendering Index (CRI)	81
Beam Angle	39.9°
Spacing Criteria	0.62



Intensity Summary (Candle Power)

Angle	Mean CP
0	4473
5	4151
15	2841
25	1800
35	1056
45	180
55	50
65	18
75	7
85	1
90	0

CCT Data Multiplier

CDR10-40W-UNV-40K	1.015
CDR10-40W-UNV-50K	1.036

Cone of Light Tabulation

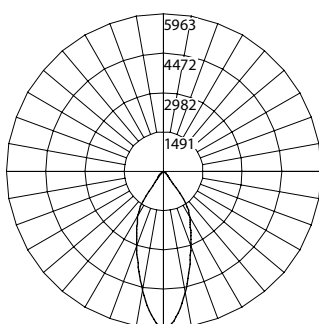
Mounted height (Feet)	Footcandles Beam Center	Diameter (Feet)
4	279.6	2.8
6	124.3	3.9
8	69.9	5.3
10	44.7	6.6
12	31.1	7.8
14	22.8	9.2
16	17.5	10.4

Zonal Lumen Summary

Zone	Lumens	% of Luminaire
0-30	1991	71.2%
0-40	2576	92.1%
0-60	2769	99.0%
0-90	2797	100.0%
90-180	0	0.0%
0-180	2797	100.0%

CDR10 3500K 54W

Input Voltage (VAC)	120-277V
System Level Power (W)	57.2
Delivered Lumens (Lm)	3797
System Efficacy (Lm/W)	66.4
Correlated Color Temp (K)	3491
Color Rendering Index (CRI)	81
Beam Angle	40.7°
Spacing Criteria	0.64



Intensity Summary (Candle Power)

Angle	Mean CP
0	5935
5	5520
15	3792
25	2444
35	1439
45	250
55	70
65	25
75	9
85	2
90	0

CCT Data Multiplier

CDR10-54W-UNV-40K	1.015
CDR10-54W-UNV-50K	1.036

Cone of Light Tabulation

Mounted height (Feet)	Footcandles Beam Center	Diameter (Feet)
4	370.9	2.8
6	164.9	3.9
8	92.7	5.3
10	59.4	6.6
12	41.2	7.8
14	30.3	9.2
16	23.2	10.5

Zonal Lumen Summary

Zone	Lumens	% of Luminaire
0-30	2678	70.5%
0-40	3488	91.9%
0-60	3758	99.0%
0-90	3796	100.0%
90-180	0	0.0%
0-180	3797	100.0%

Fixture tested per LM-79-08. Photometric data is of the performance of a representative fixture. Results may vary in the field.

Performance Data

Model Number	Lumens	Watts	Lumens/Watt
CDR10-40W-UNV-35K	2797	39.7	70.5
CDR10-40W-UNV-40K	2840	39.7	71.5
CDR10-40W-UNV-50K	2897	39.7	73.0
CDR10-54W-UNV-35K	3797	57.2	66.4
CDR10-54W-UNV-40K	3855	57.2	67.4
CDR10-54W-UNV-50K	3932	57.2	68.7

Recommended Dimmers*

Lutron NTSTV
Lutron DVSTV
Cooper SF10P
Legrand RH4FBL3PW

*Not a complete list. Check compatibility before installation.

Ordering Information

Example: CDR10-40W-35K-SN

Series	Wattage	CCT	Reflector
CDR10	40W	35K (3500 K)*	SN (Satin)
	54W	40K (4000 K)*	
		50K (5000 K)*	

Specifications and dimensions subject to change without notice.

*Only available as special order. Contact NICOR for more info.