

CDR4

4" Commercial LED Downlight Retrofit

Product Description

The CDR4 is an 4 inch Recessed LED Commercial Retrofit Kit, designed to replace less efficient, traditional lighting fixtures with energy efficient LEDs. This 4 inch retrofit kit can replace most manufacturers incandescent, CFL, or HID fixtures with apertures of 4.1" min. to 4.7" max diameter. Easy conversion and installation can be performed from below the ceiling without removing the existing frame. The CDR4 is a great lighting solution for all commercial, retail, and institutional applications where high efficiency, low energy lighting is desired.

Construction

Spun aluminum reflector with integrated white trim and satin finish
Aluminum heat sink routes heat away from electrical components

Optical System

Highly reflective faceted optical cone and textured diffuser create a uniform distribution of light

Electrical

Driver delivers full-range dimming from 0 - 10VDC
External driver ensures steady performance and long lifespan
Operating temperature rating of -68°F to 122°F (-20°C to 50°C)
Universal input 120-277VAC
LM-80 testing performed in accordance to IESNA standards

Finish

Satin aluminum reflector with integrated white trim

Installation

Easy installation into most 6" incandescent or fluorescent frames
Integrated safety cable

Warranty

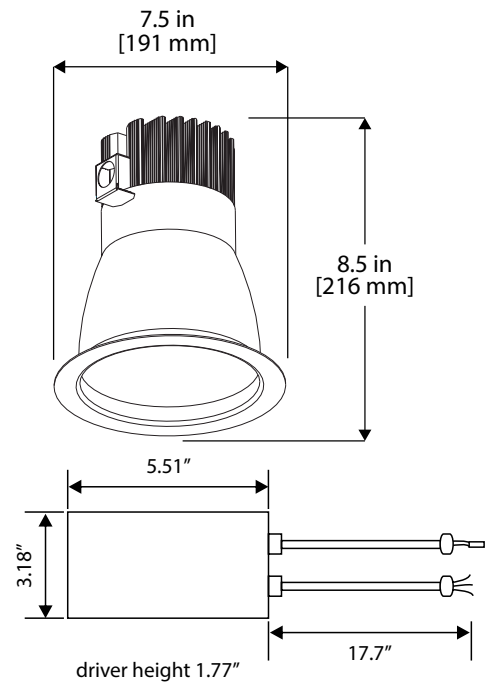
5-year limited system warranty standard
• Warranty does not cover product failure due to an overvoltage event (power surge.)
For installations where power surge may be possible, NICOR recommends installing additional surge protection at the fixture or electrical distribution panel

Project

Catalog

Type

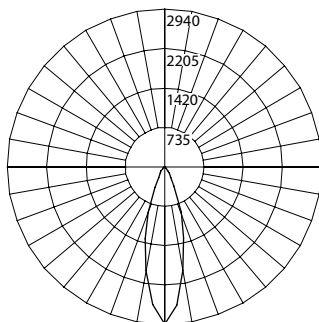
Date



Photometric Data

CDR4 3500K 14W

Input Voltage (VAC)	120-277V
System Level Power (W)	14.1
Delivered Lumens (Lm)	1005
System Efficacy (Lm/W)	71.3
Correlated Color Temp (K)	3490
Color Rendering Index (CRI)	81
Beam Angle	28.7°
Spacing Criteria	0.48



Intensity Summary (Candle Power)

Angle	Mean CP
0	2940
5	2596
15	1389
25	408
35	146
45	56
55	19
65	7
75	2
85	0
90	0

CCT Data Multiplier

CDR4-14W-UNV-40K 1.016

Cone of Light Tabulation

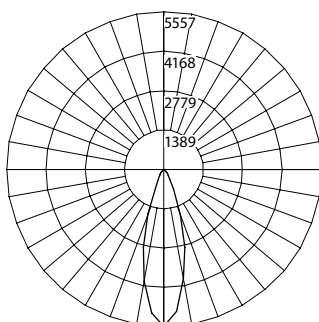
Mounted height (Feet)	Footcandles Beam Center	Diameter (Feet)
4	183.8	1.9
6	81.7	2.9
8	45.9	3.8
10	29.4	4.8
12	20.4	5.7
14	15.0	6.6
16	11.5	7.6

Zonal Lumen Summary

Zone	Lumens	% of Luminaire
0-30	837	83.2%
0-40	932	92.7%
0-60	995	99.0%
0-90	1005	100.0%
90-180	0	0.0%
0-180	1005	100.0%

CDR4 3500K 27W

Input Voltage (VAC)	120-277V
System Level Power (W)	27.1
Delivered Lumens (Lm)	1935
System Efficacy (Lm/W)	71.4
Correlated Color Temp (K)	3497
Color Rendering Index (CRI)	81
Beam Angle	31°
Spacing Criteria	0.52



Intensity Summary (Candle Power)

Angle	Mean CP
0	5557
5	5076
15	2876
25	752
35	254
45	100
55	31
65	11
75	4
85	1
90	0

CCT Data Multiplier

CDR4-14W-UNV-40K 1.016

Cone of Light Tabulation

Mounted height (Feet)	Footcandles Beam Center	Diameter (Feet)
4	347.3	2.0
6	154.4	3.1
8	86.8	4.0
10	55.6	5.0
12	38.6	6.0
14	28.4	7.0
16	21.7	8.0

Zonal Lumen Summary

Zone	Lumens	% of Luminaire
0-30	1644	84.9%
0-40	1809	93.5%
0-60	1919	99.1%
0-90	1935	100.0%
90-180	0	0.0%
0-180	1935	100.0%

Fixture tested per LM-79-08. Photometric data is of the performance of a representative fixture. Results may vary in the field.

Performance Data

Model Number	Lumens	Watts	Lumens/Watt
CDR4-14W-UNV-35K	1005	14.1	71.3
CDR4-14W-UNV-40K	1021	14.1	72.4
CDR4-27W-UNV-35K	1935	27.1	71.4
CDR4-27W-UNV-40K	1965	27.1	72.5

Recommended Dimmers*

Lutron NTSTV
Lutron DVSTV
Cooper SF10P
Legrand RH4FBL3PW

*Not a complete list. Check compatibility before installation.

Ordering Information

Example: CDR4-14W-35K-SN

Series	Wattage	CCT	Reflector
CDR4	14W	35K (3500 K)*	SN (Satin)
	27W	40K (4000 K)*	

Specifications and dimensions subject to change without notice.

*Only available as special order. Contact NICOR for more info.