

CDR6

6" Commercial LED Downlight Retrofit

Product Description

The CDR6 is a 6 inch Recessed LED Commercial Retrofit Kit, designed to replace less efficient, traditional lighting fixtures with energy efficient LEDs. This 6 inch retrofit kit can replace most manufacturers incandescent, CFL, or HID fixtures with apertures of 6.1" min. to 6.7" max diameter. Easy conversion and installation can be performed from below the ceiling without removing the existing frame. The CDR6 is a great lighting solution for all commercial, retail, and institutional applications where high efficiency, low energy lighting is desired.

Construction

- Spun aluminum reflector with integrated trim
- Aluminum heat sink routes heat away from electrical components

Optical System

- Highly reflective faceted optical cone and textured diffuser create a uniform distribution of light

Electrical

- Driver delivers full-range dimming from 0 - 10VDC
- External driver ensures steady performance and long lifespan
- Operating temperature rating of -4°F to 122°F (-20°C to 50°C)
- Universal input 120-277VAC
- LM-80 testing performed in accordance to IESNA standards

Finish

- Satin aluminum reflector with integrated white trim

Installation

- Easy installation into most 6" incandescent or fluorescent frames
- Integrated safety cable

Warranty

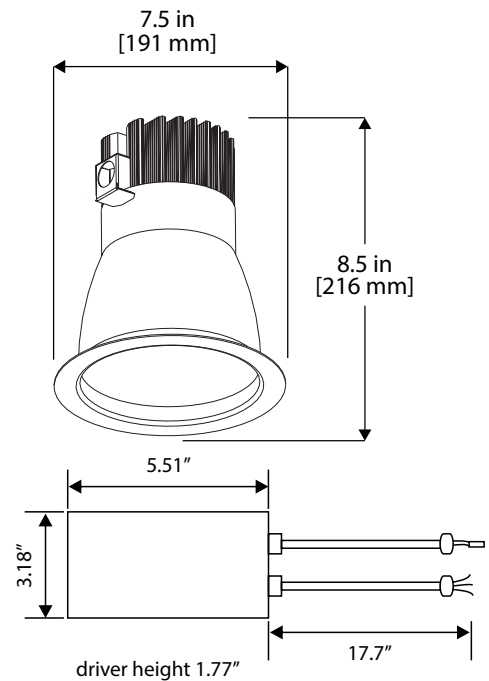
- 5-year limited system warranty standard
 - Warranty does not cover product failure due to an overvoltage event (power surge.)
- For installations where power surge may be possible, NICOR recommends installing additional surge protection at the fixture or electrical distribution panel

Project _____

Catalog _____

Type _____

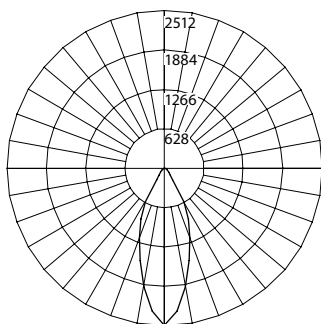
Date _____



Photometric Data

CDR6 3500K 18W

Input Voltage (VAC)	120-277V
System Level Power (W)	18.0
Delivered Lumens (Lm)	1349
System Efficacy (Lm/W)	74.9
Correlated Color Temp (K)	3489
Color Rendering Index (CRI)	81
Beam Angle	38.1°
Spacing Criteria	0.60



Intensity Summary (Candle Power)

Angle	Mean CP
0	2512
5	2293
15	1529
25	899
35	221
45	88
55	32
65	12
75	4
85	1
90	0

CCT Data Multiplier

CDR6-18W-40K-SN	1.016
CDR6-18W-50K-SN	1.036

Cone of Light Tabulation

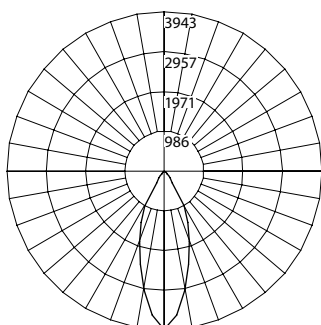
Mounted height (Feet)	Footcandles Beam Center	Diameter (Feet)
4	157.0	2.5
6	69.8	3.6
8	39.2	4.8
10	25.1	5.9
12	17.4	7.2
14	12.8	8.3
16	9.8	9.6

Zonal Lumen Summary

Zone	Lumens	% of Luminaire
0-30	1048	77.6%
0-40	1230	91.2%
0-60	1331	98.7%
0-90	1349	100.0%
90-180	0	0.0%
0-180	1349	100.0%

CDR6 3500K 27W

Input Voltage (VAC)	120-277V
System Level Power (W)	27.0
Delivered Lumens (Lm)	2143
System Efficacy (Lm/W)	79.4
Correlated Color Temp (K)	3493
Color Rendering Index (CRI)	81
Beam Angle	37.8°
Spacing Criteria	0.60



Intensity Summary (Candle Power)

Angle	Mean CP
0	3943
5	3605
15	2393
25	1401
35	347
45	145
55	60
65	26
75	10
85	2
90	0

CCT Data Multiplier

CDR6-27W-40K-SN	1.015
CDR6-27W-50K-SN	1.036

Cone of Light Tabulation

Mounted height (Feet)	Footcandles Beam Center	Diameter (Feet)
4	246.4	2.5
6	109.5	3.6
8	61.6	4.8
10	39.4	5.9
12	27.4	7.1
14	20.1	8.3
16	15.4	9.5

Zonal Lumen Summary

Zone	Lumens	% of Luminaire
0-30	1642	76.6%
0-40	1934	90.2%
0-60	2104	98.1%
0-90	2143	100.0%
90-180	0	0.0%
0-180	2143	100.0%

Fixture tested per LM-79-08. Photometric data is of the performance of a representative fixture. Results may vary in the field.

Performance Data

Model Number	Lumens	Watts	Lumens/Watt
CDR6-18W-35K-SN	1349	18.0	74.9
CDR6-18W-40K-SN	1370	18.0	76.1
CDR6-18W-50K-SN	1397	18.0	77.6
CDR6-27W-35K-SN	2143	27.0	79.4
CDR6-27W-40K-SN	2176	27.0	80.6
CDR6-27W-50K-SN	2220	27.0	82.2

Recommended Dimmers*

Lutron NTSTV
Lutron DVSTV
Cooper SF10P
Legrand RH4FBL3PW

*Not a complete list. Check compatibility before installation.

Ordering Information

Example: CDR6-18W-35K-SN

Series	Wattage	CCT	Reflector
CDR6	18W	35K (3500 K)	SN (Satin)
	27W	40K (4000 K)	
		50K (5000 K)*	

Specifications and dimensions subject to change without notice.

*Only available as special order. Contact NICOR for more info.