

DLR56 900 Lumen

5" & 6" Recessed LED Downlight

Project _____

Date _____

Type _____

Product Description

The DLR56 from NICOR® is a 5" & 6" recessed LED downlight that is ideal for both retrofit and new construction alike.

Redesigned to boost energy efficiency, the LED light engine draws only 13 watts while improving light output to over 900 lumens. The enriched 90+ CRI provides superior color quality, along with a greater than 60 R9 value. Not only is the light quality better, but this design improvement meets new industry standards like Title 24 and CEC making it an ideal solution.

Construction

Spun aluminum trim routes heat away from electrical components
Low profile, integrated driver, allows for use in shallow housings

Optical System

Polystyrene diffuser and reflector cone create a uniform light distribution that reduces glare without sacrificing lumen output

Electrical

Utilizes high performing LG® LEDs with greater than 90 CRI and an R9 greater than 60*
Dimmable to 10% with most standard dimmers
Thermally protected, high efficiency driver standard
Operating temperature rating of 0°F to 120°F (-18°C to 49°C)
Input voltage of 120V
Lifetime rated for greater than 60,000 hours
LM-79, LM-80 testing performed in accordance with IESNA standards
*not available in 5000K

Finish

Available in: Black, Nickel, Oil-Rubbed Bronze and White.

Installation

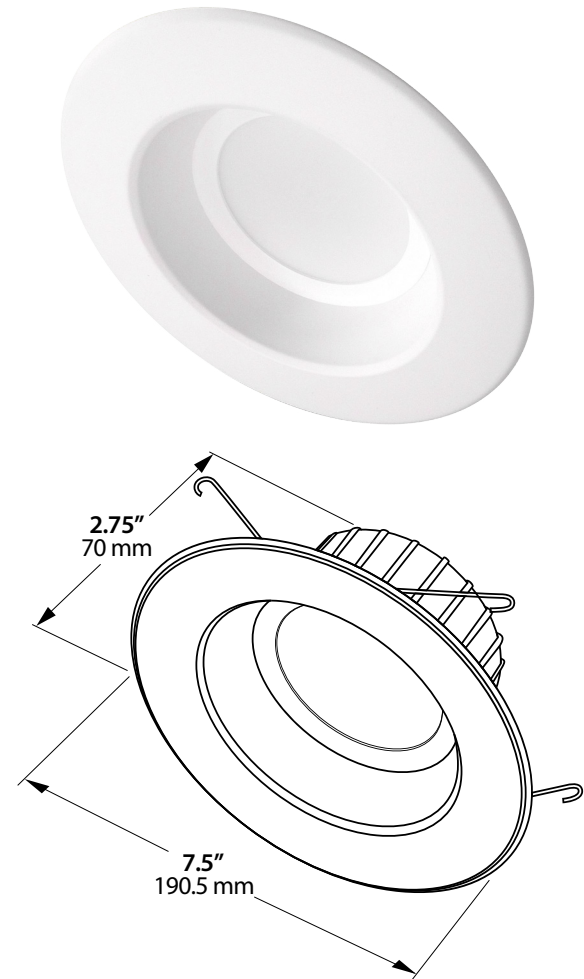
Compatible with most 5" and 6" recessed housings
Quick and easy installation with a screw-in Edison base (GU24 socket string available) and torsion spring mounting system

Warranty

5-year limited system warranty standard

PRODUCT INFORMATION

LED Type:	LG® 5630
LED Lifetime (Hrs):	>60,000
Input Voltage (V)	120V
Power Draw (W)	13.1W
Fixture Height	2.75" (70 mm)
Trim Width:	7.5" (190 mm)



Ordering Information

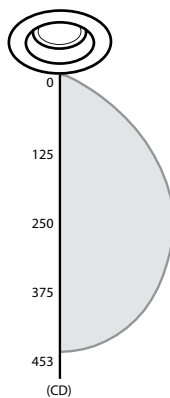
Example: DLR56-2709-120-3K-WH

Series	Version	Voltage	CCT's	Trim Color
DLR56	2709 (2.75 900 lm)	120	2K (2700)	BK (black)
			3K (3000)	NK (nickel)
			4K (4000)	OB (oil-rubbed bronze)
			5K (5000)	WH (white)
				WH-BF (white baffle) Available in 2K & 3K only

Photometric Data

2700K DLR56 900lm*

Luminaire	2700K
Input Voltage (VAC)	120
System Level Power (W)	13.09
Delivered Lumens (Lm)	966
System Efficacy (Lm/W)	73.8
Correlated Color Temp (K)	2669
Color Rendering Index (CRI)	93 R9=59



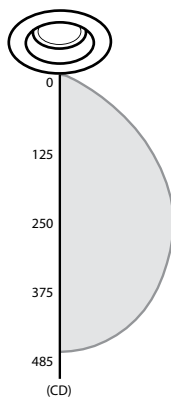
Zonal Lumen Summary**

Zone	Lumens	% of Luminaire
0-30	341	35.37%
0-40	544	56.49%
0-60	872	90.57%
0-90	966	100.00%
90-180	0	0.00%
0-180	966	100.00%

*Integrating sphere data
**Type C Goniophotometer data

3000K DLR56 900lm*

Luminaire	3000K
Input Voltage (VAC)	120
System Level Power (W)	13.09
Delivered Lumens (Lm)	990
System Efficacy (Lm/W)	75.6
Correlated Color Temp (K)	3074
Color Rendering Index (CRI)	93 R9=59



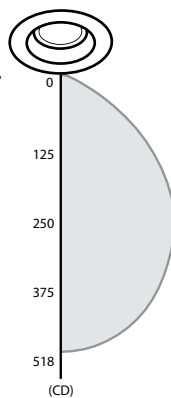
Zonal Lumen Summary**

Zone	Lumens	% of Luminaire
0-30	349	35.37%
0-40	558	56.49%
0-60	894	90.57%
0-90	990	100.00%
90-180	0	0.00%
0-180	990	100.00%

*Integrating sphere data
**Type C Goniophotometer data

4000K DLR56 900lm*

Luminaire	4000K
Input Voltage (VAC)	120
System Level Power (W)	13.09
Delivered Lumens (Lm)	1019
System Efficacy (Lm/W)	77.8
Correlated Color Temp (K)	4023
Color Rendering Index (CRI)	93 R9=59



Zonal Lumen Summary**

Zone	Lumens	% of Luminaire
0-30	360	35.37%
0-40	574	56.49%
0-60	920	90.57%
0-90	1019	100.00%
90-180	0	0.00%
0-180	1019	100.00%

*Integrating sphere data
**Type C Goniophotometer data