

DLS4 600 Lumen

Surface Mount LED Downlight

Project _____

Date _____

Type _____

Product Description

The DLS4 from NICOR® is the perfect LED downlight for surface mount applications. With the DLS all that is required for installation is a 4/0 J-box. If there is already a housing in place, don't fret - the DLS is versatile enough for use in most 4" recessed housings. Upgrading to energy efficient LED lighting has never been easier, or more affordable. The DLS is dimmable to 10%, suitable for use in wet locations, and available in 2700K, 3000K, or 4000K color temperatures. The NICOR DLS provides superior efficacy and a longer life than compact fluorescents, with the pleasant light quality you expect from an incandescent lamp.

Construction

Die cast aluminum trim routes heat away from electrical components
Low profile, integrated driver, allows for surface mount installation of 4/0 J-box

Optical System

White polycarbonate diffuser eliminates hot spots creating a pleasantly uniform light distribution

Electrical

Utilizes high performing Nichia® brand LEDs with greater than 95 CRI and an R9 greater than 65
Dimmable to 10% with most standard dimmers
Thermally protected, high efficiency driver
Operating temperature rating of 0°F to 120°F (-18°C to 49°C)
Input voltage of 120V
Lifetime rated for greater than 50,000 hours
LM79, LM-80 testing performed in accordance with IESNA standards

Finish

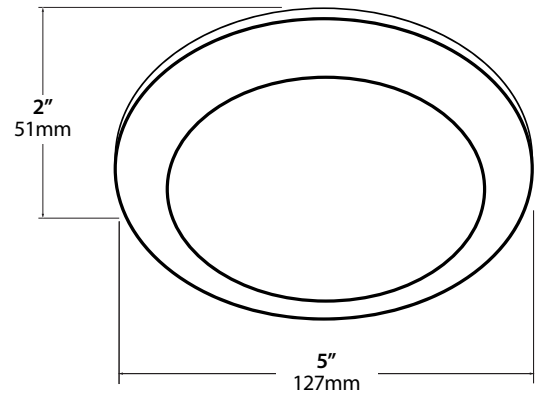
Exterior white powder coat finish

Installation

Compatible with most 4" recessed housings
Quick and easy installation with a screw-in Edison base (GU24 socket string available) and snap-in mounting bracket over a plastic or metal 4/0 J-box

Warranty

5-year limited system warranty standard



PRODUCT INFORMATION

LED Type:	Nichia®
LED Lifetime (Hrs):	50,000
Input Voltage (V)	120V
Power Draw (W)	9.81W
Fixture Height	2in (51 mm)
Trim Width:	5in (127 mm)



Ordering Information

Example: DLS4-2006-120-3K-WH

Series	Version	Voltage	CCT's	Trim Color
DLS4	2006 (2.0 600lm)	120	2K (2700)	WH (white)
			3K (3000)	
			4K (4000)	

Photometric Data - Type C Gonio Photometer

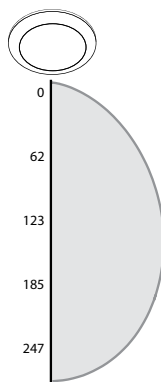
2700K DLS4* 600lm

Luminaire	2700K
Input Voltage (VAC)	120
System Level Power (W)	9.8
Delivered Lumens (Lm)	666
System Efficacy (Lm/W)	67.9
Correlated Color Temp (K)	2720
Color Rendering Index (CRI)	95 R9=65

Zonal Lumen Summary**

Zone	Lumens	% of Luminaire
0-30	188	28.57%
0-40	302	45.90%
0-60	517	78.57%
0-90	666	100.00%
90-180	0	0%
0-180	666	100%

*Integrating sphere data
**Type C Goniophotometer data



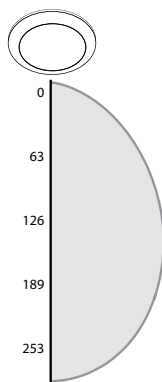
3000K DLS4* 600lm

Luminaire	3000K
Input Voltage (VAC)	120
System Level Power (W)	9.81
Delivered Lumens (Lm)	671
System Efficacy (Lm/W)	68.4
Correlated Color Temp (K)	3061
Color Rendering Index (CRI)	95 R9=65

Zonal Lumen Summary**

Zone	Lumens	% of Luminaire
0-30	193	28.57%
0-40	309	45.90%
0-60	530	78.57%
0-90	671	100.00%
90-180	0	0%
0-180	671	100%

*Integrating sphere data
**Type C Goniophotometer data



4000K DLS4* 600lm

Luminaire	3000K
Input Voltage (VAC)	120
System Level Power (W)	9.81
Delivered Lumens (Lm)	702
System Efficacy (Lm/W)	71.56
Correlated Color Temp (K)	4056
Color Rendering Index (CRI)	95 R9=65

Zonal Lumen Summary**

Zone	Lumens	% of Luminaire
0-30	198	28.57%
0-40	319	45.90%
0-60	545	78.57%
0-90	702	100.00%
90-180	0	0%
0-180	702	100%

*Integrating sphere data
**Type C Goniophotometer data

