

# DLS56 1200 Lumen

## Surface Mount LED Downlight

Project \_\_\_\_\_

Date \_\_\_\_\_

Type \_\_\_\_\_

### Product Description

The DLS56 from NICOR® is the perfect LED downlight for surface mount applications. With the DLS all that is required for installation is a 4/O J-box. If there is already a housing in place, don't fret - the DLS is versatile enough for use in most 5" and 6" recessed housings. Upgrading to energy efficient LED lighting has never been easier, or more affordable. The DLS is dimmable to 10%, suitable for use in wet locations, and available in 2700K, 3000K, or 4000K color temperatures. The NICOR DLS provides superior efficacy and a longer life than compact fluorescents, with the pleasant light quality you expect from an incandescent lamp.

#### Construction

- Die cast aluminum trim routes heat away from electrical components
- Low profile, integrated driver, allows for surface mount installation of 4/O J-box

#### Optical System

- White polycarbonate diffuser eliminates hot spots creating a pleasantly uniform light distribution

#### Electrical

- Utilizes high performing LEDs with greater than 95 CRI and an R9 greater than 65
- Dimmable to 10% with most standard dimmers
- Thermally protected, high efficiency driver
- Operating temperature rating of 0°F to 120°F (-18°C to 49°C)
- Input voltage of 120V
- Lifetime rated for greater than 50,000 hours
- LM79, LM-80 testing performed in accordance with IESNA standards

#### Finish

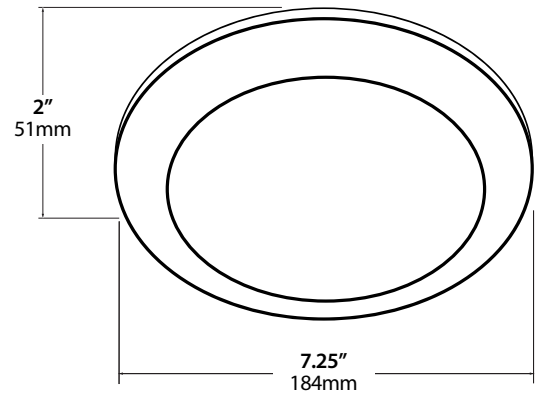
- Exterior white powder coat finish

#### Installation

- Compatible with most 5" and 6" recessed housings
- Quick and easy installation with a screw-in Edison base (GU24 socket string available) and snap-in mounting bracket over a plastic or metal 4/O J-box

#### Warranty

- 5-year limited system warranty standard



### PRODUCT INFORMATION

LED Lifetime:	50,000 Hours
Input Voltage:	120V
Power Draw:	17.36W
Fixture Height:	2in (51 mm)
Trim Width:	7.25in (184 mm)



### Ordering Information

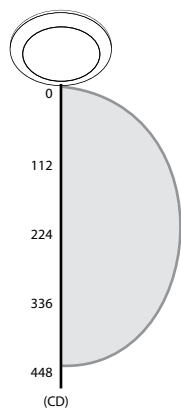
Example: DLS56-2012-120-3K-WH

Series	Version	Voltage	CCT's	Trim Color
DLS56	2012 (v2.0)	120(V)	2K (2700)	WH (white)
			3K (3000)	
			4K (4000)	

# Photometric Data - Type C Gonio Photometer

## DLS56 1200lm 2700K

Luminaire	2700K
Input Voltage (VAC)	120
System Level Power (W)	17.36
Delivered Lumens (Lm)	1267
System Efficacy (Lm/W)	73
Correlated Color Temp (K)	2720
Color Rendering Index (CRI)	95 R9=65

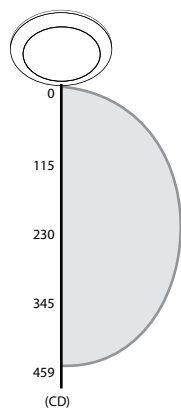


### Zonal Lumen Summary\*\*

Zone	Lumens	% of Luminaire
0-30	343	27.59%
0-40	554	44.57%
0-60	690	55.51%
0-90	1267	100.00%
90-180	0	0%
0-180	1267	100%

## DLS56 1200lm 3000K

Luminaire	3000K
Input Voltage (VAC)	120
System Level Power (W)	17.36
Delivered Lumens (Lm)	1276
System Efficacy (Lm/W)	73.5
Correlated Color Temp (K)	3054
Color Rendering Index (CRI)	95 R9=65

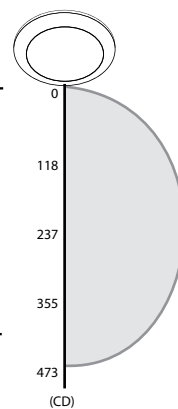


### Zonal Lumen Summary\*\*

Zone	Lumens	% of Luminaire
0-30	351	27.59%
0-40	568	44.57%
0-60	707	55.51%
0-90	1276	100.00%
90-180	0	0%
0-180	1276	100%

## DLS56 1200lm 4000K

Luminaire	4000K
Input Voltage (VAC)	120
System Level Power (W)	17.36
Delivered Lumens (Lm)	1336
System Efficacy (Lm/W)	76.9
Correlated Color Temp (K)	3941
Color Rendering Index (CRI)	95 R9=65



### Zonal Lumen Summary\*\*

Zone	Lumens	% of Luminaire
0-30	362	27.59%
0-40	585	44.57%
0-60	728	55.51%
0-90	1336	100.00%
90-180	0	0%
0-180	1336	100%