



CAUTION

1. Read all instructions carefully for safe operation and installation
2. To avoid possible electrical shock, shut off electricity before the installation.
3. All wiring must be in accordance with national and local electrical codes. Installation work and electrical wiring must be done by a qualified electrician
4. Do not install over a heat source or directly over water.

- 1 Carefully unpack the Under Cabinet and hardware from its packaging. Inspect product for defects due to shipping (refer to Fig. A).
- 2 Insert connector (1) in the desired knockout (2) in housing.
- 3 Open the top cover of the housing (3). Install the green wire with the close-loop ring over the connector barrel (1) and secure to housing by using the lock nut (4) provided.
- 4 Insert supply wires (not provided) through connector (1) and secure with the two screws (6) pre-installed on the connector (1). Attach black fixture wire to black supply wire, white fixture wire to white supply wire, green fixture grounding lead to grounding lead. DO NOT MIX! Use wire nuts (provided) to splice connections.
- 5 Mount housing to desired surface with the two mounting screws (5) provided (refer to Fig. C).
Note: For 40" fixtures, there is an additional mounting screw hole in the middle of housing. Open the top cover and securely fasten the mounting screw.
- 6 Restore power and check installation
Note: Requires 120VAC/60Hz power supply for proper operation.

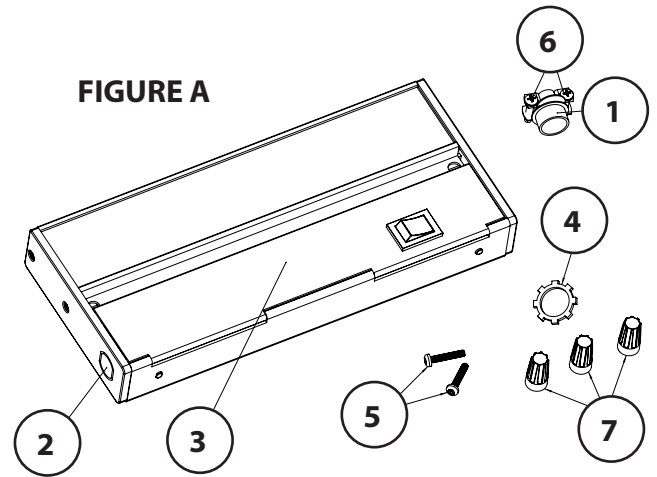


FIGURE B

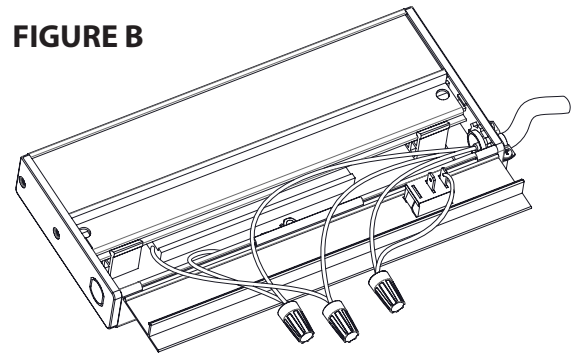
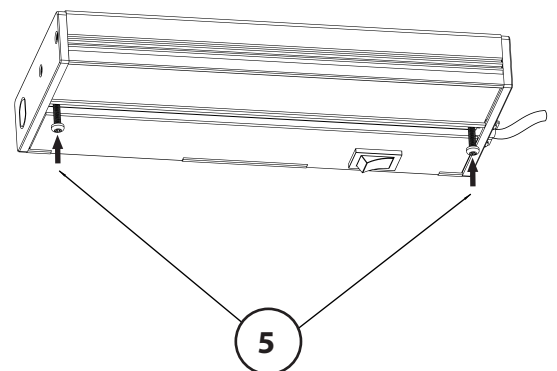


FIGURE C



Warranty

For complete warranty information please visit :
<http://nicorlighting.com>