

Ara

LED Flood Light

Product Description

The Ara LED Flood Light offers high performance and clean, uniform light distribution in a compact design. The Ara is available in four wattages and features a long-lasting driver with a highly efficient LED engine for precise optical control. The included knuckle mount has a range of 0 to 90-degrees, making it easy to enhance the aesthetics of any exterior environment, including landscapes, display signage, building facades, common areas, pathways, and other open spaces where illumination or accent lighting are required.

Construction

- Die-cast aluminum housing routes heat away from electrical components
- Stainless steel hardware

Optical System

- Clear injection molded acrylic creates uniform light distribution
- NEMA 6HX7V
- CRI 80+
- Utilizes advanced LED technology with CCT of 4000K and 5000K

Electrical

- Thermally protected, high-efficiency driver
- Operating temperature rating of -40° to 120°F (-40°C to 48°C)
- Input voltage of 120-277VAC
- Available in 15, 50, 75, and 90 watt
- Power Factor = 0.989
- THD = <20%

Finish

- Fine-textured, UV-stabilized powder coat bronze finish

Mounting and installation

- Easy installation with a knuckle mount
 - ½" threaded connector
 - Range of 0° to 90°
- For installations where power surge may be possible, NICOR recommends installing additional surge protection at the electrical distribution panel

Listings

- LM-79, LM-80 testing performed in accordance with IESNA standards.
- UL and CUL Listed for wet locations
- Meets FCC Part 15, Subpart B, Class A standards for conducted and radiated emissions
- TM-21 Reported L70(9k) life >54,000 hours
- TM-21 Projected L70(9k) life =75,000 hours

Warranty

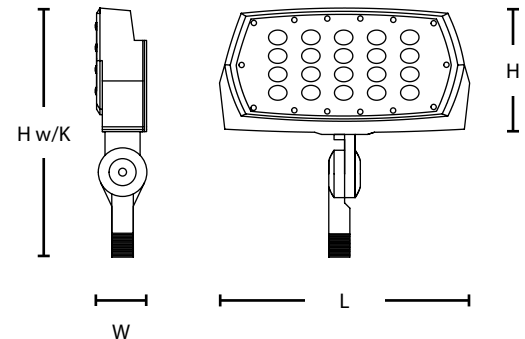
- 5-year limited system warranty standard
- Warranty does not cover product failure due to an overvoltage event (power surge.)

Project _____

Catalog _____

Type _____

Date _____



15 W

Fixture Length:	5 in (127 mm)	8.9 in (226 mm)
Fixture Width:	1.45 in (37 mm)	1.9 in (48 mm)
Fixture Height w/K:	4.72 in (120 mm)	8.8 in (224 mm)
Fixture Height:	2.71 in (67 mm)	5 in (127 mm)

50 W

75/90 W

Fixture Length:	10.6 in (269 mm)
Fixture Width:	2.9 in (74 mm)
Fixture Height w/K:	12 in (269 mm)
Fixture Height:	6.41 in (163 mm)



Photometric Data

OFL15 5000K

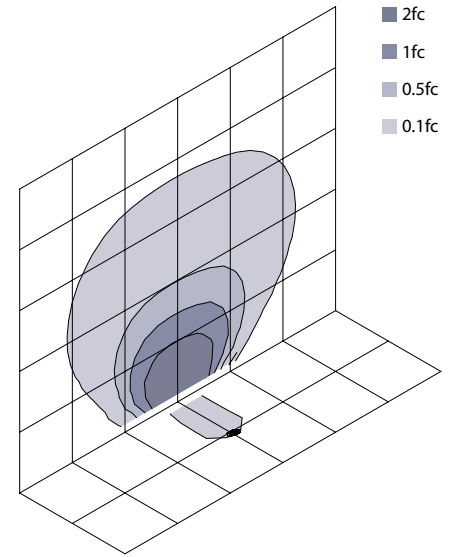
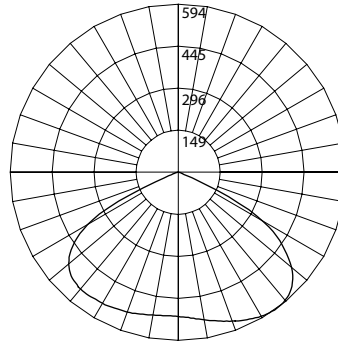
Input Voltage (VAC)	120-277
System Level Power (W)	11.7
120V Current (A)	0.10
277V Current (A)	0.05
Delivered Lumens (Lm)	1475
System Efficacy (Lm/W)	126.0
Correlated Color Temp (K)	4898
Color Rendering Index (CRI)	83
Beam Angle	6H x 7V
Spacing Criteria	1.54

Intensity Summary (Candle Power)

Angle	Mean CP
0	509
5	513
15	531
25	541
35	513
45	438
55	300
65	103
75	15
85	5
90	1

CCT Data Multiplier

OFL1015MV40 0.992



Each square represents 100 square feet.

Zonal Lumen Summary

Zone	Lumens	% of Luminaire
0-30	449	30.4%
0-40	767	52.0%
0-60	1352	91.7%
0-90	1473	99.9%
90-180	2	0.1%
0-180	1475	100.0%

OFL50 5000K

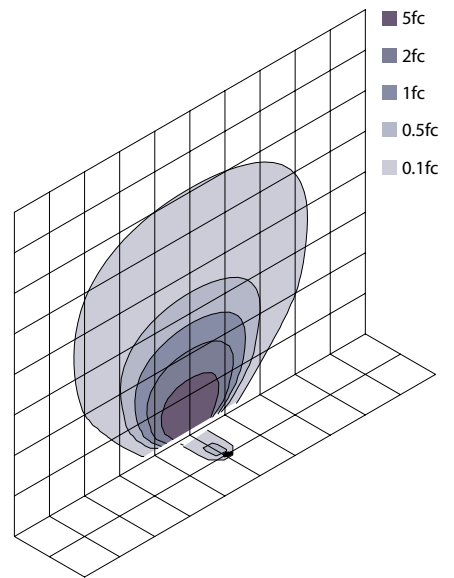
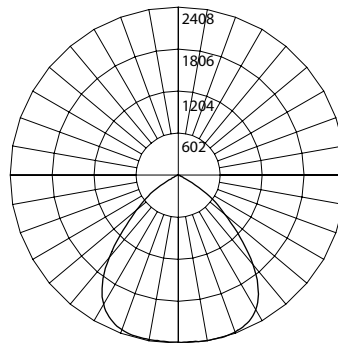
Input Voltage (VAC)	120-277
System Level Power (W)	47.2
120V Current (A)	0.40
277V Current (A)	0.18
Delivered Lumens (Lm)	5563
System Efficacy (Lm/W)	117.8
Correlated Color Temp (K)	4981
Color Rendering Index (CRI)	83
Beam Angle	6Hx7V
Spacing Criteria	1.38

Intensity Summary (Candle Power)

Angle	Mean CP
0	2390
5	2391
15	2380
25	2311
35	2101
45	1594
55	989
65	196
75	29
85	7
90	0

CCT Data Multiplier

OFL1050MV40 0.981



Each square represents 100 square feet.

Zonal Lumen Summary

Zone	Lumens	% of Luminaire
0-30	1968	35.4%
0-40	3269	58.8%
0-60	5300	95.3%
0-90	5557	99.9%
90-180	5	0.1%
0-180	5563	100.0%

Fixture tested per LM-79-08. Photometric data is of the performance of a representative fixture. Results may vary in the field.

Photometric Data

OFL75 500K

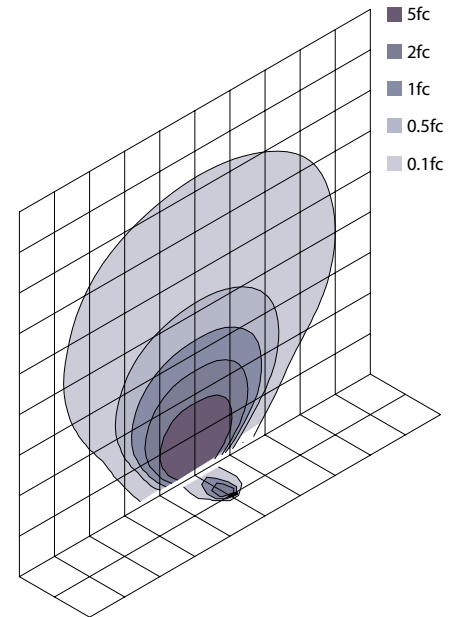
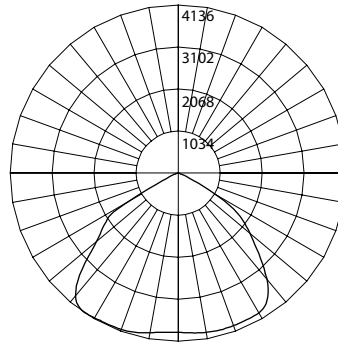
Input Voltage (VAC)	120-277
System Level Power (W)	69.8
120V Current (A)	0.59
277V Current (A)	0.26
Delivered Lumens (Lm)	8579
System Efficacy (Lm/W)	123.0
Correlated Color Temp (K)	5043
Color Rendering Index (CRI)	84
Beam Angle	6Hx6V
Spacing Criteria	1.36

Intensity Summary (Candle Power)

Angle	Mean CP
0	3919
5	3942
15	4018
25	3857
35	3422
45	2443
55	1140
65	222
75	54
85	15
90	5

CCT Data Multiplier

OFL075MV40 0.971



Each square represents 100 square feet.

Zonal Lumen Summary

Zone	Lumens	% of Luminaire
0-30	3286	38.3%
0-40	5397	62.9%
0-60	8235	96.0%
0-90	8569	99.9%
90-180	9	0.1%
0-180	8579	100.0%

OFL90 500K

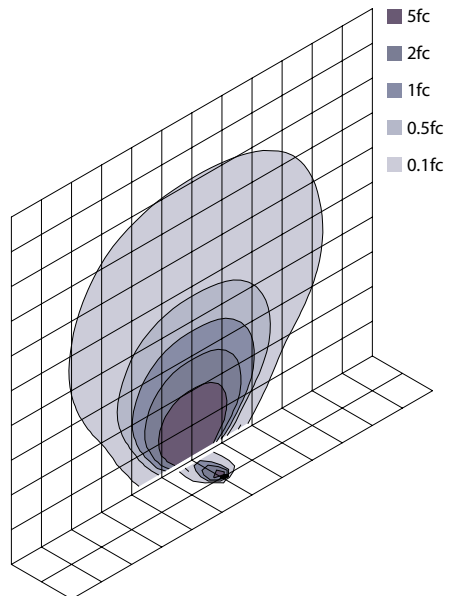
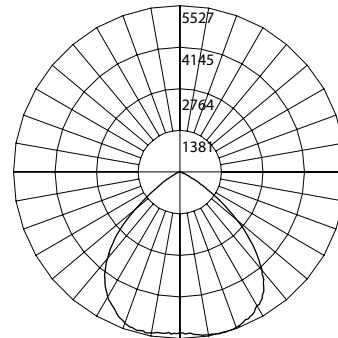
Input Voltage (VAC)	120-277
System Level Power (W)	91.8
120V Current (A)	0.77
277V Current (A)	0.34
Delivered Lumens (Lm)	11603
System Efficacy (Lm/W)	126.3
Correlated Color Temp (K)	5008
Color Rendering Index (CRI)	84
Beam Angle	6Hx6V
Spacing Criteria	1.34

Intensity Summary (Candle Power)

Angle	Mean CP
0	5344
5	5365
15	5410
25	5149
35	4542
45	3314
55	1627
65	306
75	85
85	26
90	9

CCT Data Multiplier

OFL090MV40 0.953



Each square represents 100 square feet.

Fixture tested per LM-79-08. Photometric data is of the performance of a representative fixture. Results may vary in the field.

Performance Data

Model Number	Lumens	Watts	Lumens/Watt
OFL1015MV40	1464	11.7	125.1
OFL1015MV50	1475	11.7	126.0
OFL1050MV40	5457	47.2	115.6
OFL1050MV50	5563	47.2	117.8
OFL1075MV40	8326	69.8	119.3
OFL1075MV50	8579	69.8	123.0
OFL1090MV40	11059	91.8	120.4
OFL1090MV50	11603	91.8	126.3

Ordering Information*Example: OFL1015MV50BZK*

Series	Version	Wattage	Voltage	CCTs	Finish	Mounting
OFL	1 (Version 1)	015 (15 W)	MV (120-277)	40 (4000 K)	BZ (Bronze)	K (Knuckle)
		050 (50 W)		50 (5000 K)		
		075 (75 W)				
		090 (90 W)				

Specifications and dimensions subject to change without notice.

This device complies with part 15 of the FCC Rules. Operation is subject to the following two conditions: (1) This device may not cause harmful interference, and (2) this device must accept any interference received, including interference that may cause undesired operation.

NOTE: This equipment has been tested and found to comply with the limits for a Class A digital device, pursuant to part 15 of the FCC Rules. These limits are designed to provide reasonable protection against harmful interference when the equipment is operated in a commercial environment. This equipment generates, uses, and can radiate radio frequency energy and, if not installed and used in accordance with the instruction manual, may cause harmful interference to radio communications. Operation of this equipment in a residential area is likely to cause harmful interference in which case the user will be required to correct the interference at his own expense.