

# T3C

## 2x2 LED Troffer

Project

Catalog

Type

### Product Description

The contactor friendly T3C LED Troffers feature a pre-mounted driver, making installation easier than ever before. A maintenance-free, fully sealed chamber keeps out bugs and dust. The precision-engineered textured diffuser allows for optimal uniformity, without revealing hot spots or shadowing, while maintaining overall lumen output. Available in 1'x4', 2'x2', and 2'x4' dimensions, the T3C LED Troffers fit easily into standard ceiling grids, making them ideal for installation in both new construction and retrofit projects alike.

#### Construction

Durable steel construction with powder coat finish  
High efficiency, fully sealed, maintenance-free LED chamber  
Smooth formed sides for safe handling

#### Optical System

Precision engineered textured polystyrene diffuser  
No visible diodes, hot-spots, or shadows providing high uniformity, and reduced glare

#### Electrical

Long-life LED system coupled with electrical driver to deliver optimal performance with 95+ lumens per watt depending on fixture size and CCT  
Driver delivers full-range dimming from 0 - 10VDC  
Operating temperature rating of 0°F to 100°F (-18°C to 38°C)  
Input voltage of 120-277VAC

#### Mounting and installation

Features a pre-mounted driver for contractor friendly installation  
Can be installed in conventional suspended grid ceiling or drywall with an optional adaptor  
Mounting holes provided for hanging wire  
Certified for direct contact with insulation

#### Finish

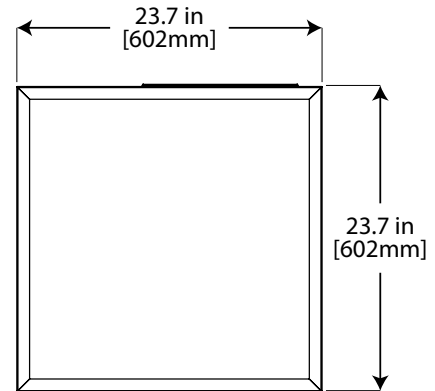
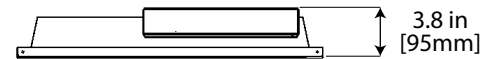
Integrated trim in white with powder coat finish

#### Options

Drywall adaptor/flange kit available for 1x4, 2x2, and, 2x4 fixtures  
Surface Mount Kit converts T3C Series troffers into surface mount luminaires  
Emergency Battery Backup Driver available for all sizes

#### Warranty

5-year limited system warranty standard  
Warranty does not cover product failure due to an overvoltage event (power surge.) For installations where power surge may be possible, NICOR recommends installing additional surge protection at the fixture or electrical distribution panel  
TM-21 Projected L70(6k) life 60,000 hours  
LM-79, LM-80 testing performed in accordance with IESNA standards.



### PRODUCT INFORMATION

LED Lifetime Projected:	60,000 Hours
Input Voltage:	120-277V
Fixture Dimensions (w/ driver mounted) (LxWxH)	23.7 in x 23.7 in x 3.8 in

### Ordering Information

Example: T3C-22-MV-40-EM

Series	Size	Voltage	CCT's	EM
T3C	22 (2' x 2')	MV (120-277V)	30 (3000 K)	EM (Emergency Battery)
			35 (3500 K)	
			40 (4000 K)	
			50 (5000 K)	

Specifications and dimensions subject to change without notice.

# Photometric Data - Type C Goniophotometer

## 3000K T3C 2X2

Luminaire	3000K
Input Voltage (VAC)	120-277
System Level Power (W)	39
Delivered Lumens (Lm)	3312
System Efficacy (Lm/W)	85
Correlated Color Temp (K)	2935
Color Rendering Index (CRI)	81

### Zonal Lumen Summary\*\*

Zone	Lumens	% of Luminaire
0-30	960	29%
0-40	1524	46%
0-60	2616	79%
0-90	3312	100%
90-180	0	0%
0-180	3312	100%

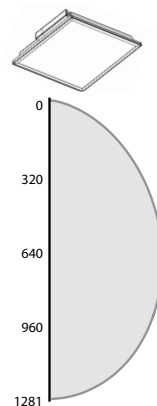


## 3500K T3C 2X2

Luminaire	3500K
Input Voltage (VAC)	120-277
System Level Power (W)	39.41
Delivered Lumens (Lm)	3774
System Efficacy (Lm/W)	95.76
Correlated Color Temp (K)	3421
Color Rendering Index (CRI)	81

### Zonal Lumen Summary\*\*

Zone	Lumens	% of Luminaire
0-30	1089	29%
0-40	1765	47%
0-60	2966	79%
0-90	3755	100%
90-180	0	0%
0-180	3755	100%

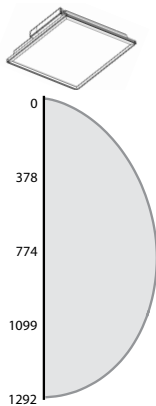


## 4000K T3C 2X2

Luminaire	4000K
Input Voltage (VAC)	120-277
System Level Power (W)	39.45
Delivered Lumens (Lm)	3908
System Efficacy (Lm/W)	99.06
Correlated Color Temp (K)	3964
Color Rendering Index (CRI)	81

### Zonal Lumen Summary\*\*

Zone	Lumens	% of Luminaire
0-30	1094	28%
0-40	1759	45%
0-60	3087	79%
0-90	3908	100%
90-180	0	0%
0-180	3908	100%



## 5000K T3C 2X2

Luminaire	5000K
Input Voltage (VAC)	120-277
System Level Power (W)	39
Delivered Lumens (Lm)	3927
System Efficacy (Lm/W)	99
Correlated Color Temp (K)	5086
Color Rendering Index (CRI)	81

### Zonal Lumen Summary\*\*

Zone	Lumens	% of Luminaire
0-30	1095	28%
0-40	1760	45%
0-60	3089	79%
0-90	3927	100%
90-180	0	0%
0-180	3927	100%

