

T3R 2x2

2x2 LED Retrofit Troffer Kit

Product Description

The T3R is a center lens LED lighting retrofit kit designed to fit easily in most existing fluorescent troffer and parabolic fixture housings. The contemporary center lens design delivers a soft natural glow with even illumination and minimized glare making it an attractive general-purpose ambient lighting solution. This LED lighting retrofit kit allows you to upgrade your space without breaking the ceiling plane giving you an energy efficient light source with reduced labor and installation costs. The T3R Series will enhance the appearance of the modern office or other commercial spaces such as schools, hospitals, retail, convenience stores, restaurants and hospitality applications.

Construction

- Durable steel construction with powder coat finish
- Smooth formed sides for safe handling
- Retrofits prismatic & parabolic troffers with fixture depth greater than 3.5"
- Conversion kit includes pre-wired LED door frame assembly and mounting brackets
- Hinged for easy access to driver and electrical components

Optical System

- Precision engineered lens diffuser
- No visible diodes, hot-spots, or shadows providing high uniformity, and reduced glare
- Acrylic lens features linear prisms sculpted into the surface for a distinct ribbed texture

Electrical

- NEC/CEC compliant power disconnect is standard
- Color Rendering Index (CRI) 85
- Color tolerance tighter than the 5-step MacAdam ellipse for consistent color performance
- Available in 3500K, 4000K & 5000K
- Long-life LED system coupled with electrical driver to deliver optimal performance with 100+ lumens per watt
- Driver delivers full-range dimming from 0 - 10VDC
- Operating temperature rating of 0°F to 100°F (-18°C to 38°C)
- Input voltage of 120-277VAC

Mounting and installation

- Features an integral driver for easy installation
- Retrofits most fluorescent 2'x2' fixtures
- Seismic wire provided for safe installation and operation
- Suitable for use in IC rated troffer

Finish

- White powder coat finish

Warranty

- 5-year limited system warranty standard
- Warranty does not cover product failure due to an overvoltage event (power surge.) For installations where power surge may be possible, NICOR recommends installing additional surge protection at the fixture or electrical distribution panel
- TM-21 Reported life >60,000 hours
- LM-79, LM-80 testing performed in accordance with IESNA standards

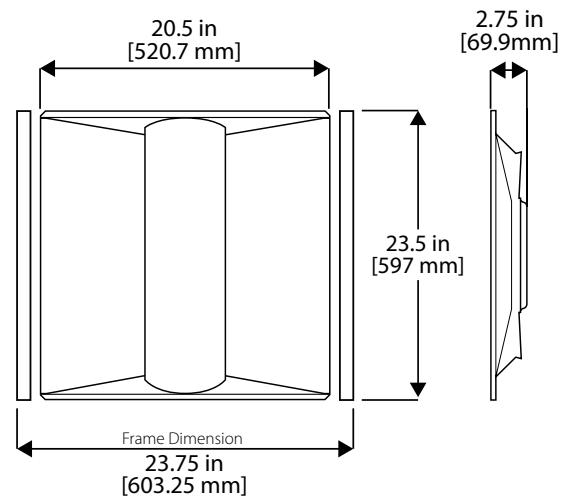
PRODUCT INFORMATION

LED Lifetime TM-21 Calculated L70(10k) (Hrs):	259,000
Input Voltage (V):	120-277V
Fixture Dimensions (w/ driver mounted) (LxWxH)	23.75 in x 23.5 in x 2.75 in

Project _____

Catalog _____

Type _____



Ordering Information

Example: T3R-22-S-MV-40

Series	Size	Style	Voltage	CCT's
T3R	22 (2' x 2')	S	MV (120-277V)	35 (3500 K)*
				40 (4000 K)
				50 (5000 K)*

Specifications and dimensions subject to change without notice.

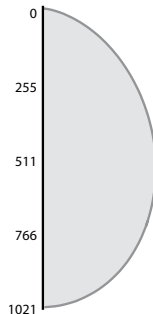
***only available as special order. Contact NICOR for more info.**

Photometric Data - Type C Goniophotometer

3500K T3R 2x2



Luminaire	3500K
Input Voltage (VAC)	120-277
System Level Power (W)	31
Delivered Lumens (Lm)	3065
System Efficacy (Lm/W)	99
Correlated Color Temp (K)	3612
Color Rendering Index (CRI)	85



Zonal Lumen Summary

Zone	Lumens	% of Luminaire
0-30	1116	36%
0-40	1845	60%
0-60	2329	76%
0-90	3065	100%
90-180	0	0%
0-180	3065	100%

4000K T3R 2x2



Luminaire	4000K
Input Voltage (VAC)	120-277
System Level Power (W)	31
Delivered Lumens (Lm)	3128
System Efficacy (Lm/W)	101
Correlated Color Temp (K)	4139
Color Rendering Index (CRI)	85



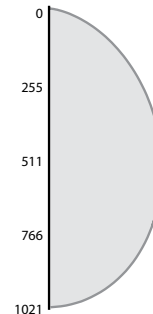
Zonal Lumen Summary

Zone	Lumens	% of Luminaire
0-30	1139	36%
0-40	1883	60%
0-60	2377	76%
0-90	3128	100%
90-180	0	0%
0-180	3128	100%

5000K T3R 2x2



Luminaire	5000K
Input Voltage (VAC)	120-277
System Level Power (W)	31
Delivered Lumens (Lm)	3191
System Efficacy (Lm/W)	103
Correlated Color Temp (K)	5047
Color Rendering Index (CRI)	85



Zonal Lumen Summary

Zone	Lumens	% of Luminaire
0-30	1162	36%
0-40	1921	60%
0-60	2425	76%
0-90	3191	100%
90-180	0	0%
0-180	3191	100%