

LED TROFFER RETROFIT KIT INSTALLATION INSTRUCTIONS



To prevent death, injury or damage to property, this product must be installed in accordance to National Electrical Code (NFPA70) in the US or Canadian Electrical Code (CSA 22.1) in Canada.

Risk of fire or electric shock. The electrical rating of these products are 120-277 Vac, the installer must determine whether they have 120-277 V at the luminaire before installation.

Risk of fire or electric shock. LED Retrofit Kit installation requires knowledge of luminaires electrical systems. If not qualified, do not attempt installation. Contact a qualified electrician.

Risk of fire or electric shock. Install this kit only in the luminaires that have the construction features and dimensions shown below and where the input rating of the retrofit kit does not exceed the input rating of the luminaire.

To prevent wiring damage or abrasion, do not expose wiring to edges of sheet metal or other sharp objects.

Risk of fire or electric shock. Luminaire wiring and electrical parts may be damaged when drilling for installation of LED retrofit kit. Check for enclosed wiring and components."

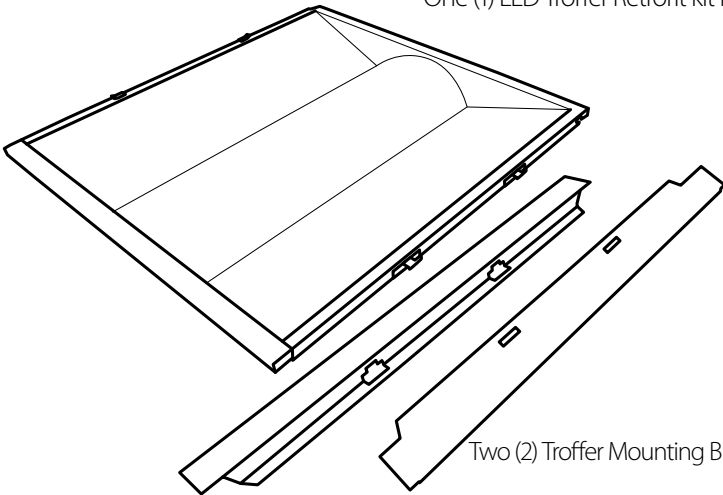
Disconnect power before installing the product or servicing it.

Wait until fixture has cooled down before installing or servicing the fixture.

MIN. 90°C SUPPLY CONDUCTORS

What's In The Box

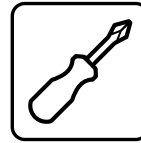
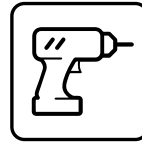
One (1) LED Troffer Retrofit kit fixture



Two (2) Troffer Mounting Brackets

Tools Needed

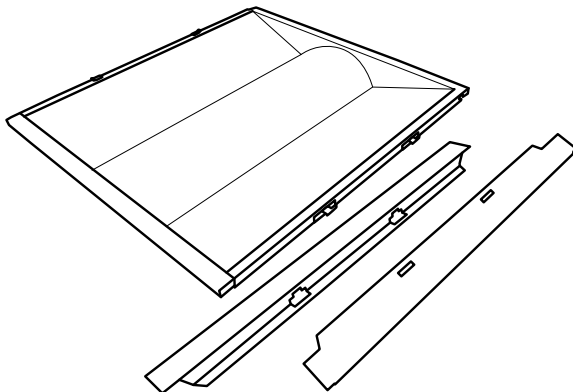
This LED Troffer Retrofit Kit requires very few tools for installation. A drill or a screwdriver and a pair of wirecutters will help to remove the old ballast. Sheet metal screws can be used to attach the safety cables to the housing.



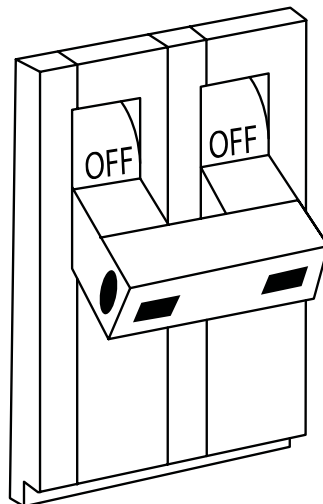
Minimum dimensions for existing fluorescent luminaire housing.

Housing Designation	Overall inner Dimensions
2' x 2'	24in x 24in x 3in high
2' x 4'	48" x 24" x 3" high

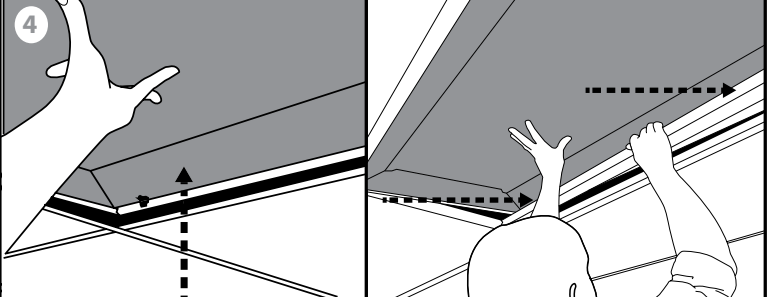
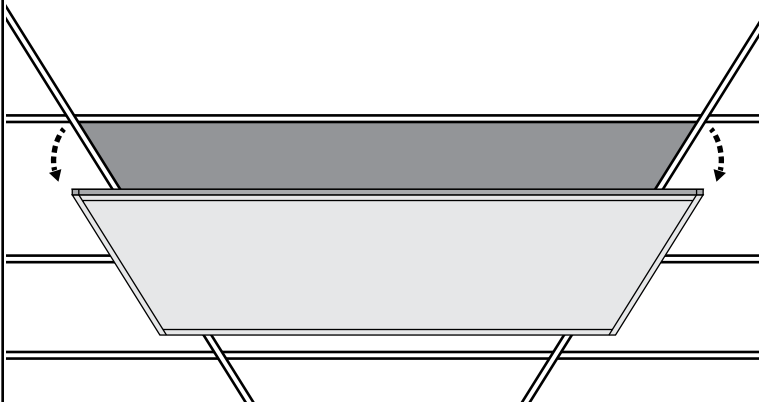
- 1 Carefully unpack the fixture from its packaging. Inspect product for defects due to shipping.



- 2 Turn off power to appropriate circuit at the breaker panel.



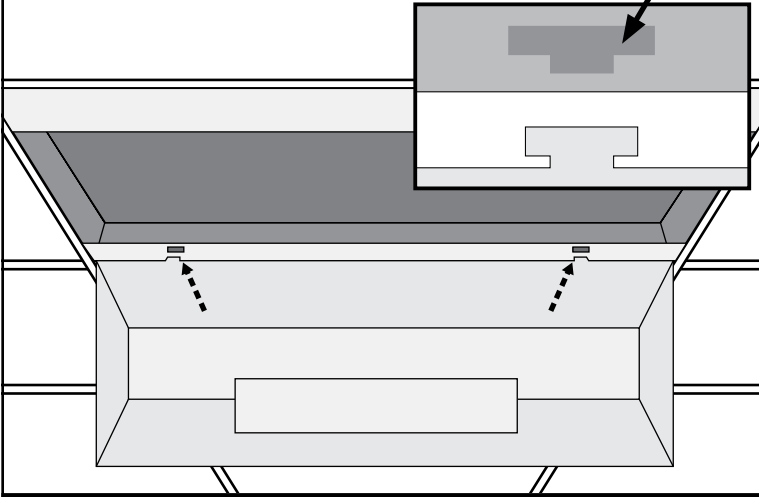
3 Remove existing lens/louvers, tombstones, ballasts, and ballast cover. Ensure that power wires are fed through housing after removing ballast.



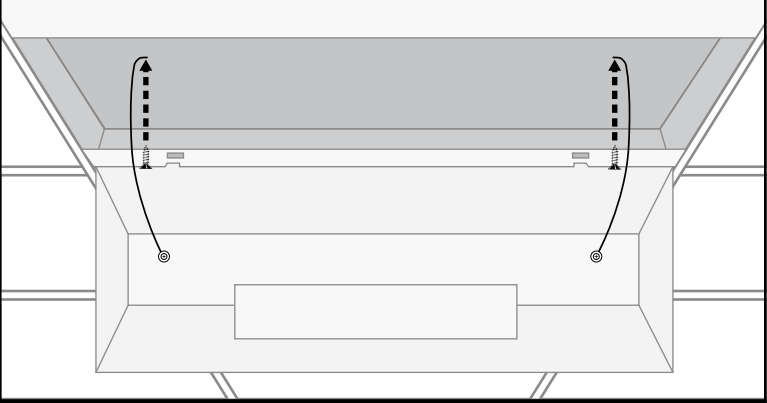
Install Mounting Brackets:

- Lift fixture housing and place mounting bracket between housing and T-grid, ensuring T-slots are visible.
- Lower fixture housing onto mounting bracket and ensure mounting bracket is locked into place.

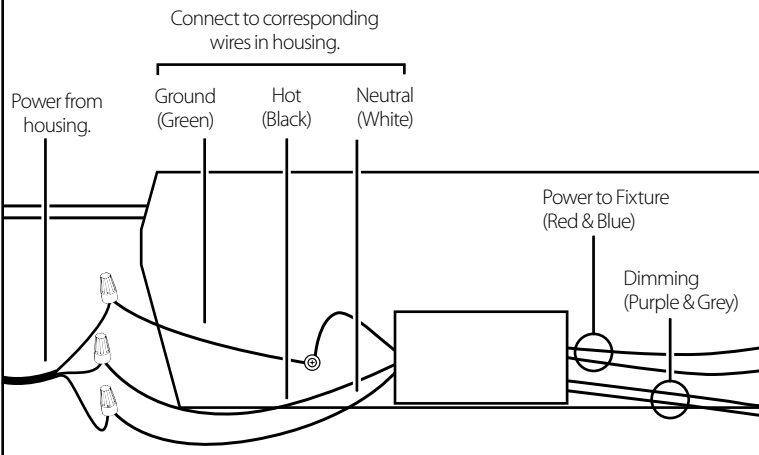
5 Hang new fixture from T-slots in mounting brackets. Ensure fixture is secure before continuing.



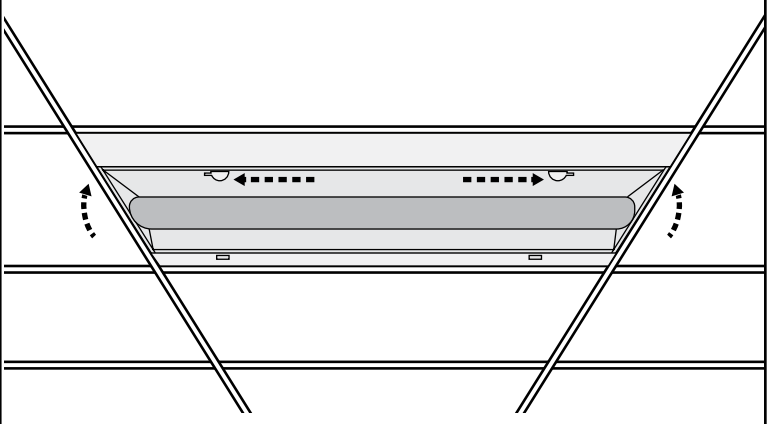
6 Connect safety cable to fixture housing using self-tapping screws



7 Connect wiring as shown. Grey and purple wires are for 0-10V dimming systems. Cap off if not used.



8 Lift fixture into place and lock tabs into mounting bracket.



9 Turn power on and verify that the panel is lit.