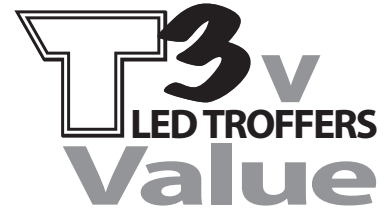


T3 TROFFER ASSEMBLY
INSTALLATION INSTRUCTIONS

Model(s): **T3V-24-MV-35**
T3V-24-MV-40
T3V-24-MV-50



The installation must only be performed by a licensed electrician.

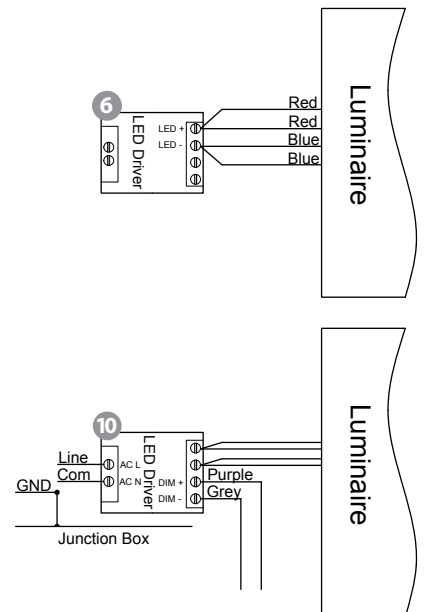
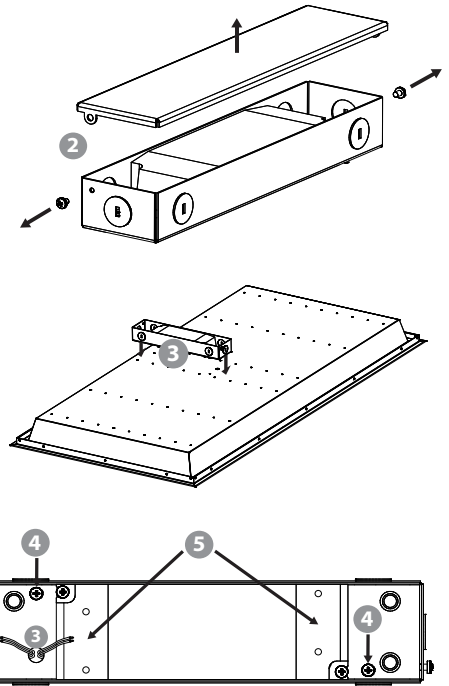
To prevent death, injury or damage to property, this product must be installed in accordance to National Electrical Code (NFPA70) in the US or Canadian Electrical Code (CSA 22.1) in Canada.

Disconnect power before installing the product or servicing it.

Wait until fixture has cooled down before installing or servicing the fixture.

MIN. 90°C SUPPLY CONDUCTORS

- 1 Carefully unpack the fixture from its packaging. Inspect product for defects due to shipping.
- 2 Remove cover from Power Supply/Junction Box by removing two screws.
- 3 Place Power Supply/Junction Box on back panel of fixture by aligning mounting holes. Ensure that the red and blue wires of fixture enter Junction Box through the wire pass through hole.
- 4 Secure Power Supply/Junction Box to fixture with the provided two screws.
- 5 Remove both LED Driver end caps by removing the cap attachment screws.
- 6 Connect low voltage wires from Luminaire to LED Driver using driver terminal block* as shown. If dimming is not desired, reattach low voltage end cap of LED Driver with its screws.
- 7 Locate desired positioning for the fixture in ceiling grid.
- 8 Turn off power to appropriate circuit at the breaker box.
- 9 Place the fixture into the T-bar ceiling panel. Secure to grid per state and local codes.
- 10 Connect line voltage wiring using driver terminal block* as shown. If desired, connect 0-10V dimming wiring to driver terminal block as shown. Reattach LED driver end caps with their screws.
- 11 Reattach cover of Junction Box and secure with two screws.
- 12 Turn power on and verify that the panel is lit.



*Note: Do not exceed maximum torque of 7 in-lbs.