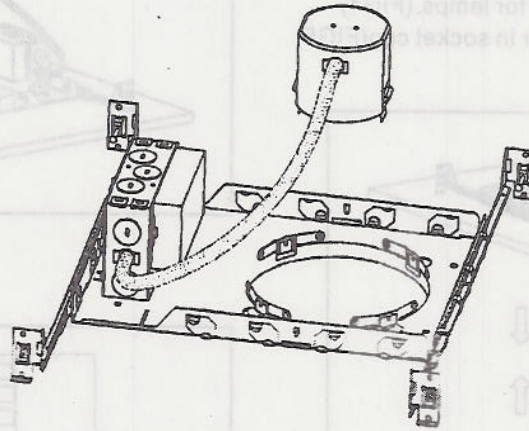


# INSTALLATION INSTRUCTIONS VERTICAL COMPACT FLUORESCENT

**ATTENTION:** Read and understand these instructions before installing fixture. To assure full compliance with local codes and regulations, check with your local electrical inspector before installation. To prevent electrical shock, turn off electricity at fuse box before proceeding. Retain these instructions for maintenance reference.

**CAUTION:** Do not install the fixture on a branch circuit that has a Ground Fault Circuit Interrupter (GFCI). Electronic ballasts may cause GFCI tripping.  
**Turn off electricity before installation or relamping to restore ballast.**

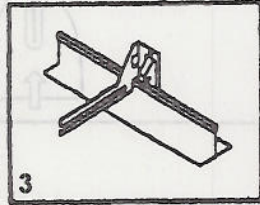
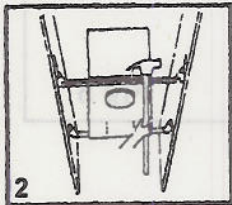
## NON-IC



## NEW CONSTRUCTION INSTALLATION.

### 1. FASTENING FIXTURE TO CEILING

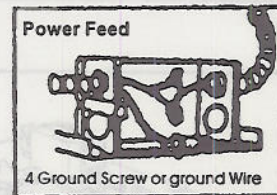
- Joist-type ceiling - extend bar hangers to fit between joists. Position fixture temporarily by hammering "Nail" into joists. (Drawing 2), then secure permanently with nails. Hangers should be level with bottom of joists.
- Suspended (T-bar) ceilings - extend bar hangers 1" past T-bars, then rest fixture on T-bars. Secure fixture to T-bars with wire.



(drawing 3)

### 2. ELECTRICAL CONNECTION

Junction box contains two wires, a black (hot+) and a white (neutral-) which must be spliced to the house current feed wires. Make sure to splice white to white and colored or black to black. After splicing has been completed, tuck splices carefully into junction box and replace cover (drawing 4)



### Grounding

For Romex or 3 wire BX flexible Armour cable installations attach supply groundlead (green) to bare copper groundlead or ground screw in wiring box mounted on plaster frame. Local electrical codes should be consulted to determine acceptable installation - conduit Romex, or flexible Armour cable.

### 3. CUTTING A HOLE

Locate the center of proposed opening on your tile or ceiling material and mark it.

**Rounds:** Use a compass to draw a circle 6 1/2" (6" fixture) or 8 1/6" (8" fixture) in diameter around the center point. Cut along this circular line. After cutting openings, attach ceiling material to joists or place on T-bars. (Housings may be adjusted "up" or "down" as desired, to bring bottom edge of housing level with bottom surface ceiling material. To complete the installation, screw in recommended light bulb and attach trim.



## TRIM INSTALLATION

### VERTICAL COMPACT FLUORESCENT INSTALLATION

1. Pull socket cup through hole of the mounting frame(FIG1).
2. Push socket cup to insert trim(FIG2).
3. Push the trim up to the finished position.(FIG3)
4. NOTE:There are three holes on trims.  
And they are suitable for lamps.(FIG4)
5. Insert lamps into lamp holder in socket cup(FIG5)

