

READ AND SAVE THESE INSTRUCTIONS

1. To ensure the success of installation, be sure to read these instructions and review all diagrams thoroughly before beginning.
2. Before beginning, disconnect power by removing fuse or turning off circuit breaker. To avoid possible electrical shock, be sure electricity is turned off at the main power box before wiring.
3. All electrical connections must be made in accordance with local codes, ordinances, and National Electrical Codes. If you are unfamiliar with methods of installing electrical wiring, secure the services of a qualified electrician who can check the strength of the supporting ceiling members and make proper electrical connections.
4. Installation to a concrete ceiling should be performed by a qualified electrician.
5. Make sure that your installation site will not allow rotating fan blades to come in contact with any object. Installation site should allow a minimum clearance of 7 feet from floor to blade ends when the fan is hung.
6. If you are installing more than one ceiling fan, make sure that you do not mix fan blade sets.
7. After the fan is completely installed, make sure all mechanical connections are secured to prevent the fan from falling.
8. Do not insert anything into the fan blades while the fan is operating.

NOTE: The important safeguards and instructions appearing in this manual are not meant to cover all possible conditions and situations which may occur. It must be understood that common sense, caution and care are factors which cannot be built into any product. These factors must be supplied by the person(s) installing, maintaining and operating the unit.

WARNING

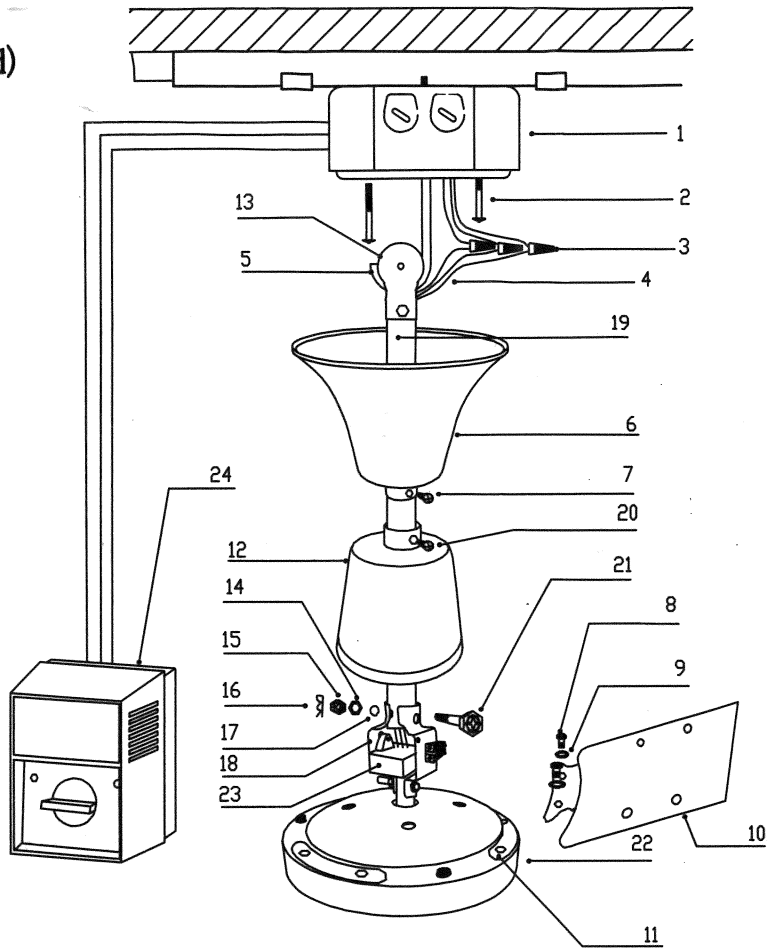
1. CAUTION: TO REDUCE THE RISK OF INJURY TO PERSONS, INSTALL THE FAN SO THAT THE BLADE IS AT LEAST 2.1M (7 FEET) ABOVE THE FLOOR.

2. TO REDUCE THE RISK OF PERSONAL INJURY DO NOT BEND THE BLADE BRACKETS WHEN INSTALLING THE BRACKETS, BALANCING THE BLADES, OR CLEANING THE FAN. DO NOT INSERT FOREIGN OBJECTS IN BETWEEN ROTATING FAN BLADES.

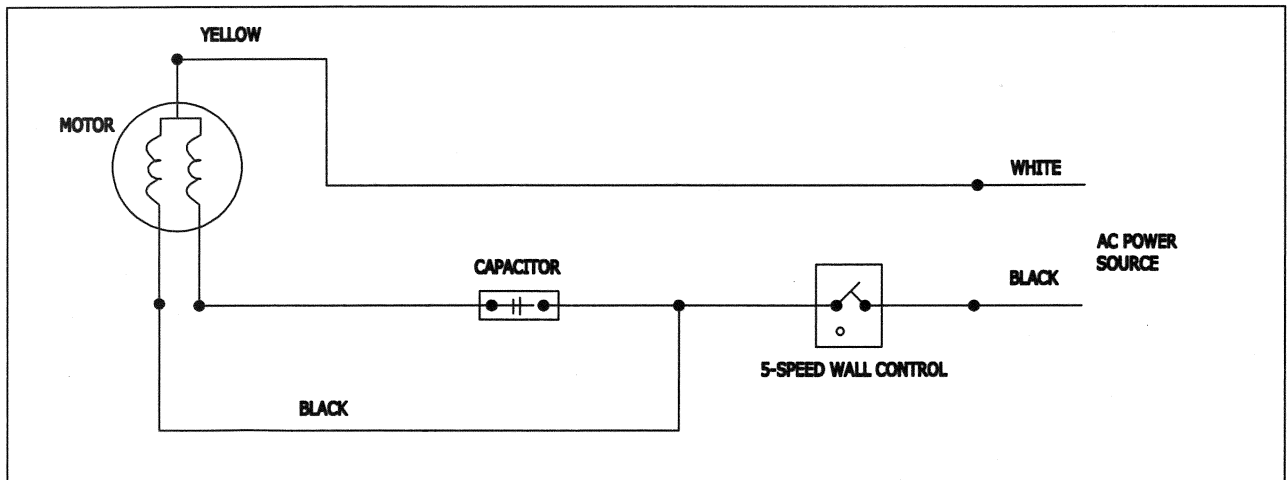
WARNING

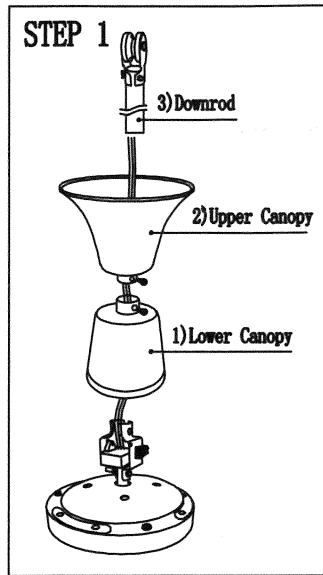
THE BOX MUST BE SUPPORTED DIRECTLY BY THE BUILDING STRUCTURE. THE BOX AND ITS SUPPORT MUST BE ABLE TO SUPPORT A MINIMUM OF 35 POUNDS - MUST NOT TWIST OR WORK LOOSE.
DO NOT USE PLASTIC BOXES

- 1、 Outlet Box
- 2、 Installation Screws (not provided)
- 3、 Wire Connector
- 4、 Lead Wires
- 5、 J-Hook
- 6、 upper canopy
- 7、 upper canopy set screw
- 8、 Motor to Blade Screw
- 9、 Motor to Blade Lock washer
- 10、 Blade
- 11、 Blade fiber washer
- 12、 Lower Canopy
- 13、 Shackle
- 14、 Lock Washer
- 15、 Hex Nut
- 16、 Cotter Pin
- 17、 Plain Washer
- 18、 Yoke
- 19、 Downrod
- 20、 Lower Canopy Set Screw
- 21、 Lock Screw
- 22、 Motor
- 23、 Capacitor
- 24、 5 - Speed Well Control

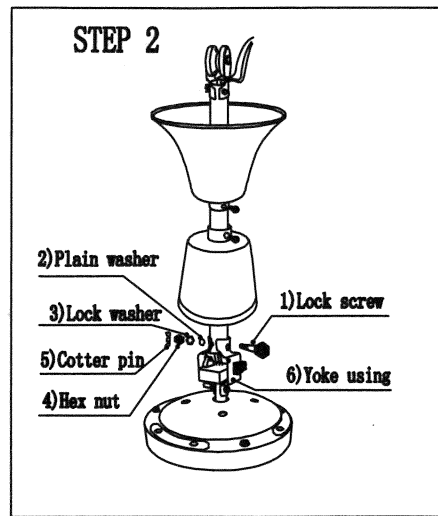


WIRING DIAGRAM



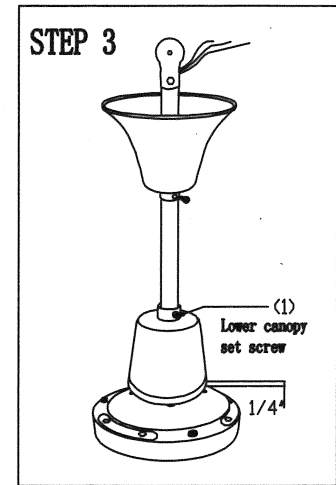


STEP 1-Insert the wire through (1) Lower canopy (2) Upper canopy (3) Downrod in sequence.

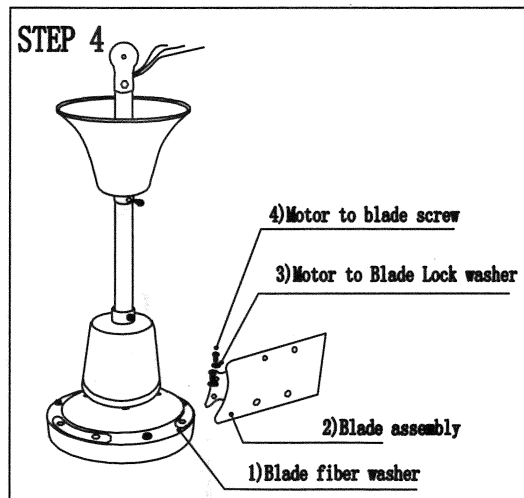


STEP 2-Secure the downrod into the yoke using the 1) lock screw, the lock screw is threaded from side of 6) yoke, downrod, 2) Plain washer, 3) lock washer, into 4) Hex nut.

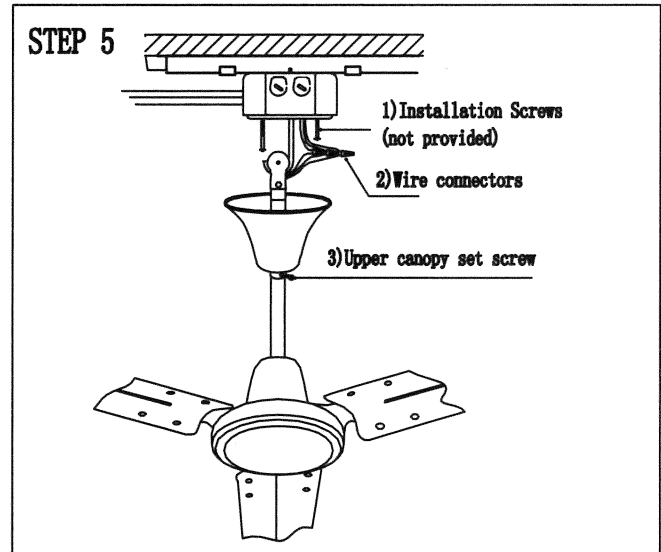
Insert the 5) Cotter pin into the end of the screw.



STEP 3-Lock the lower Canopy in place by the 1) lower canopy set screw, suggested clearance between lower canopy and top of the motor housing is about 1/4"



STEP 4-Secure the 2) blade assembly onto the motor housing using 2 of motor screws. the screws are threaded from top of blade bracket through the lock washer and the fiber washer into the 1) motor housing
Repeat the above process for the installation of the rest blade assemblies



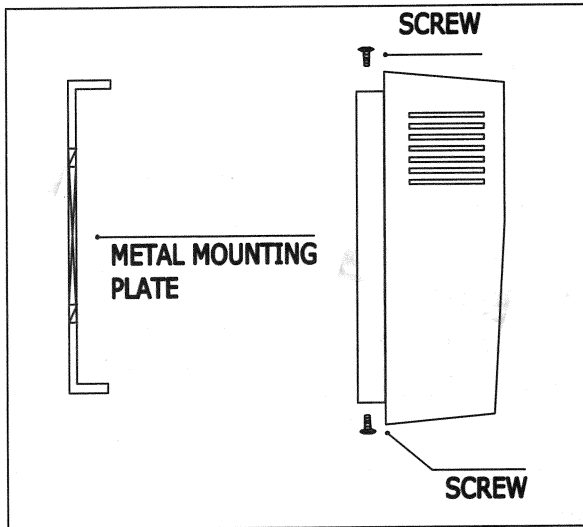
STEP 5 - Install the J-hook into the fan box by 2 screws
Hang the fan to the J-hook .
Connect the wires according to wiring diagram.
Secure the upper canopy in place by 3) Upper canopy set screw

Note: Make sure electrical power is turned off

READ AND SAVE THESE INSTRUCTION
INSTALLATION INSTRUCTIONS FOR 5-SPEED WALL CONTROL

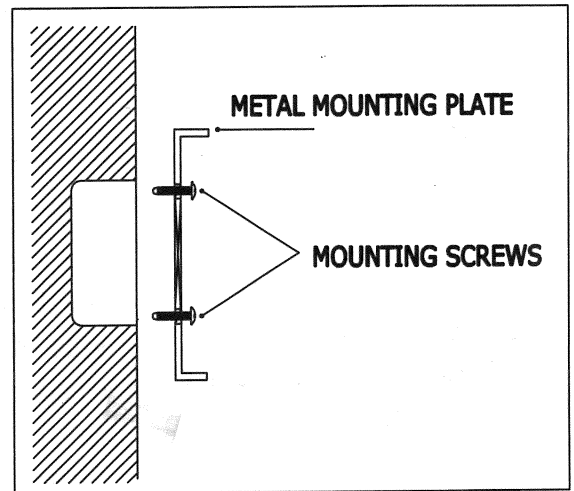
BE SURE POWER IS OFF WHILE DOING THIS JOB.

FIG. 1



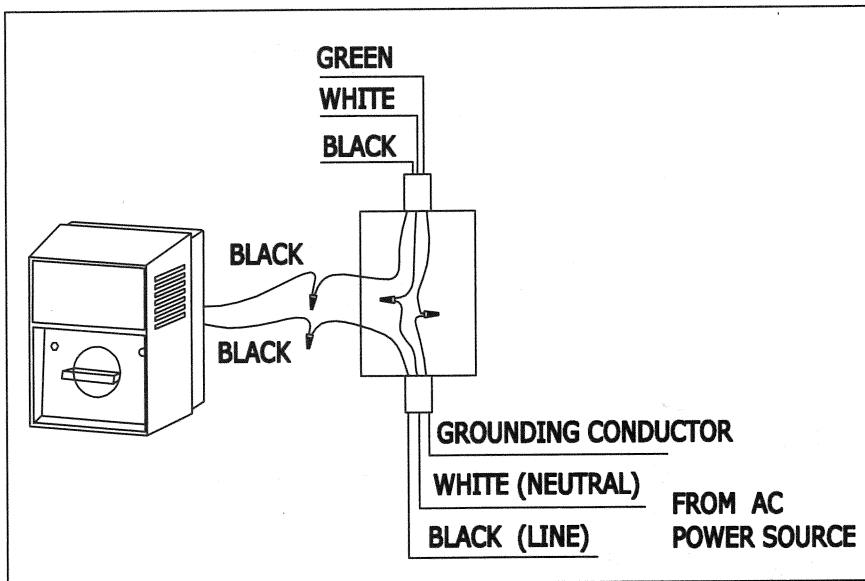
Loosen two screws and remove metal mounting plate

FIG. 2



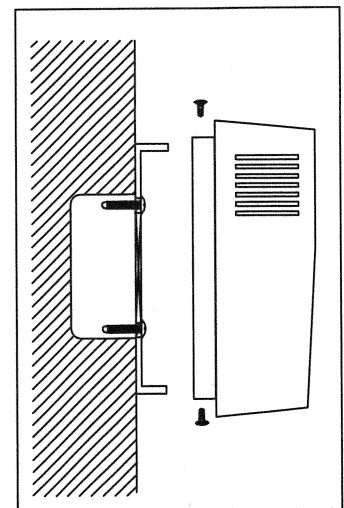
Fix metal mounting plate onto outlet box with two mounting screws

FIG. 3



Connect 5-speed wall control black wire to supply black(line) wire and 5-speed wall control black wire to fan black wire.

FIG. 4



Secure 5-speed wall control to metal mounting plate with the the two screws removed in FIG. 1