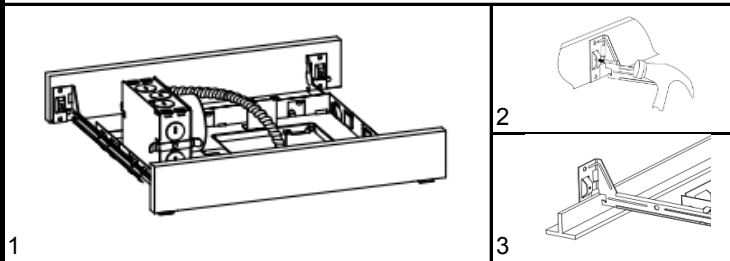


### HOUSING INSTALLATION

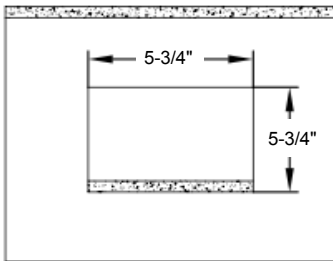
#### 1. FASTENING FIXTURE TO CEILING

- Joist-type ceiling-extend bar hangers to fit between joists. Position fixture temporarily by hammering "Nail" into joists. (Drawing2) then secure permanently with nails Hanger should be level with bottom of joists.
- Suspended (T-bar) ceilings-extend bar hangers 1" past T-bars, then rest fixture on T-bars, Secure fixture to T-bars with wire (drawing3)



#### 2. CUTTING A HOLE

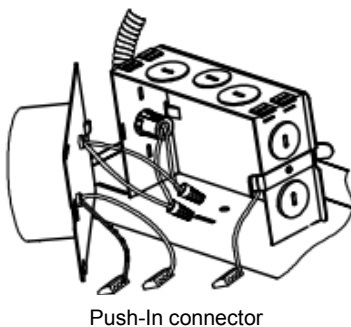
Locate the center of proposed opening on your tile or ceiling material and mark it.



**TURN OFF POWER AT BREAKER PANEL BEFORE WIRING**

#### 3. ELECTRICAL CONNECTION

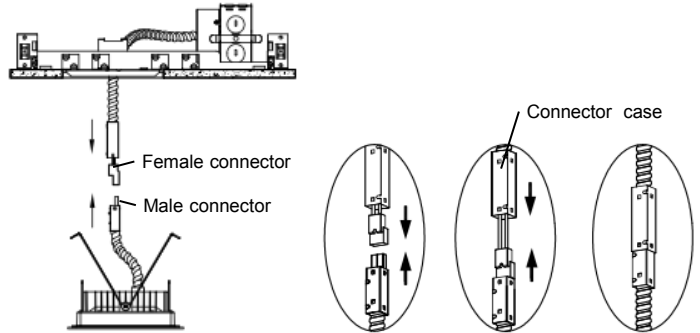
1. Remove spring latched junction box door and connect fixture wires to building wires in the following sequence White fixture wire to white neutral wire black fixture wire to (hot) black wire and green ground wire to bare ground wire
2. Use push-in type wire connectors supplied or white nuts
3. Replace ju



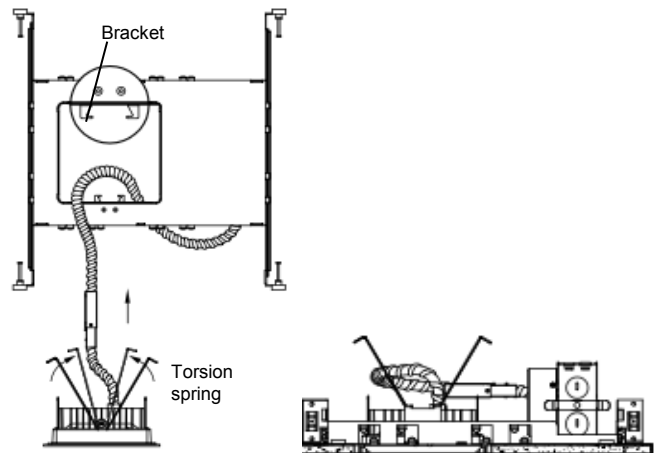
Push-In connector

### TRIM INSTALLATION

1. Connect Female and male connector
2. Connect cases of female and male connector by pushing



3. Secure square trim into housing by squeezing the ends of torsion springs together, inserting them into the brackets inside the housing, then releasing the springs.



### TRIM RING INSTALLATION

- \* Secure square ring into the trim by squeezing the ends of torsion springs together, inserting them into square holes, then releasing the springs.

