



**Note:** Warm up time is 10 seconds. After the sensor is connected for the first time, the light will stay on for 10 seconds, then dim. This indicates proper function of the sensor.

**Note:** Detection range, Hold time, Daylight sensor, Stand-by period and Stand-by dimming level of the sensor can be manually adjusted by dials on the sensor. All other sensor settings are set to factory default and require the optional remote control to change settings.

**SAVE THESE INSTRUCTIONS**

### Introduction

The H12V3SENSORMW3PBG is a motion sensor that controls lighting based on movement. This low-profile sensor is designed for field installation into a socket on the bottom side of the fixture. The microwave sensor uses low power microwave sensing technology that react to changes in movement within the coverage area. Once the sensor stops detecting movement and the hold time elapses, lights will go to standby dimming level and eventually to off after the standby period elapses.

Sensors must directly “see” motion of a person or object to detect them, so careful consideration must be given to the sensor placement. Avoid placing the sensor where obstructions may block the sensor’s line of sight or near to metal structures or surfaces as this can cause stray reflections of the signal and give false readings.

Note: If the light is on while setting parameters, the light will blink once to indicate the setting change. Remote control settings, “CCT” and “o” are not available for use.

### What’s In The Box



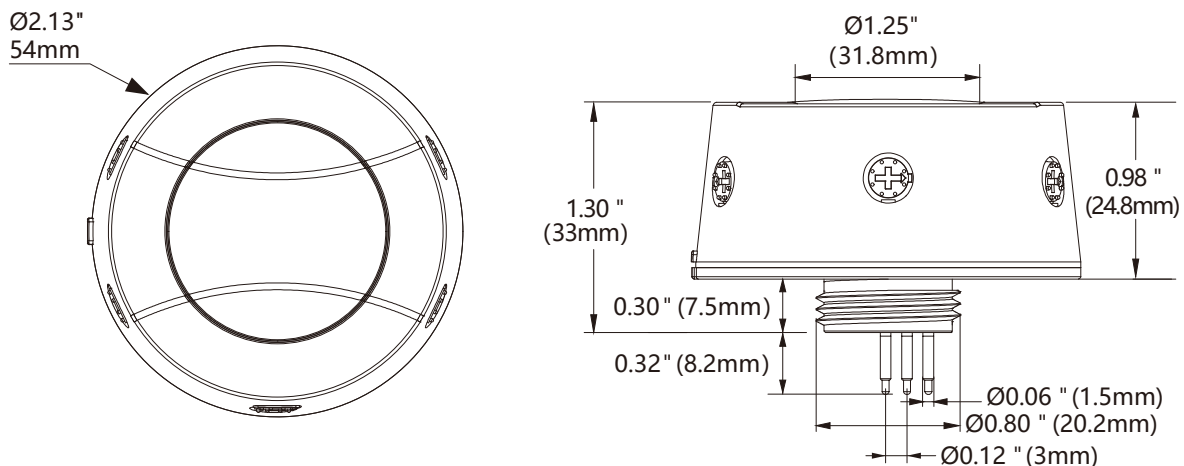
One (1) 12V Microwave sensor  
H12V3SENSORMW3PBG

### Available Accessory



Remote Control  
H12V2REMOTE

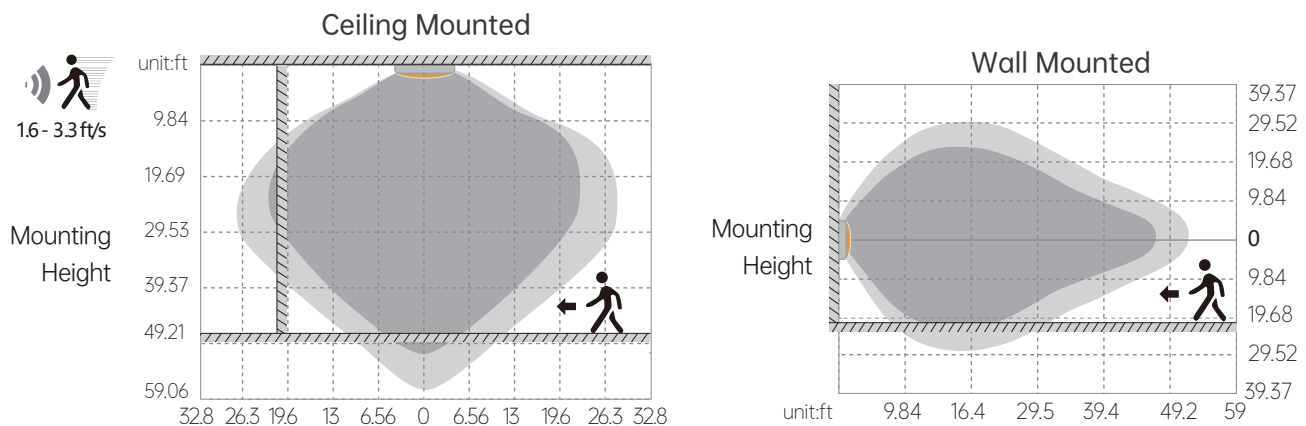
### Dimensions



### Parameters (default settings in **bold**)

Voltage Input	12-24VDC
Signal	NO/OFF ,0-10V dimming , Remote can switch off signal receiving
Frequency	5.8GHz±75MHz
Stand-by Power	<30mA
Installation Height	≤15m/49.21 Max.
Control device	H12V2REMOTE remote, "MH"control ON/OFF of signal receiving , 5 pcs rotating switch setting setting
Hold Time	Set by remote control : 5s / 30s / <b>1min</b> / 3min / 5min / 10min / 20min / 30min Rotating switch : 5s/ <b>1min</b> / 5min/10min
Detection Area	Set by remote control : 25%/50%/75%/ <b>100%</b> Rotating switch : 25% / 50% / 75% / <b>100%</b>
Daylight Threshold	Set by remote control (lux): <b>Disable</b> /400Lux/350Lux/300lux/250Lux / 200Lux/120lux/80lux/50lux/ 30lux/10lux/2lux Rotating switch : Disable/400Lux/200Lux/50Lux
Stand-by Dimming Level	Set by remote control : 10%/ <b>20%</b> / 30%/ 50% Rotating switch : 10%/ <b>20%</b> / 30%/ 50%
Stand-by Period	Set by remote control : 0s/10s/30s/ <b>1min</b> /5min/10min/30min/60min/+∞ Rotating switch :0s/10min/30min/+∞
Dusk/Dawn Sensing/Photocell	1. STANDBY DIM LEVEL as any of 10% 20% 30% 2. STANDBY PERIOD as infinite 3. DAYLIGHT as any of 30Lux/50Lux/80Lux/120Lux/200Lux/250Lux/300Lux/350Lux/400Lux
Daylight Harvesting	1. Stay in SENSOR MODE 2. STANDBY PERIOD as 0S 3. DAYLIGHT as any of 50Lux/80Lux/120Lux/200Lux/250Lux/300Lux/350Lux/400Lux 4. Press DAYLIGHT HARVESTING button to ON
Fixture Brightness	Set by remote control: <b>100%</b> and adjustable in increments of 5%. Consult fixture spec sheets for exact data.
Environmental Requirements	In accordance with CE ROHS
Working Temp	-68°F to 140°F (-20°C to +60°C)
IP Rating	IP65

### Detection Coverage



**Highest mounting height is 15m/49.21ft**

This figure indicates the maximum distance at the highest mounting height with 100% sensitivity.

■ Well Detected Area      ■ Possibly Detected Area