

To prevent death, injury or damage to property, this product must be installed in accordance to National Electrical Code (NFPA70) in the US or Canadian Electrical Code (CSA 22.1) in Canada.

Risk of fire or electric shock. The electrical rating of these products are 120-277 Vac, the installer must determine whether they have 120-277 V at the luminaire before installation.

Risk of fire or electric shock. LED Commercial High Bay installation requires knowledge of luminaires electrical systems. If not qualified, do not attempt installation. Contact a qualified electrician.

To prevent wiring damage or abrasion, do not expose wiring to edges of sheet metal or other sharp objects.

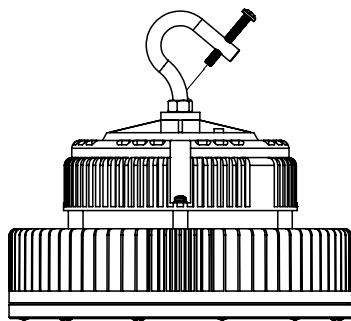
Disconnect power before installing the product or servicing it.

Wait until fixture has cooled down before installing or servicing the fixture.

MIN. 90°C SUPPLY CONDUCTORS



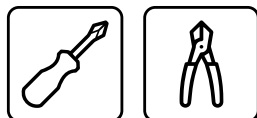
### What's In The Box



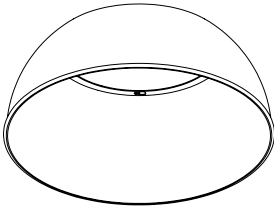
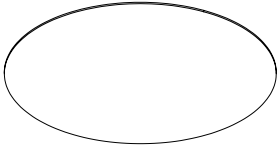
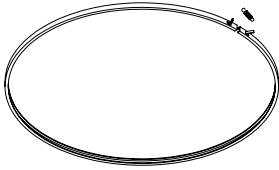
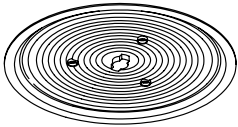
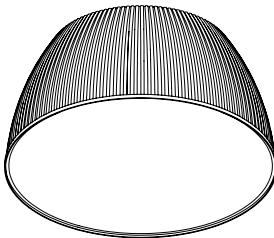
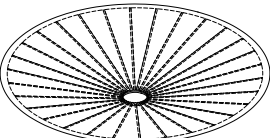


One (1) HBC-20 LED High Bay

### Tools Needed

This HBC-20 LED High Bay requires very few tools for installation. A screwdriver and a pair of wirecutters will help to install the reflector and fasten the mounting hook.

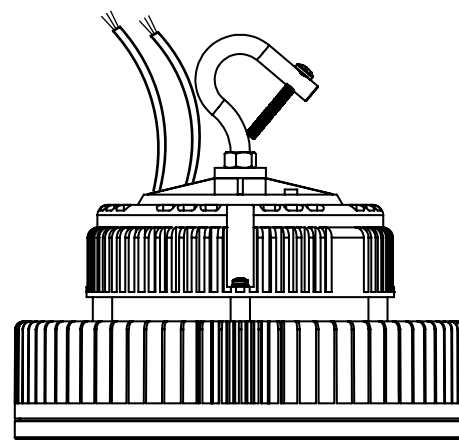
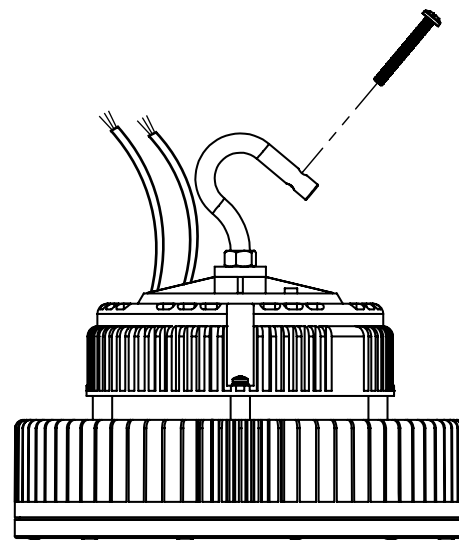


### Optional Accessories *(Sold Separately)*

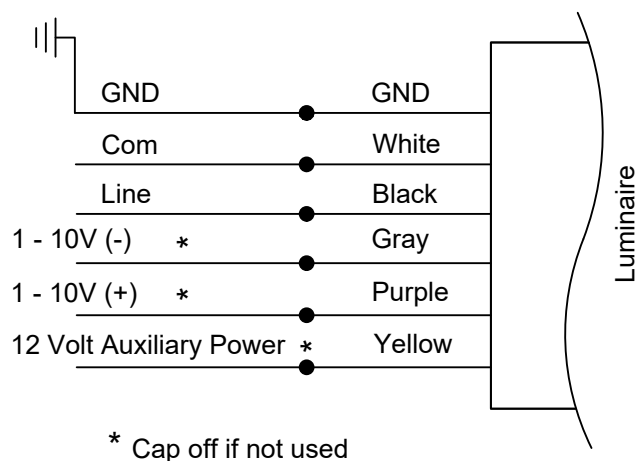
 <p>Aluminum Reflector</p>	 <p>Aluminum Reflector Shield</p>	 <p>Clamp Ring &amp; Spring</p>	 <p>60° Lens</p>
 <p>Plastic Reflector</p>	 <p>Plastic Reflector Shield</p>	 <p>Gasket</p>	 <p>Three (3) screws</p>

### Mounting with HBC-20 Fixture

- ① Carefully unpack the fixture from its packaging. Inspect product for defects due to shipping.
- ② Install reflector if purchased.
- ③ Turn off power to appropriate circuit at the breaker panel.
- ④ Locate stable structure to hang fixture.
- ⑤ Fixture can be mounted with chain, cable, pendant, etc. Ensure fixture is within 3 feet of wire distance from the junction box for wiring. Fasten screw on mounting hook to ensure safety.
- ⑥ Make wiring connections following wiring diagram.

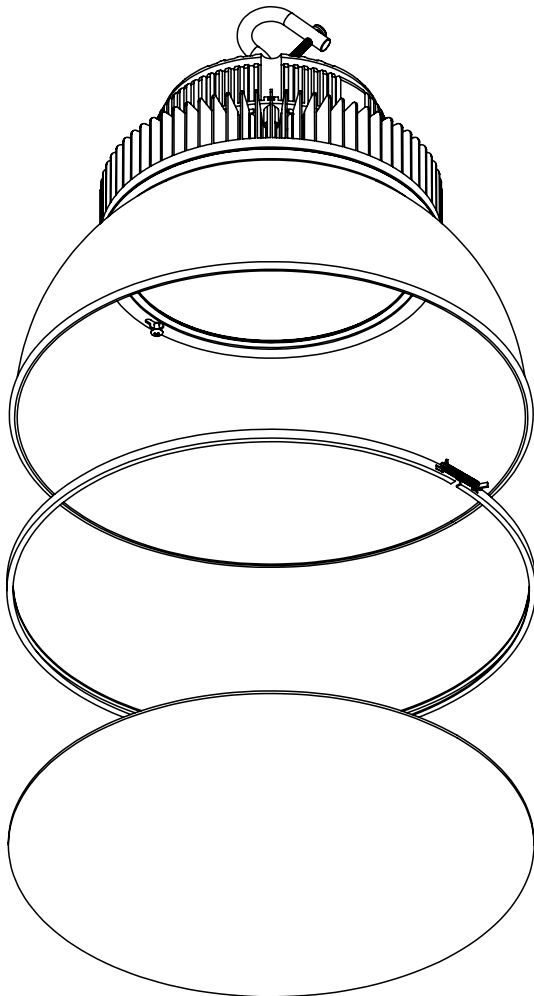
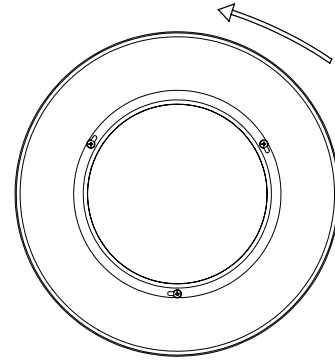


### Wiring Diagram

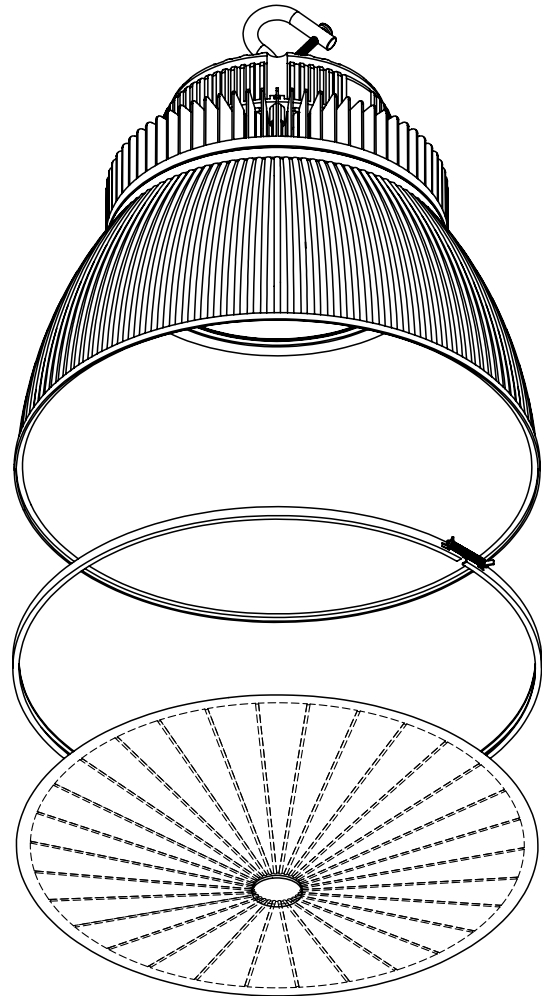


### Installing Plastic OR Aluminum Reflectors

- 1 Loosen (3) protruding screws on HBC-20. Place reflector over protruding screws and twist to lock.
- 2 Fasten screws back into fixture.
- 3 Place shield on reflector.
- 4 Place clamp ring around reflector and shield.  
*Note: Add gasket before clamp ring if required.*
- 5 Secure clamp ring with spring.



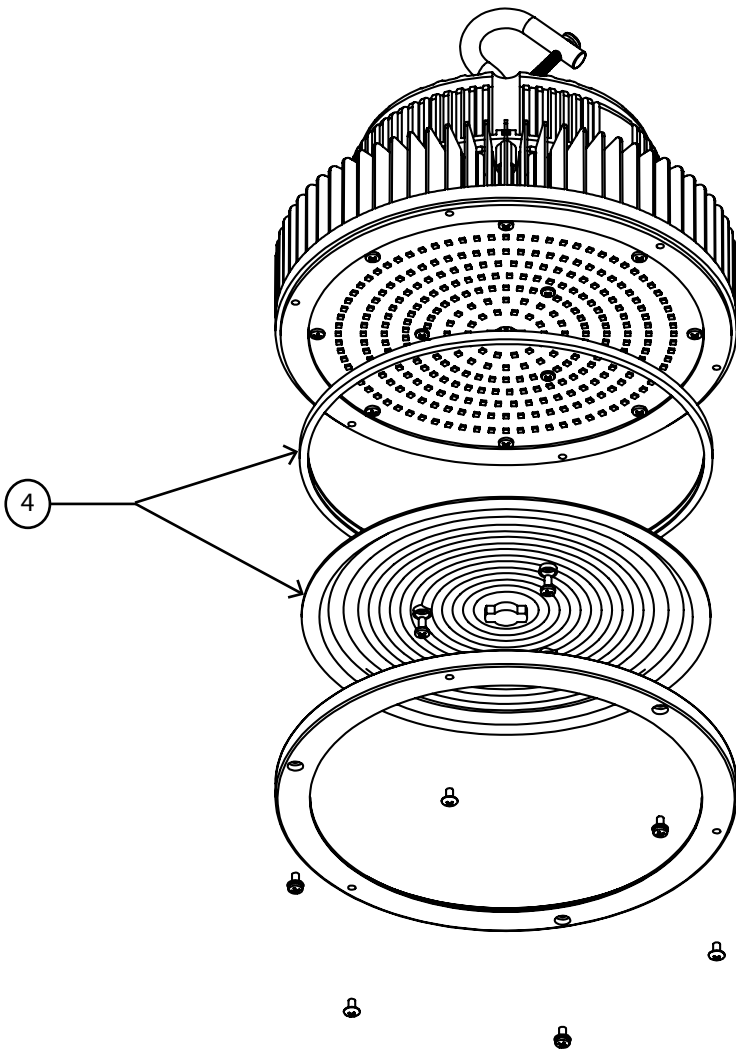
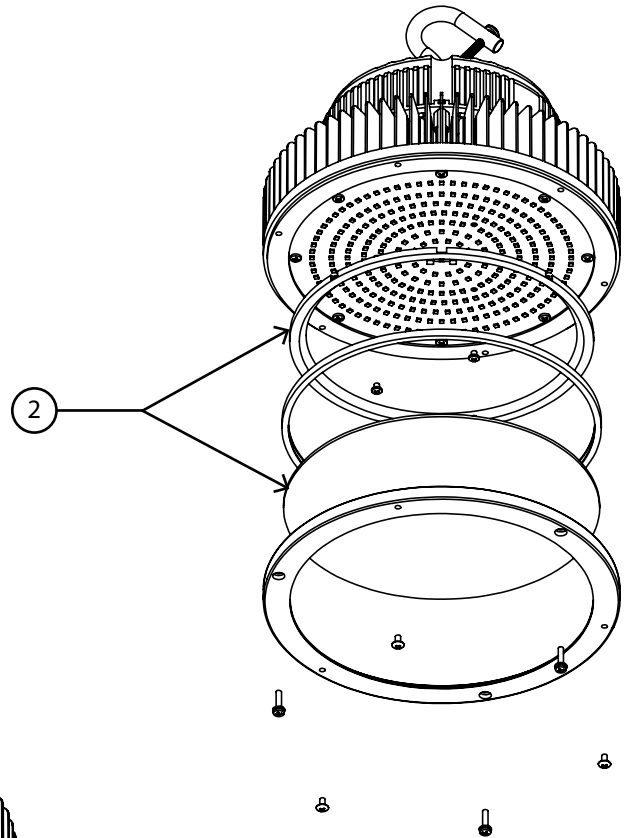
Aluminum Reflector



Plastic Reflector

### Installing 60° Lens

- 1 Remove the six (6) screws on HBC-20 face plate, retaining screws.
- 2 Discard clear lens and white trim. Keeping the gasket.
- 3 Remove the three (3) screws from the LED array and discard.
- 4 Place gasket around the plastic lens.
- 5 Install Lens over array using three (3) new screws provided.
- 6 Reinstall the six (6) face plate screws.



### LED EXPRESS LIMITED WARRANTY

Subject to the exclusions below, each NICOR LED product, including the LED electronics and components of a property installed NICOR LED product, will be free from defect in materials and workmanship for a period of five (5) years from the original date of purchase. The product shall be considered defective only if 10% or more of the product's LED components fail. NICOR LED product warranty covers the following performance criteria: LED Light Output will be maintained above 70% of initial output; LED color temperature will not shift more than 200K in CCT; LED driver will operate within NICOR specifications; and the fixture finish, excluding natural aluminum or brass products, will not exhibit cracking, peeling, excessive fading, or corrosion during the warranty period. Exceptions apply as defined in NICOR's product specification sheets, which are incorporated by reference herein.

This limited warranty is provided to you, the purchaser of the product identified on Seller's invoice, as your exclusive remedy and applies only to NICOR products that have been purchased from an authorized NICOR Distributor; the product was new and in an unopened NICOR package at the time of installation; and the NICOR product was installed by a licensed electrician or under the supervision of a licensed electrician and used by consumers in the United States or Canada when accompanied with this warranty. This warranty extends only to the first consumer purchaser and is not transferable. A consumer wishing to invoke the terms of this limited warranty must first obtain a RGA number within 30 days of discovery of the defect, and return the product to NICOR for inspection. Once verified to be covered by this limited warranty, NICOR will, at its sole discretion, repair, replace, or refund the purchase price of any product that does not conform to this limited warranty. If NICOR, at its sole discretion, determines that the product should be repaired or replaced, this warranty is limited to the reasonable, customary, and necessary costs and expenses associated with the repair/replacement. This warranty requires that all repair/replacement estimates and costs, including but not limited to equipment rental (if any), and any other cost or expense to be incurred in the repair/replacement of the product, be approved in advance and in writing by NICOR. FAILURE TO OBTAIN NICOR'S ADVANCE WRITTEN APPROVAL OF ALL REPAIR/REPLACEMENT COSTS AND EXPENSES IN WRITING SHALL VOID THIS LIMITED WARRANTY.

### THIS LIMITED WARRANTY DOES NOT COVER THE FOLLOWING:

- Defects or damages resulting from improper installation, operation, storage, misuse or abuse, accident, or neglect;
- Defects or damages resulting from improper service, testing, adjustment, installation, maintenance, alteration, connection to out-of specification electrical service, corrosive or damp environments, or connection to incompatible equipment or devices (e.g., connecting non-dimmable lighting products to dimmers);
- Damage which occurs in transit;
- Power surges or overheating due to external conditions;
- Acts of nature including but not limited to lightning strikes

ANY IMPLIED WARRANTIES, INCLUDING WITHOUT LIMITATION, THE IMPLIED WARRANTIES OF MERCHANTABILITY AND FITNESS FOR A PARTICULAR PURPOSE SHALL BE LIMITED TO THE DURATION OF THIS LIMITED WARRANTY, OTHERWISE THE REPAIR, REPLACEMENT, OR REFUND AS PROVIDED UNDER THIS EXPRESS LIMITED WARRANTY IS THE EXCLUSIVE REMEDY OF THE CONSUMER, AND IS PROVIDED IN LIEU OF ALL OTHER WARRANTIES, EXPRESS OR IMPLIED. IN NO EVENT SHALL NICOR BE LIABLE, WHETHER IN CONTRACT OR IN TORT (INCLUDING NEGLIGENCE) FOR DAMAGES IN EXCESS OF THE PURCHASE PRICE OF THE PRODUCT, OR FOR ANY INDIRECT, INCIDENTAL, SPECIAL OR CONSEQUENTIAL DAMAGES OF ANY KIND, OR LOSS OF REVENUE OR PROFITS, LOSS OF BUSINESS OR OTHER FINANCIAL LOSS ARISING OUT OF OR IN CONNECTION WITH THE ABILITY OR INABILITY TO USE THE PRODUCT TO THE FULL EXTENT THESE DAMAGES MAY BE DISCLAIMED BY LAW.

Copyright 2014, NICOR, Inc.  
Revised October 2017

**Thank You**  
For Your Purchase!

WE WOULD LIKE TO HEAR FROM YOU



WRITE A REVIEW



Scan QR Code or Visit  
[nicorlighting.com/support/survey](http://nicorlighting.com/support/survey)

