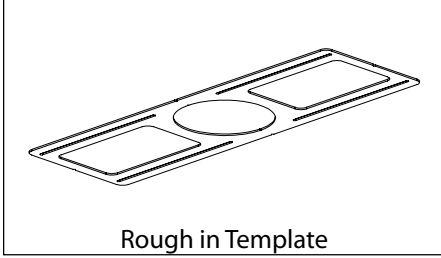


What's In The Box



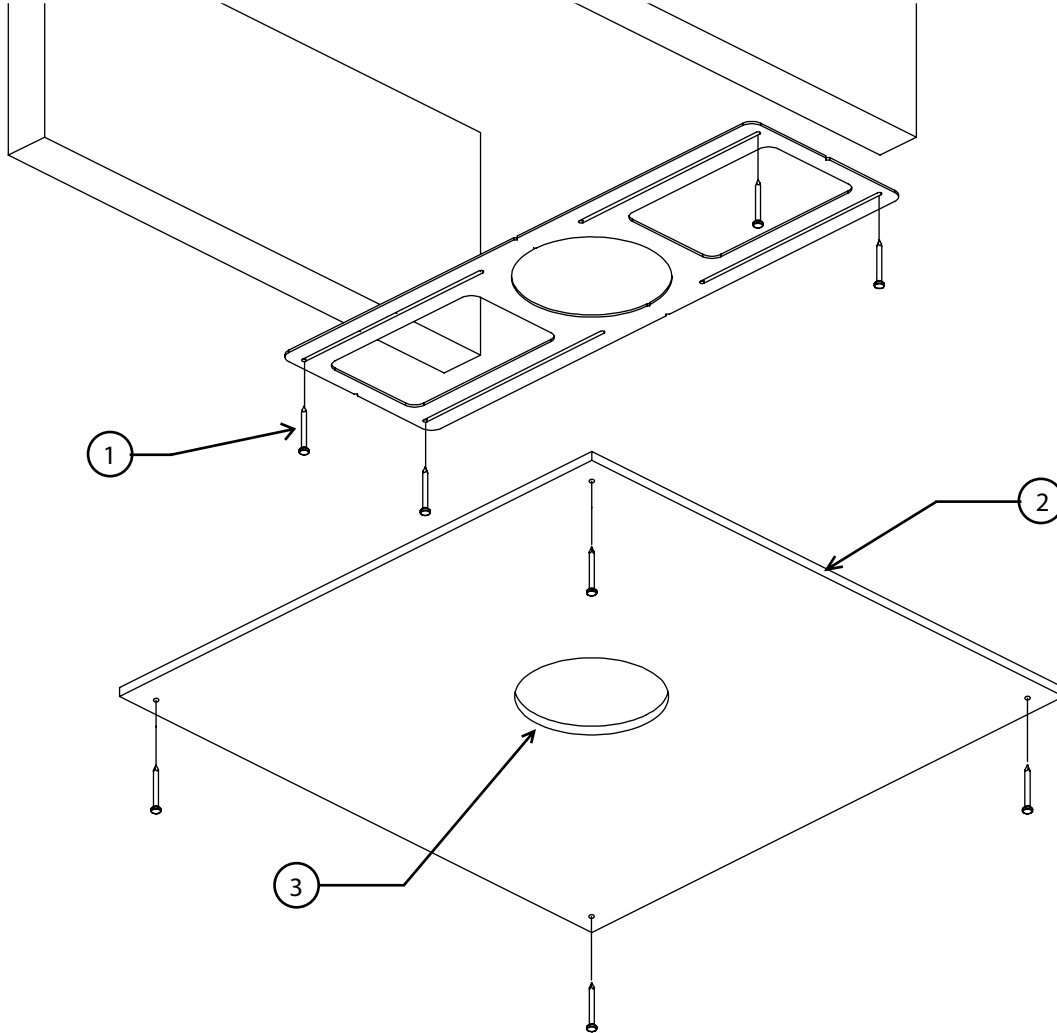
Tools Needed

This Roughin-Template requires very few tools for installation. A power drill or a hammer will help to install the Roughin-Template to a ceiling joist or rafter tie.



Compatibility

ROUGHIN-TEMPLATE-2	DRD2, DQD2
ROUGHIN-TEMPLATE-3	DGD3, DLE3
ROUGHIN-TEMPLATE-4	DGD4, DLE4RD, DLE4SQ
ROUGHIN-TEMPLATE-6	CLR6, DLE6RD, DLE6SQ
ROUGHIN-TEMPLATE-8	CLR8, DLE8



NOTE: Review product installation instructions first for any wiring required before drywall installation.

- ① Secure Roughin-Template to the ceiling joist using appropriate fasteners (not provided). Make sure to align with other plates as needed.
- ② Install drywall to the ceiling.
- ③ Cut out Roughin-Template opening from the drywall.