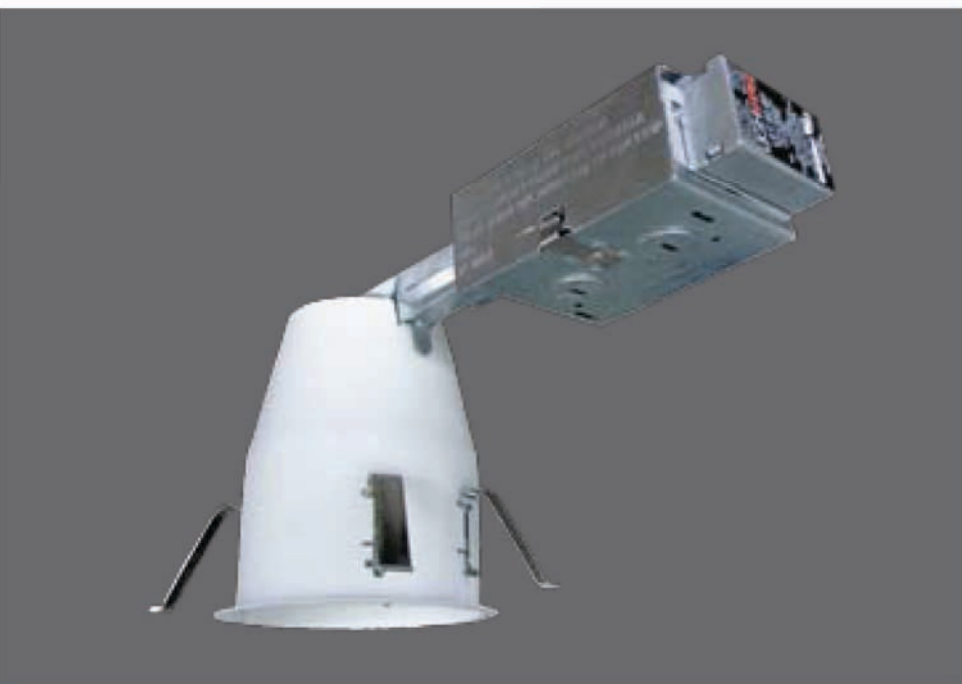
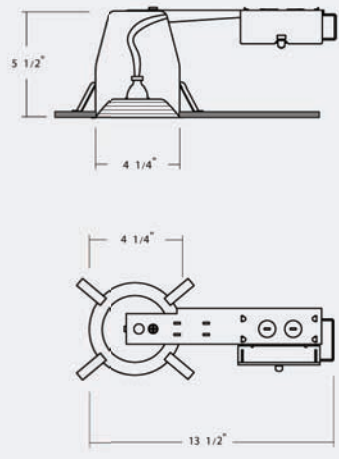


Project:	Comments:	Type:
Catalog No:	Prepared by:	Date:

14101ARET Remodel Airtight Housing (Electronic Transformer)



INSULATION MUST BE KEPT A MINIMUM OF 3" FROM HOUSING



DESCRIPTION

Suitable for new construction in residential and commercial applications.
 NON-IC. Insulation must be kept a minimum of 3" from housing.

HOUSING

Washington State Energy Code approved to meet restricted airflow requirements.
 Airtight housing limits the exchange of air between ceiling plenum and heated/cooled areas.
 Transformer includes integral thermal protector guards against improper lamping and misuse of insulation materials.
 Use low voltage 20W - 50W MR-16 or JC type lamps (12V) (not included).
 Class 2 50W electronic transformer, step down from 120V to 12V.
 Use dimmers specifically designed for low voltage electronic transformers.
 5 1/2" height allows use in 2" x 6" joist construction.

JUNCTION BOX

Listed for through branch circuit wiring and includes several 3/4" knockouts.
 Supplied with three IDEAL® push-in wire connectors.

LISTINGS

UL damp location
 UL feed-through
 CUL

