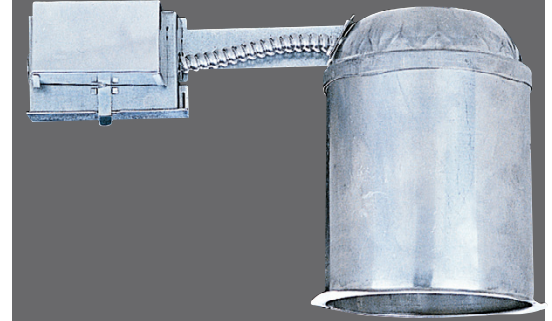


*Project* *Comments*

*Catalog #* *Prepared By*

*Type* *Date*



**DESCRIPTION**

- Suitable for new construction in residential and commercial applications.
- IC rated. Suitable for direct contact with insulation.
- Use one 13W double twin tube, GX23-2 (not included).

**HOUSING**

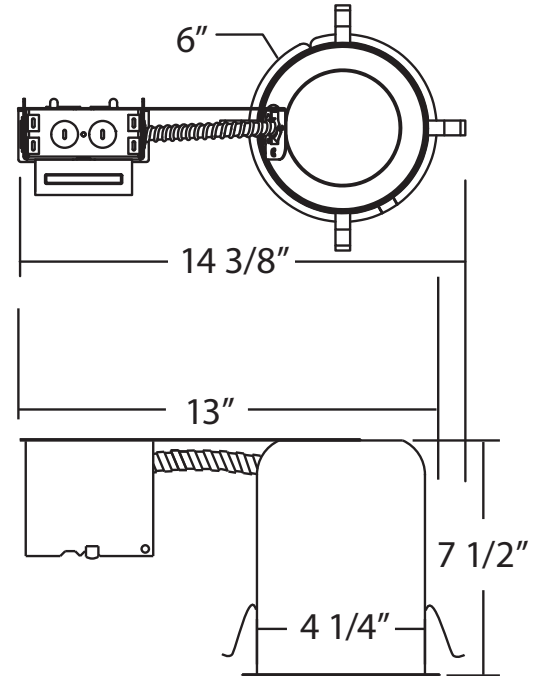
- Aluminum construction provides greater heat dissipation.
- Washington State Energy Code approved to meet restricted airflow requirements.
- Airtight housing limits the exchange of air between ceiling plenum and heated/cooled areas.
- Ballast includes integral thermal protector guards against improper lamp use and misuse of insulation materials.
- 120-277V Universal input electronic ballast.
- 7 1/2" height allows use in 2" x 8" joist construction.

**JUNCTION BOX**

- Listed for through branch circuit wiring and includes several 3/4" knockouts.
- Supplied with three IDEAL® push-in wire connectors.

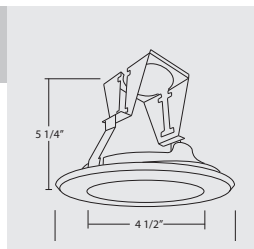
**LISTINGS**

- UL listed for direct contact with insulation
- UL damp location
- UL feed-through
- CUL

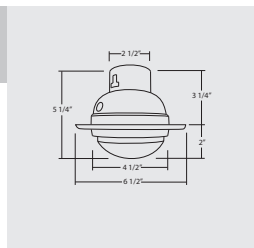




Order No	Description	Maximum Lamp Rating
15502	<b>Fresnel Shower</b> White	75W   BR30/PAR30 60W   A19 OD: 6&1/2" Wet Location Rated



Order No	Description	Maximum Lamp Rating
15509	<b>Shower Drop Opal</b> White (shown)	1x13WW   G24Q-1 OD: 6&1/2" Wet Location Rated
15509OB	Oil-Rubbed Bronze	



Order No	Description	Maximum Lamp Rating
15518BK	<b>Baffle</b> Black	1x13W   G24Q-1 OD: 6&1/2"
15518CL	Clear	
15518GD	Gold (shown)	
15158WH	White	
15518WHZ-ABZ	Wheat Haze (Aged Bronze Ring)	

