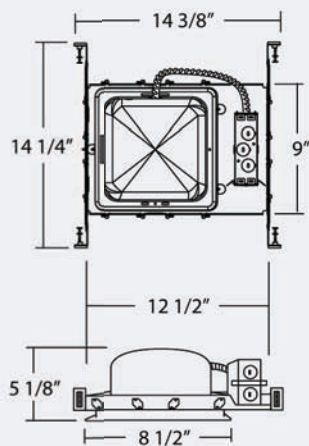


Project:	Comments:	Type:
Catalog No:	Prepared by:	Date:

17800 Square Housing With Albalite Lens Included



INSULATION MUST BE KEPT A MINIMUM OF 3" FROM HOUSING



Albalite Lens
 * Finish - White
 • Dim - 9.5" X 9.5"

DESCRIPTION

Suitable for new construction in residential and commercial applications.

A square housing for use with up to 100W A19 lamps. NON-IC. Insulation must be kept a minimum of 3" from housing.

HOUSING

Aluminum construction provides greater heat dissipation.

Integral thermal protector guards against improper lamping and misuse of insulation materials.

5 1/8" height allows use in 2" x 6" joist construction.

PLASTER FRAME

Housing is secured to plaster frame with screws and can be removed for access to junction box.

Housing adjusts from 1/2" to 1" to accommodate ceiling thickness.

JUNCTION BOX

Listed for through branch circuit wiring and includes several 3/4" knockouts. Four pry-outs with integral strain relief simplify Romex installation.

Supplied with three IDEAL® push-in wire connectors.

HANGER BARS

Heavy-gauge NICOR captive hanger bars provide greater stability, allowing housing to be positioned at any point within a 24" joist span, then locked in place with set screws. Unique hanger bar lip design helps align can to joist. Four double-headed captive nails provide for ease of installation.

Bars can be repositioned 90° on plaster frame without tools.

Bars fit onto T-bar spine for quick alignment and can be permanently secured.

Score lines allow bars to be shortened without tools to accommodate a 12" joist span.

LISTINGS

UL damp location

UL feed-through

CUL

ALSO AVAILABLE

17800CG Cover and glass only.

