

# 18202

## AC-Only Emergency Light (Wet Location)

### Product Description

The 18200 Series Exit Combo is an AC only emergency lighting unit that is housed in an ABS, corrosion-resistant UV stabilized enclosure making it a durable option for wet location applications. It is available in white with red or green lettering and offers one faceplate, an LED indicator light and a push to test switch.

#### Construction

- ABS, corrosion-resistant UV stabilized enclosure
- Removable directional indicators
- Wet location listed
- Red or green text with 6" letter height
- Single face configuration only

#### Electrical

- AC Only
- Universal 120/277VAC operation
- Extremely low operating costs
- Meets NFPA Life Safely 101, NEC, OSHA, local and state codes

#### Installation

- Surface mounting with four screws and anchors

### PRODUCT INFORMATION

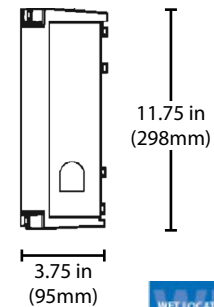
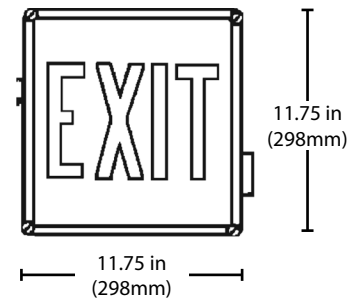
Input Voltage (V):	120-277
Power Draw (W):	4 watts

Project

Catalog

Type

Date



### Ordering Information

Series	Voltage	Housing Color	Lettering Color	Number of Faceplates
18202WLR	UNV (120-277V)	White	Red	1
18202WLG	UNV (120-277V)	White	Green	2

This device complies with part 15 of the FCC Rules. Operation is subject to the following two conditions: (1) This device may not cause harmful interference, and (2) this device must accept any interference received, including interference that may cause undesired operation.

NOTE: This equipment has been tested and found to comply with the limits for a Class A digital device, pursuant to part 15 of the FCC Rules. These limits are designed to provide reasonable protection against harmful interference when the equipment is operated in a commercial environment. This equipment generates, uses, and can radiate radio frequency energy and, if not installed and used in accordance with the instruction manual, may cause harmful interference to radio communications. Operation of this equipment in a residential area is likely to cause harmful interference in which case the user will be required to correct the interference at his own expense.