

18300SRA

Edge-lit LED Recessed Mounted Exit Sign

Product Description

This translucent exit sign features long-life and energy-saving LED technology in an low-profile compact design. The 18300 offers a T-grid hanger hardware, a self contained battery and premium high-output ultra-bright LEDs. The 18300 offers an attractive modern safety signage option for any commercial project.

Construction

- Compact, low-profile design
- Red text with 6" letter height
- Single or double face configuration
- Anodized aluminum housing
- Spec grade
- In-field-installable directional indicators.

Electrical

- 120/277VAC transformer
- Energy consumption of less than 3 watts for AC only and less than 5 watts for battery backup units.
- Emergency battery backup model (EM) is completely self-contained.

Installation

- Easy to install T-grid hanger hardware

PRODUCT INFORMATION

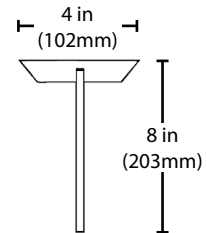
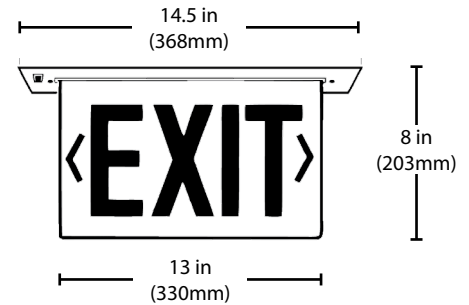
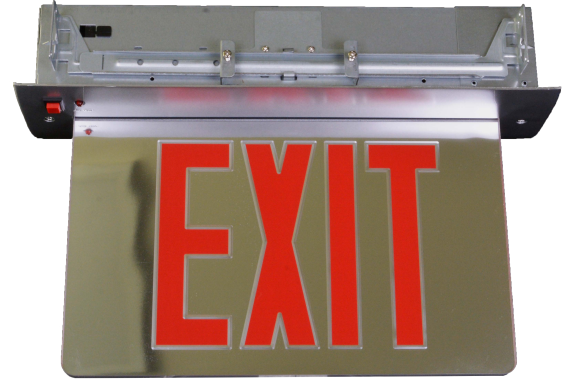
Input Voltage (V):	120-277
Power Draw (W):	<3 watts
Emergency Battery:	90 minutes

Project

Catalog

Type

Date



Ordering Information

Series	Voltage	Housing Color	Lettering Color	Number of Faceplates	Operation
18300SRAEM	UNV (120-277V)	Aluminum	Red	1	Battery Backup

This device complies with part 15 of the FCC Rules. Operation is subject to the following two conditions: (1) This device may not cause harmful interference, and (2) this device must accept any interference received, including interference that may cause undesired operation.

NOTE: This equipment has been tested and found to comply with the limits for a Class A digital device, pursuant to part 15 of the FCC Rules. These limits are designed to provide reasonable protection against harmful interference when the equipment is operated in a commercial environment. This equipment generates, uses, and can radiate radio frequency energy and, if not installed and used in accordance with the instruction manual, may cause harmful interference to radio communications. Operation of this equipment in a residential area is likely to cause harmful interference in which case the user will be required to correct the interference at his own expense.