

27800EBM2X

8" 2X Compact Fluorescent Architectural Horizontal Frame-In

Product Description

Suitable for new construction in commercial applications where uniform light distribution is required.
NON-IC. Insulation must be kept a minimum of 3" from housing.

Frame-In

Designed for horizontally mounted compact fluorescent lamp.
120-277V Universal input electronic ballast.
Ballast includes integral thermal protector for over-lamping.
Lamp type: 2X26W, 32W or 42W G24Q (not included).
Universal mounting bracket accepts #17203 flat bar hanger, #17208 C-channel bar and 1/2" EMT.

Junction Box

Listed for through branch circuit wiring and includes several 3/4" knockouts for commercial wiring. Supplied with three IDEAL® push-in wire connectors.

Hanger Bar Bracket

Universal brackets accept C-channel or flat bar hangers (ordered separately); alternately, use rigid 1/2" steel conduit for tie-down to ceiling grids.

Emergency Option

NICOR emergency ballast 650L4FEB provides 650 Lumen for minimum 90 minutes in the event of a power failure.

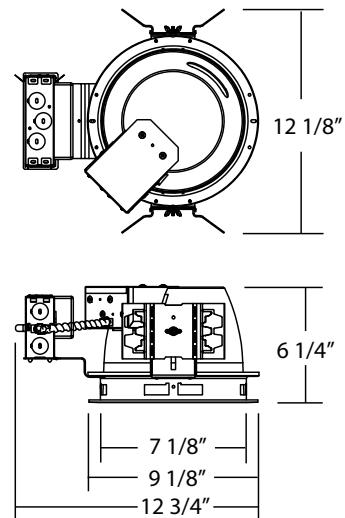
Listings

UL damp location
UL feed-through
CUL

Project

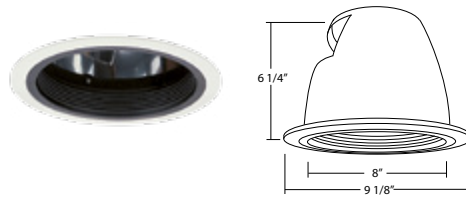
Catalog

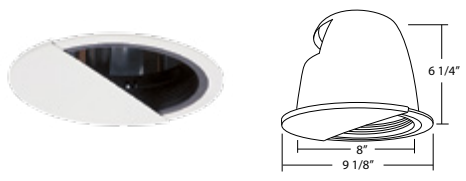
Type

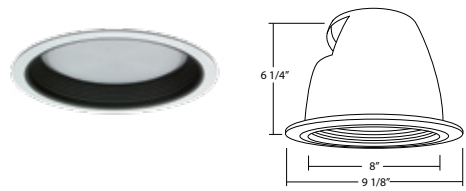


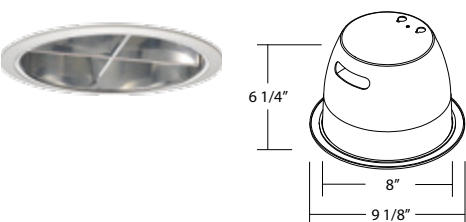
27800EBM2X26 8" 2X26 Compact Fluorescent Architectural Horizontal frame-In

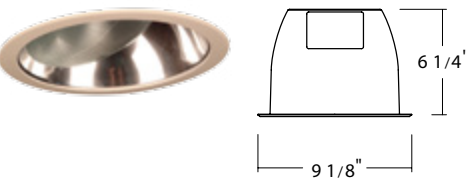
Reflector	Order No	Color	Maximum Lamp Rating
	17815CL	Clear (shown)	OD: 9&1/8"

Baffle Reflector	Order No	Color	Maximum Lamp Rating
	17832BK	Black (shown)	OD: 9&1/8"
	17832WH	White	

Baffle Wall Wash	Order No	Color	Maximum Lamp Rating
	17835WH	White	OD: 9&1/8"

Reflector with Albalite Lens	Order No	Color	Maximum Lamp Rating
	17838WH	White	OD: 9&1/8"

Reflector with Louver	Order No	Color	Maximum Lamp Rating
	17842CL	Clear (shown)	OD: 9&1/8"
	17842GD	Gold	

Baffle	Order No	Color	Maximum Lamp Rating
	17844CL	Clear	OD: 9&1/8"
	17844GD	Gold (shown)	