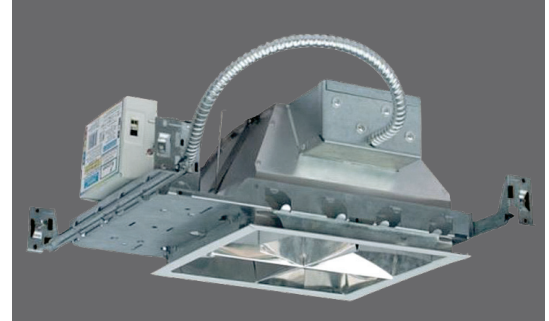


Project *Comments*

Catalog # *Prepared By*

Type *Date*



DESCRIPTION

- Suitable for new construction in residential and commercial applications.
- NON-IC. Insulation must be kept a minimum of 3" from housing.
- Uses 2x26W 4-pin G24Q-1 (not included)

HOUSING

- 5 1/2" height allows use in 2" x 8" joist construction.
- 120-277V Universal input electronic ballast.

Plaster Frame

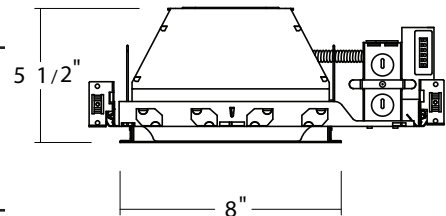
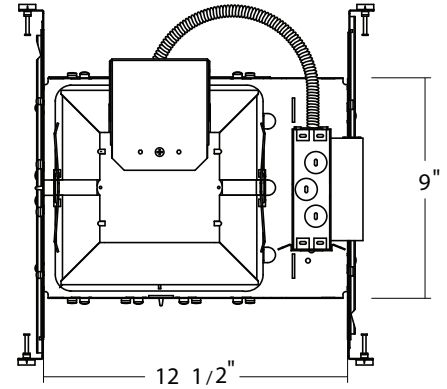
- Housing is secured to plaster frame with screws and can be removed for access to junction box.
- Housing adjusts from 1/2" to 1 1/2" to accommodate ceiling thickness.

JUNCTION BOX

- Listed for through branch circuit wiring and includes several 3/4" knockouts. Four pry-outs with integral strain relief simplify Romex installation.
- Supplied with three IDEAL® push-in wire connectors.

HANGER BARS

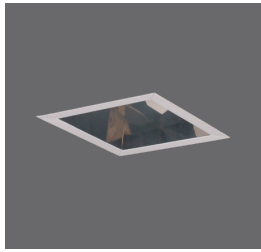
- Heavy-gauge NICOR captive hanger bars provide greater stability, allowing housing to be positioned at any point within a 24" joist span, then locked in place with set screws. Unique hanger bar lip design helps align can to joist. Four double-headed captive nails provide for ease of installation.
- Bars can be repositioned 90° on plaster frame without tools.
- Bars fit onto T-bar spine for quick alignment and can be permanently secured.
- Score lines allow bars to be shortened without tools to accommodate a 12" joist span.



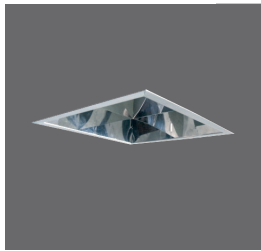
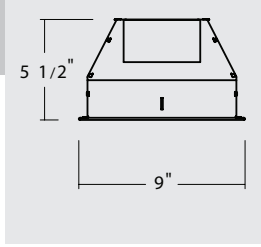
LISTINGS

- UL damp location
- UL feed-through
- CUL

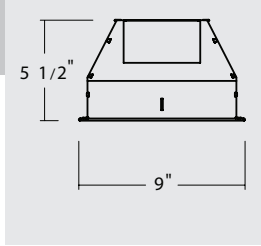




Order No	Description	Maximum Lamp Rating
	Reflector	
27881BK	Black	2x13W-32W Triple 4-Pin Lamp Base G24Q
27881CL	Clear (shown)	
27881GD	Gold	
27881WH	White	



Order No	Description	Maximum Lamp Rating
	Baffle Reflector	
27882BK	Black	2x13W-32W Triple 4-Pin Lamp Base G24Q
27882CL	Clear	
27882WH	White	



Order No	Description	Maximum Lamp Rating
	Reflector with Clear Lens	
27883CL	Clear	2x13W-32W Triple 4-Pin Lamp Base G24Q
27883WH	White	

