



GENERAL SAFETY:

- To reduce the risk of death, personal injury or property damage from fire, electric shock, falling parts, cuts/abrasions, and other hazards, read all warning and instructions included with and on the fixture box and all fixture labels.
- Before installing, servicing, or performing routine maintenance upon this equipment, follow these general precautions.
- Commercial installation, service and maintenance of luminaires should be performed by a qualified licensed electrician.
- DO NOT INSTALL DAMAGED PRODUCT!
- This fixture is intended to be connected to a properly installed and grounded UL listed junction box.
- Make sure that the supply voltage is the same as the luminaire voltage.
- Do not install where the marked operating temperatures exceed the ignition temperatures of the hazardous atmosphere.
- Do not operate in ambient temperatures above those indicated on the luminaire nameplate
- All gasket seals must be clean and undamaged.

WARNING:

RISK OF ELECTRIC SHOCK

- Turn off electrical power at the fuse or circuit breaker box before wiring fixture to the power supply.
- Turn off the power when you perform any maintenance.
- Verify that the supply voltage is correct by comparing it with luminaire label information.
- Make all electrical and grounded connections in accordance with the NEC and any applicable local code requirements.
- All wiring connections should be capped with UL approved wire connectors.

CAUTION

RISK OF INJURY

- Wear gloves and safety glasses at all times when removing luminaire from carton, installing servicing or performing maintenance.
- Avoid direct eye expose to the light source while it is on
- Account for small parts and destroy packing material as these may be hazardous to children.

CAUTION

RISK OF FIRE

Keep combustible and other materials that can burn away from luminaires and lamp/lens. MIN 90°C CONDUCTORS

Operating Characteristics:

Rated Voltage: 100-240/277VAC, 50/60Hz

Ambient Temperature Range: -40°C (-40°F) ~ +50°C (122°F)

This fixture is suitable for use in the following hazardous (classified) areas as defined by the National Electrical Code (NEC) and Canadian Electrical Code (CEC):

Hazardous Locations

Class I, Division 2, Groups A, B, C, D

Compliances

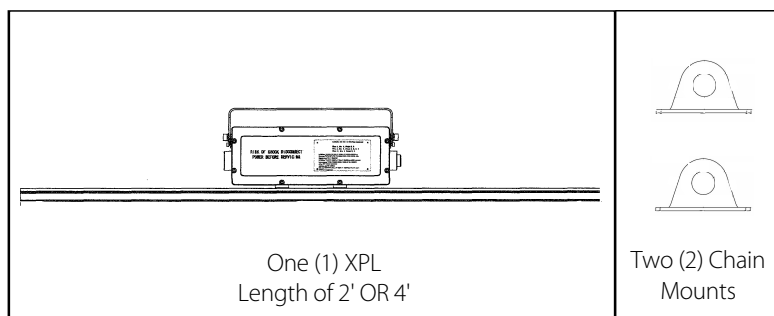
UL 844
UL 1598
UL 1598A
CSA C22.2 No.137-M1981
CSA C22.2 No.250.0
CSA C22.2 No.250.13

Environmental Ratings

Suitable for wet location

Refer to the luminaire nameplate for specific classification information, maximum ambient temperature suitability and corresponding operating temperature (T-Code).

What's In The Box



Tools Needed

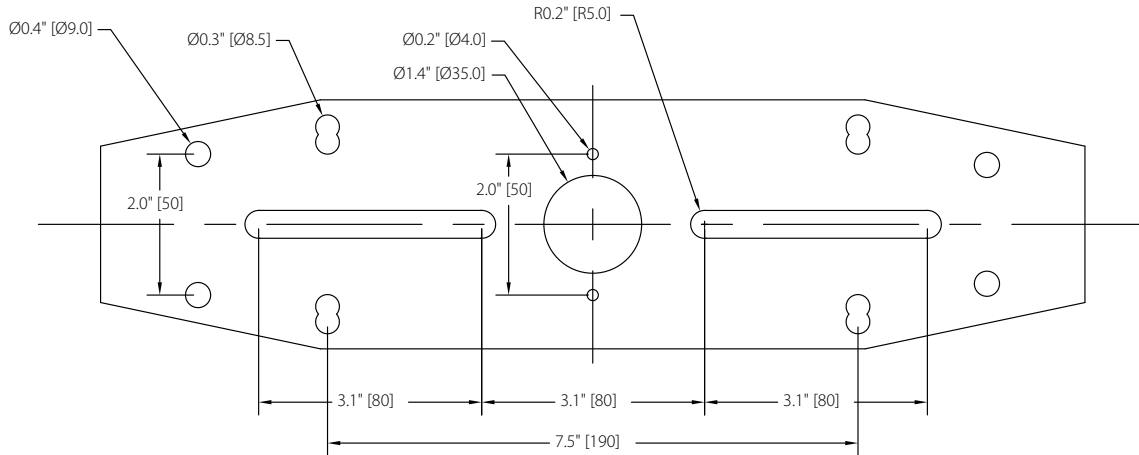
This fixture requires very few tools for installation: A drill, a pair of wire cutter/strippers, allen wrenches, and mounting hardware.



GENERAL INSTALLATION INSTRUCTION For all mounting methods.

- 1) Carefully unpack the fixture from its packaging. Inspect product for defects due to shipping.
If chain mount or security cables are required attach the provided chain mounts to the ends of the fixture.
- 2) Turn off power to appropriate circuit at the breaker panel.
- 3) Identify mounting location and mounting method. Ensure properly rated mounting hardware is used (mounting hardware not included).

Mounting Bracket Pattern (N.T.S.)



SURFACE MOUNT INSTALLATION INSTRUCTION

- 1) Remove mounting bracket by loosening the M5 bolts.
- 2) Drill mounting holes on surface.
- 3) Attach mounting bracket to surface using appropriate fasteners.
- 4) Reattach fixture to the mounting bracket and adjust fixture to desired angle.

STANCHION MOUNT INSTALLATION INSTRUCTION

- 1) Remove mounting bracket by loosening the M5 bolts.
- 2) Attach mounting bracket to stanchion arm using appropriate fasteners.
- 3) Reattach fixture to the mounting bracket and adjust fixture to desired angle.

CHAIN MOUNT INSTALLATION INSTRUCTION

- 1) Mount chain cable in desired location using appropriate fasteners for the surface.
- 2) Hang fixture from chain mount brackets located on the ends of the fixture using appropriate fasteners.

PENDANT MOUNT INSTALLATION INSTRUCTION

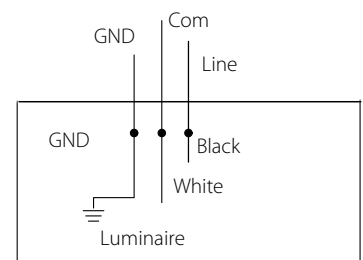
- 1) Remove mounting bracket by loosening the M5 bolts.
- 2) Attach pendant with appropriate fasteners to the mounting bracket.
- 3) Reattach fixture to the mounting bracket and adjust fixture to desired angle.

GENERAL INSTALLATION INSTRUCTION (cont.)

- 4) Remove driver cover enclosure cover.
- 5) Install appropriate conduit connector on the enclosure and connect desired conduit.
- 6) Pull circuit wiring to driver enclosure. Connect wiring as shown in wiring diagram, following all NEC and local codes.
- 7) Reattach enclosure cover and torque bolts to 7 Nm /62 in lbs.
- 8) Turn on power to appropriate circuit and verify fixtures operation.

NOTE: Safety cable to be attached to chain mount brackets
If through wiring is desired remove enclosure plug and install conduit connector

Wiring Diagram



SERVICING:

- To avoid personal injury, disconnect power to fixture and allow fixture to cool before performing maintenance.
- Perform electrical, mechanical, and visual inspections on a regular basis. The frequency of these inspections is dependent upon the installation environment and frequency of use; it is recommended that these checks be made annually at a bare minimum.
- The external glass should be cleaned periodically to maintain consistent light output and fixture performance. Clean the glass with a clean, damp, non-abrasive, lint-free cloth. If this is not sufficient, a mild soap may be used, but do not use any cleaning agent that is abrasive, strong alkaline, or acidic, as these may damage the fixture.
- Inspect the cooling fins regularly to ensure that they are free of any dust or other contaminants. If necessary, clean with a non-abrasive cloth.
- Check that all mechanical parts are properly assembled and secured.
- Check that all electrical connections are clean, tight, and secure.

EXPRESS LIMITED WARRANTY

Subject to the exclusions contained below, NICOR Inc. (NICOR) warrants that all NICOR LED branded Solid State Lighting products made by NICOR to be free from defects in materials and workmanship, under normal consumer usage for a period of 5 years from date of purchase. This limited warranty is a consumer's exclusive remedy, and applies only to new products purchased and used by consumers in the United States or Canada, which are accompanied by this written warranty.

This limited warranty extends only to the first consumer purchaser, and is not transferable. A consumer wishing to invoke the terms of this warranty must first obtain a RGA number within 30 days of discovery of the defect, and return the product to NICOR for inspection. Once verified to be covered by this limited warranty, NICOR will, at its discretion, repair, replace or refund the purchase price of any product that does not conform to this limited warranty.

This limited warranty covers only defects in material and workmanship associated with normal installation and intended use of the product.

THIS LIMITED WARRANTY DOES NOT COVER THE FOLLOWING:

• Defects or damages resulting from improper operation, storage, misuse or abuse, accident or neglect;

• Defects or damages resulting from improper service, testing, adjustment, installation, maintenance, alteration, connection to out-of-specification electrical service, corrosive or damp environments, or connection to incompatible equipment or devices (e.g., connecting non-dimmable lighting products to dimmers);

• Damage which occurs in transit; and

• Labor or other charges or expenses associated with the removal, repair, or re-installation of defective or replacement products.

ANY IMPLIED WARRANTIES, INCLUDING WITHOUT LIMITATION, THE IMPLIED WARRANTIES OF MERCHANTABILITY AND FITNESS FOR A PARTICULAR PURPOSE SHALL BE LIMITED TO THE DURATION OF THIS LIMITED WARRANTY, OTHERWISE THE REPAIR, REPLACEMENT OR REFUND AS PROVIDED UNDER THIS EXPRESS LIMITED WARRANTY IS THE EXCLUSIVE REMEDY OF THE CONSUMER, AND IS PROVIDED IN LIEU OF ALL OTHER WARRANTIES, EXPRESS OR IMPLIED. IN NO EVENT SHALL NICOR BE LIABLE, WHETHER IN CONTRACT OR IN TORT (INCLUDING NEGLIGENCE) FOR DAMAGES IN EXCESS OF THE PURCHASE PRICE OF THE PRODUCT, OR FOR ANY INDIRECT, INCIDENTAL, SPECIAL OR CONSEQUENTIAL DAMAGES OF ANY KIND, OR LOSS OF REVENUE OR PROFITS, LOSS OF BUSINESS OR OTHER FINANCIAL LOSS ARISING OUT OF OR IN CONNECTION WITH THE ABILITY OR INABILITY TO USE THE PRODUCT TO THE FULL EXTENT THESE DAMAGES MAY BE DISCLAIMED BY LAW.

Copyright 2016, NICOR, Inc.
Revised February, 2016

This device complies with part 15 of the FCC Rules. Operation is subject to the following two conditions: (1) This device may not cause harmful interference, and (2) this device must accept any interference received, including interference that may cause undesired operation.

NOTE: This equipment has been tested and found to comply with the limits for a Class A digital device, pursuant to part 15 of the FCC Rules. These limits are designed to provide reasonable protection against harmful interference when the equipment is operated in a commercial environment. This equipment generates, uses, and can radiate radio frequency energy and, if not installed and used in accordance with the instruction manual, may cause harmful interference to radio communications. Operation of this equipment in a residential area is likely to cause harmful interference in which case the user will be required to correct the interference at his own expense.

Thank You
For Your Purchase!

WE WOULD LIKE TO HEAR FROM YOU



WRITE A REVIEW



Scan QR Code or Visit
nicorlighting.com/support/survey

