

Fixture Tap

NICOR Modular Wiring System

Project _____

Catalog _____

Type _____

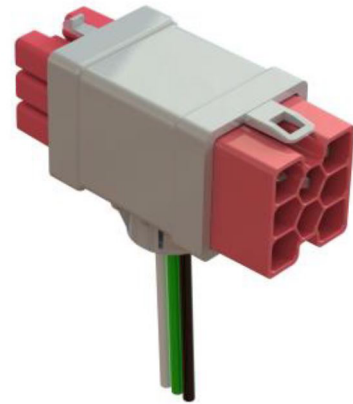
Date _____

Product Description

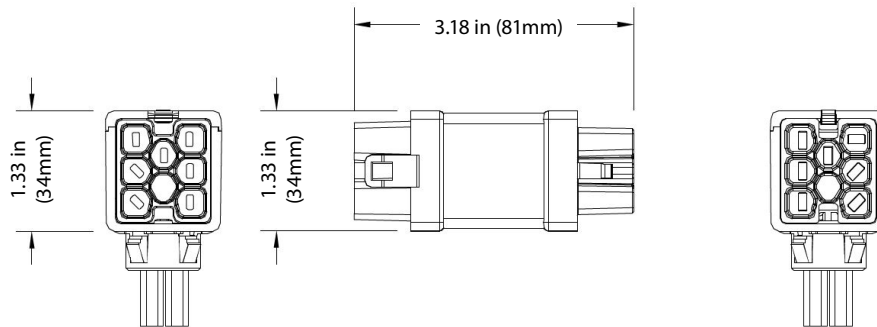
Provides interconnection of light fixtures. Compact low-profile device for quick connection of luminaires. Snap-in 1/2" Trade size knockout design can be field or factory installed.

Features & Benefits

- NICOR Modular Wiring Components are UL Listed to be in compliance with UL 183 – Manufactured Wiring Systems (QQVX) and CSA Certified to be in compliance with CSA 22.2 No. 203-1- Manufactured Wiring Systems.
- Robust terminal design exceeds 470Amp for 4 seconds.
- Connectors are integrally moulded (fully encapsulated) utilizing high impact Halogen-free, Eco-Friendly, Low Smoke, UL94-V0 rated, Oxygen Index – 33%, RoHS-compliant polymers for superior strength, reliability and safety.
- Dielectric Withstand 3000Vac.
- Mating connectors are self-latching and shrouded for added protection.
- Uniquely-keyed and colour-coded to clearly indicate ratings and provide safe, simple, error-free connectivity. Only connectors having identical colours can plug together properly.
- Approved "Ballast Disconnect Means" per NEC 410.73(g) and CEC Part 1 30-308(4).
- Suitable for use in environmental air handling spaces (plenums) per NEC 300-22(c) and CEC Part 1 12-010(3)
- Acceptable for interrupting current (make or break) under full load.
- Capping of unused connector openings is optional as NICOR Modular Wiring components have been evaluated to prevent inadvertent contact with live parts.



Product Dimensions



Ordering Information						Example: NM221110C0152W
Series	System	Application ¹	Tail Length	Gauge	Options	
NM	22 (125/250V 20A)	1110C (3W; L,N,G)	015 (6in(15cm))	2 (#12AWG)	W (Wire connector)	
	42 (277/480V 20A)	2010C (3W; 2L,G)	020 (8in(20cm))	4 (#14AWG)	blank (none)	
	62 (347/600V 20A)	2110C (4W; 2L,N,G)	025 (10in(25cm))	6 (#16AWG)		
	2D (125/250V 20A + Control)	3110C (5W; 3L,N,G)	030 (12in(30cm))	8 (#18AWG)		
	4D (277/480V 20A + Control)	1112C (5W; L,N,G,2C)	046 (18in(46cm))			
	6D (347/600V 20A + Control)					

¹) Consult Configuration Matrix
Specifications and dimensions subject to change without notice.

