

"T"/Cable

NICOR Modular Wiring System

Project _____

Catalog _____

Type _____

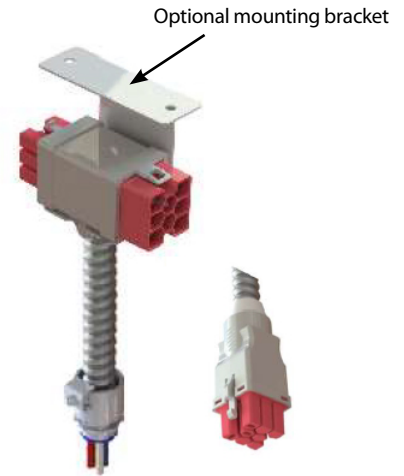
Date _____

Product Description

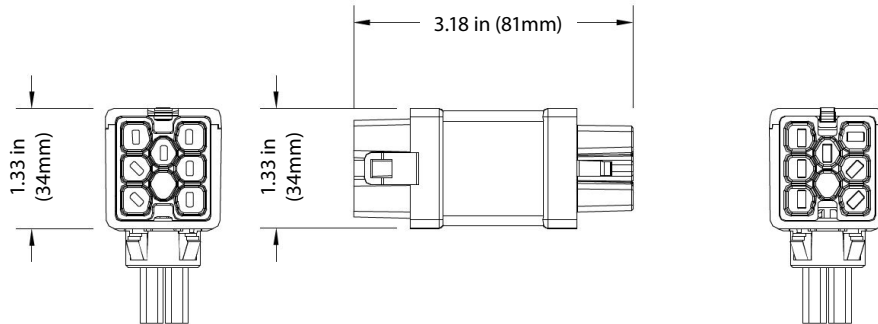
Provides a split connection to luminaires or drop to devices/outlets. Compact component for splitting feed to quickly connect fixtures and other devices.

Features & Benefits

- NICOR's Modular Wiring Components are UL Listed to be in compliance with UL 183 – Manufactured Wiring Systems (QQVX) and CSA Certified to be in compliance with CSA 22.2 No. 203-1 - Manufactured Wiring Systems.
- Robust terminal design exceeds 470Amp for 4 seconds.
- Connectors are integrally moulded (fully encapsulated) utilizing high impact Halogen-free, Eco-Friendly, Low Smoke, UL94-V0 rated, Oxygen Index – 33%, RoHS-compliant polymers for superior strength, reliability and safety.
- Dielectric Withstand 3000Vac.
- Mating connectors are self-latching and shrouded for added protection.
- Uniquely keyed and colour-coded to clearly indicate ratings and provide safe, simple, error-free connectivity. Only connectors having identical colours can plug together properly.
- Approved "Ballast Disconnect Means" per NEC 410.73(g) and CEC Part 1 30-308(4).
- Suitable for use in environmental air handling spaces (plenums) per NEC 300-22(c) and CEC Part 1 12-010(3)
- Acceptable for interrupting current (make or break) under full load.
- Capping of unused connector openings is optional as NICOR Modular Wiring components have been evaluated to prevent inadvertent contact with live parts.



Product Dimensions



Ordering Information

Example: NM221110T040AC

Series	System	Application ¹	Cable Length in Ft.	Cable Type	Other Options
NM	22 (125/250V 20A)	1110T (3W; L, N, G)/(Pos., Neg., G)	### (e.g. 040 = 40Ft.)	A (#12AC90/MC) ²	C (Starter)
	42 (277/480V 20A)	2010T (3W; 2L, G)		B (#12AC90)	W (Wire Connector)
	62 (347/600V 20A)	2110T (4W; 2L, N, G)		M (#12MC)	blank (none)
	D2 (60Vdc 20A)	2210T (5W; 2L, 2N, G)/(2Pos., 2Neg., G)		4 (#14AC90/MC) ²	
	2D (125/250V 20A + Control)	3110T (5W; 3L, N, G)			
	4D (277/480V 20A + Control)	1112T (5W; (L, N, G, 2C)/(Pos., Neg., G, 2C))			
	4D (347/600V 20A + Control)	2012T (5W; 2L, G, 2C)			
	DD (60Vdc 20A + Control)				

1) Consult Configuration Matrix

2) Constructed using ULTRALX® MC/AC90 cable (300lbs Tension), minimum 12AWG stranded conductors rated 600V 20A. Specifications and dimensions subject to change without notice.

