

"T"/Cord

NICOR Modular Wiring System

Project _____

Catalog _____

Type _____

Date _____

Product Description

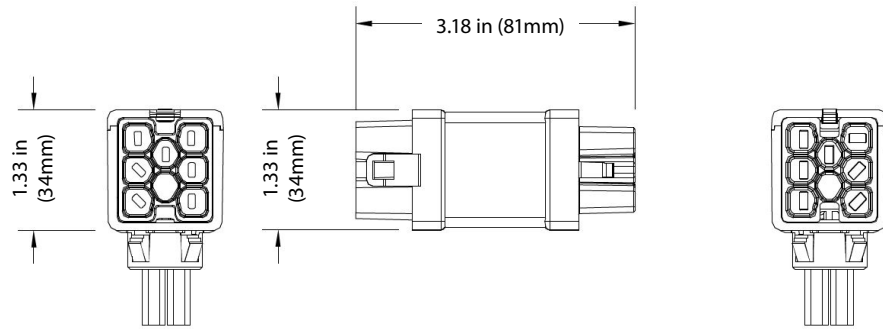
Provides connection to suspended luminaires. Compact device with integrated cord for quick connection of fixtures.

Features & Benefits

- NICOR Modular Wiring Components are UL Listed to be in compliance with UL 183 – Manufactured Wiring Systems (QVX) and CSA Certified to be in compliance with CSA 22.2 No. 203-1- Manufactured Wiring Systems.
- Robust terminal design exceeds 470Amp for 4 seconds.
- Connectors are integrally moulded (fully encapsulated) utilizing high impact Halogen-free, Eco-Friendly, Low Smoke, UL94-V0 rated, Oxygen Index - 33 %, RoHS-compliant polymers for superior strength, reliability and safety. Dielectric Withstand 3000Vac.
- Mating connectors are self-latching and shrouded for added protection.
- Uniquely-keyed and colour-coded to clearly indicate ratings and provide safe, simple, error-free connectivity. Only connectors having identical colours can plug together properly.
- Approved "Ballast Disconnect Means" per NEC 410.73(g) and CEC Part 1 30-308(4).
- Suitable for use in environmental air handling spaces (plenums) per NEC 300-22(c) and CEC Part 1 12-010(3)
- Acceptable for interrupting current (make or break) under full load.
- Capping of unused connector openings is optional as NICOR Modular Wiring components have been evaluated to prevent inadvertent contact with live parts.



Product Dimensions



Ordering Information							Example: NM221110T0302JKC	
Series	System	Application ¹	Cord Length	Gauge	Cord Type	Cord Color	Options	
NM	22 (125/250V 20A)	1110T (3W; L,N,G)	030 (12in(30cm))	2 (#12AWG)	J (300V)	K (Black)	C (Cord connector)	
	42 (277/480V 20A)	2010T (3W; 2L,G)	046 (18in(46cm))	4 (#14AWG)	S (600V)	W (White)	A (Quick-connect "A")	
	62 (347/600V 20A)	2110T (4W; 2L,N,G)	061 (24in(61cm))	6 (#16AWG)			M (Quick-connect "M")	
	2D (125/250V 20A + Control)	3110T (5W; 3L,N,G)	076 (30in(76cm))	8 (#18AWG)			W (Wire connector)	
	4D (277/480V 20A + Control)	1112T (5W; L,N,G,2C)	091 (36in(91cm))				blank (none)	
	6D (347/600V 20A + Control)		122 (4ft(122cm))					
			183 (6ft(1.8m))					
			244 (8ft(2.4m))					
			305 (10ft(3.1m))					
			366 (12ft(3.7m))					

¹) Consult Configuration Matrix
Specifications and dimensions subject to change without notice.

