

PCL08

8" Architectural Cylinder LED Downlight

Product Description

8" LED Architectural Cylinder Downlight with integral LED heat management casting and driver. Unique hyperbolic reflector shape optimized for small, directional LED source reduces glare and provides uniform distribution.

Construction

- High quality aluminum housing
- High efficiency heat sink mounted on light engine
- Vented top cover enables "chimney effect" cooling of LEDs and Drivers
- Operating Temperature of 32-104F (0-40C)
- Suitable for Damp Location

Optical System

- Compact light source delivers uniform illumination without pixelation, enabling excellent beam control
- Specular trim delivers 54° beam angle
- CCT = 3500K, CRI = 83.2

Electrical

- Long-life LED system coupled with electrical driver to deliver optimal performance with 96.7 lumens per watt.
- Operating temperature rating of 0°F to 120°F (-18°C to 40°C)
- Input voltage of 120-277VAC

Mounting and installation

- Pendant kit allows for mounting on sloped ceilings with angles up to 45°
- Luminaire top plate allows for surface mount installations
- For installations where power surge may be possible, NICOR recommends installing additional surge protection at the fixture or electrical distribution panel

Finish

- Matte white powder coat (standard) or silver

Warranty

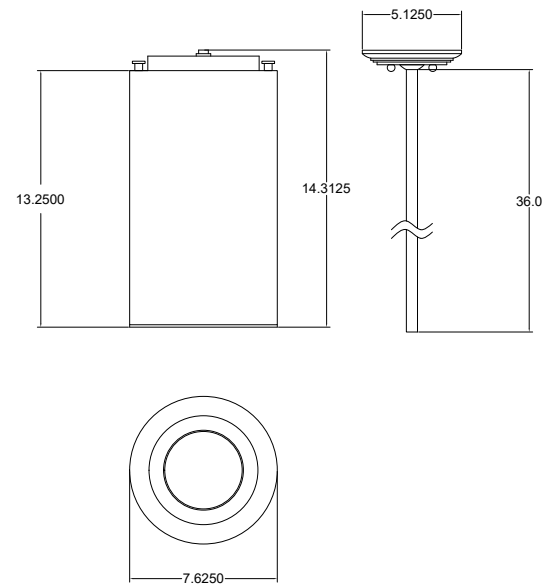
- 5-year limited system warranty standard
- Warranty does not cover product failure due to an overvoltage event (power surge.)

Project

Catalog

Type

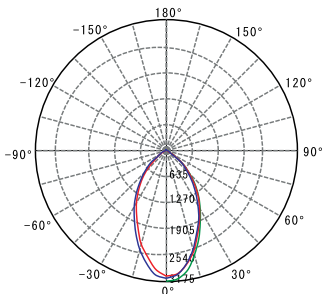
Date



Photometric Data

PCL08 3500K

Input Voltage (VAC)	120-277
System Level Power (W)	27.88
Delivered Lumens (Lm)	2774
System Efficacy (Lm/W)	99.5
Correlated Color Temp (K)	3500
Color Rendering Index (CRI)	83.2
Beam Angle	51.4°
Spacing Criteria (0°)	1.18
Spacing Criteria (90°)	1.22



Intensity Summary (Candela Power)

Angle	0° (Along)
0	2902
15	2128.2
30	1246
45	526
60	84.9
75	0
90	0
105	0
120	0
135	0
150	0
165	0
180	0

Cone of Light Tabulation

Mounted height (Feet)	Footcandles Beam Center	Diameter (Feet)
20	7.26	19.3
40	1.81	38.6
60	.81	57.9
80	.45	77.2

Zonal Lumen Summary

Zone	Lumens	% of Luminaire
0-30	1538.0	55.5%
0-40	2154.7	77.7%
0-60	2736.8	98.7%
0-90	2769.6	99.9%
90-180	3.7	0.1%

Fixture tested per LM-79-08. Photometric data is of the performance of a representative fixture. Results may vary in the field.

Ordering Information

Example: PCL08130U358NWHCL

Series	Diameter	Version	Wattage	Input Voltage	CCT	CRI	Beam Angle	Finish	Reflector
PCL	08 (8")	1	30 (30 Watt)	U (120-277)	35 (3500 K)	8 (83 CRI)	N (Narrow)	WH (White)	CL (Clear)
					40 (4000 K)			SV (Silver)	
					50 (5000 K)				

Accessories

PCL-10-STEM-36

36" STEM FOR PCL PENDANT

Recommended Dimmers*

Lutron NTSTV-DV-WH

Lutron DVSTV

Cooper SF10P

Legrand RH4FBL3PW

*Not a complete list. Check compatibility before installation.

Specifications and dimensions subject to change without notice.

This device complies with part 15 of the FCC Rules. Operation is subject to the following two conditions: (1) This device may not cause harmful interference, and (2) this device must accept any interference received, including interference that may cause undesired operation.

NOTE: This equipment has been tested and found to comply with the limits for a Class A digital device, pursuant to part 15 of the FCC Rules. These limits are designed to provide reasonable protection against harmful interference when the equipment is operated in a commercial environment. This equipment generates, uses, and can radiate radio frequency energy and, if not installed and used in accordance with the instruction manual, may cause harmful interference to radio communications. Operation of this equipment in a residential area is likely to cause harmful interference in which case the user will be required to correct the interference at his own expense.