

Proteus - XPL1A

Hazardous Location (C1D1) LED Linear Luminaire

Product Description

The Proteus Hazardous Location LED luminaire is designed for installations where moisture, dirt, corrosion and vibration may be present. For use in locations made hazardous by the presence of flammable vapors or gases as defined by the NEC, Proteus fixtures are available in class C1D1 in 40W with a two-foot length or in 80W with a four-foot length. Proteus Series is ideal for retrofit of existing HPS/MH & FL and offers higher efficacy for increased energy savings, lower maintenance costs and shorter paybacks.

Certifications

- Class I Division 1, Group C, D
- Class I Division 2, Group A, B, C, D
- UL 844 Hazardous Location
- UL 1598 Wet Locations
- UL 1598A Marine
- UL 8750 LED Safety
- IP66 Rated
- DLC Certification* (5000K only)
- CSA C22.2 No. 137-M1981
- IECEx Ex nR II C T6 Gc
- Meets FCC Part 15, Subpart B, Class A standards for conducted and radiated emissions

Construction

- Heavy duty die-cast copper-free aluminum housing
- Stainless steel hardware
- 3/4" NPT threaded conduit wires access ports
- Weight - 2': 16.1 lbs; 4': 23.8 lbs
- RoHS Compliant
- Captive bolts on power supply cover

Optical System

- Heavy-duty tempered glass lens creates uniform light distribution and maximizes lumen output
- Diffused lens optional**
- CCT: 5000K, 3000K**, or 4000K**
- CRI: 70+

Electrical

- Input voltage of 100-240/277VAC or 347-480VAC**
- Input frequency of 50/60Hz
- Power Factor of $\geq .95$
- THD <20%
- 10kA surge protector
- Reported L70 hours >50,000

Environmental

- Ambient Operating Temperature -40°F (-40°C) ~ 140°F (60°C)
 - C1D1 T6 at 140°F (60°C)
 - C1D2 T3C at 140°F (60°C)
- Ambient Operating Humidity of 10%~90% RH

Finish

- RAL 7037 (Dusty Gray) polyester powder coat

Installation

- Prewired with 2' flying leads
- Allows wiring without opening power supply cover
- Integrated 3/4" NPT threaded hub for pendant mount
- Universal trunnion bracket available, with legacy bolt pattern (drill rigs)
- Pipe mount kit available
- For installations where power surge may be possible, NICOR recommends installing additional surge protection at the electrical distribution panel

Warranty

- 5-year limited system warranty standard
- Warranty does not cover product failure due to an overvoltage event (power surge)

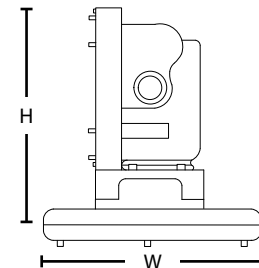
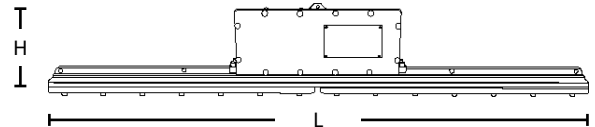
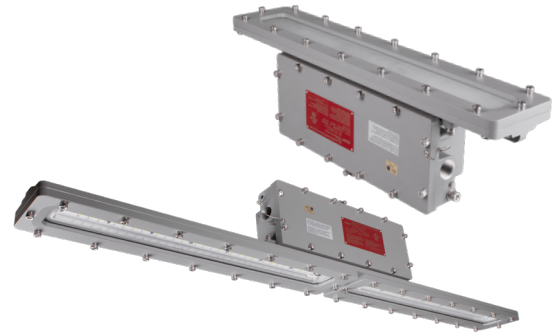
**Consult factory for lead time

Project _____

Catalog _____

Type _____

Date _____



	40W	80W
Fixture Length (L)	21.4 in (544mm)	43.3 in (1100mm)
Fixture Width (W)	4.3 in (108 mm)	4.3 in (108 mm)
Fixture Height (H)	7.3 in (185 mm)	7.3 in (185 mm)

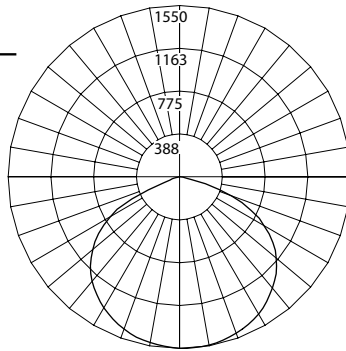


*DLC Certification for 5000k only

Photometric Data

XPL1A 40W 5000K

Input Voltage (VAC)	120-277
System Level Power (W)	38.1
120V Current (A)	0.32
277V Current (A)	0.14
Delivered Lumens (Lm)	4426
System Efficacy (Lm/W)	116.3
Correlated Color Temp (K)	4982
Color Rendering Index (CRI)	72.3
Power Factor	0.95
THD	<20
Beam Angle	115.5°
Spacing Criteria	1.36



Angle	Along	Across
0	1550	1550
5	1549	1549
15	1530	1524
25	1466	1458
35	1360	1354
45	1207	1210
55	868	988
65	410	668
75	104	274
85	0	16
90	0	1

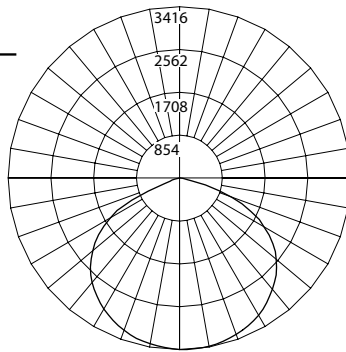
Mounted height (Feet)	Footcandles Beam Center	Diameter (Feet)
4	119.7	12.7
6	53.2	19.0
8	29.9	25.4
10	19.2	31.7
12	13.3	38.0
14	9.8	44.4
16	7.5	50.7

XPL1A040U30GR	0.906
XPL1A040U40GR	0.952

Zone	Lumens	% of Luminaire
0-30	1243	28.1%
0-40	2080	47.0%
0-60	3791	85.6%
0-90	4426	100.0%
90-180	0	0.0%
0-180	4426	100.0%

XPL1A 80W 5000K

Input Voltage (VAC)	120-277
System Level Power (W)	80.8
120V Current (A)	0.67
277V Current (A)	0.29
Delivered Lumens (Lm)	9160
System Efficacy (Lm/W)	113.4
Correlated Color Temp (K)	4864
Color Rendering Index (CRI)	>70
Power Factor	0.94
THD	<20%
Beam Angle	111.1°
Spacing Criteria	1.34



Angle	Along	Across
0	3415	3415
5	3409	3412
15	3349	3329
25	3178	3160
35	2893	2888
45	2494	2478
55	1673	1965
65	736	1316
75	201	577
85	0	54
90	0	3

Mounted height (Feet)	Footcandles Beam Center	Diameter (Feet)
4	228.9	11.7
6	101.7	17.5
8	57.2	23.3
10	36.6	29.2
12	25.4	35.0
14	18.7	40.8
16	14.0	46.6

XPL1A080U30GR	0.906
XPL1A080U40GR	0.952

Zone	Lumens	% of Luminaire
0-30	2705	29.5%
0-40	4478	48.9%
0-60	7903	86.3%
0-90	9160	100.0%
90-180	0	0.0%
0-180	9160	100.0%

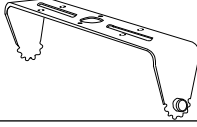



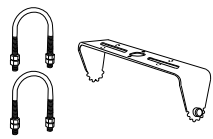
Fixture tested per LM-79-08. Photometric data is of the performance of a representative fixture. Results may vary in the field.

Model Number	Lumens	Watts	Lumens/Watt
XPL1A040U30GR	4011	38.1	105.3
XPL1A040U40GR	4213	38.1	110.6
XPL1A040U50GR	4426	38.1	116.3
XPL1A080U30GR	8280	80.8	102.5
XPL1A080U40GR	8723	80.8	107.9
XPL1A080U50GR	9160	80.8	113.4

Ordering Information									Example: XPL1A080U50GRT2DEM
Series	Version	Class/DIV	Wattage	Voltage	CCTs	Finish	Beam Angle	Lens	Mounting
XPL	1 (Version 1)	A (C1D1)	040 (40W)	U (120-277VAC)	50 (5000 K)	GR (Gray)	___ (120°)	___ (Clear)	___3/4" Pendant
			080 (80W)	H (347-480V)*	30 (3000 K)*		60 (60°)*	D (Diffused)*	T (Trunnion mount, factory installed)
					40 (4000 K)*		T2 (Type II/Aisle)*		

*Consult factory for lead time

Specifications and dimensions subject to change without notice.

Accessories		Accessories sold separately
Trunnion Mount Bracket	XPL1BRACKET	
C1D1 Drill Rig Kit	XPL1ARIGKIT	
C1D1 Heavy Duty Dual Point Retention Kit	XPL1ARETENTIONKIT	
3' Heavy Duty DS Safety Cable	XP1DSCABLE-3	
Pipe Mount Kit (2.0" Diameter)	XPL1PIPEMOUNT20	

This device complies with part 15 of the FCC Rules. Operation is subject to the following two conditions: (1) This device may not cause harmful interference, and (2) this device must accept any interference received, including interference that may cause undesired operation.

NOTE: This equipment has been tested and found to comply with the limits for a Class A digital device, pursuant to part 15 of the FCC Rules. These limits are designed to provide reasonable protection against harmful interference when the equipment is operated in a commercial environment. This equipment generates, uses, and can radiate radio frequency energy and, if not installed and used in accordance with the instruction manual, may cause harmful interference to radio communications. Operation of this equipment in a residential area is likely to cause harmful interference in which case the user will be required to correct the interference at his own expense.