

LED Linear Series

Architectural Linears



FEATURE LISTINGS AND RATINGS

NICOR designs unique features into our lighting fixtures that make them more efficient, easier to install, and superior to similar products so they out-perform our competition.

The following guide defines these features to help you choose the right fixture for your application:



5 YEAR WARRANTY

NICOR Inc. warrants that all NICOR LED branded Solid State Lighting products made by NICOR to be free from defects in material and workmanship under normal consumer usage for a period of 5 years from date of purchase. For complete warranty information please visit nicorlighting.com.



DAMP LOCATION

These products are approved for use in interior locations protected from weather but subject to moderate degrees of moisture, such as some basements, some barns, and some cold storage warehouses.



UL LISTED

UL is a world leader in product safety testing and certification. For more than 100 years, manufacturers have had their merchandise evaluated and tested for safety risks by an independent, third-party safety certification organization. Last year alone, approximately 14 billion products with the UL Mark entered the global marketplace. More information can be found at www.ul.com.



DLC

The DesignLights Consortium® promotes quality, performance, and energyefficient commercial sector lighting solutions through collaboration among its federal, regional, state, utility, and energy efficiency program members, luminaire manufacturers, lighting designers, and other industry stakeholders throughout the U.S. and Canada. More information can be found at www.dlc.com.



Three stunning new LED architectural linear luminaires from NICOR offer versatile lighting solutions with advanced control capability.

You can choose the type of power management system that's right for your project integrated LED driver or Remote Power over Ethernet (PoE) then design the ideal lighting solution for your commercial, retail, educational, healthcare, or data center application. Accessories for each fixture are available to meet your unique application requirements.

NICOR's linear series fixtures for CAT6 PoE feature the first integrated emergency system with low voltage output, and are easy to install in large installations like data centers. Our patent-pending Lighting Control Unit provides individual power and programmable drive current for up to 14 LED fixtures, delivering a cost effective alternative to legacy wiring along with greater efficiency, easier maintenance, and off-board heat management.



ALTAIR | LSA

Architectural LED Direct/Indirect Linear

NICOR's Altair Architectural LED Direct/Indirect Linear is a stylish six-foot fixture designed for individual units or continuous runs in commercial and architectural interiors. Delivering over 134 lumens per watt, Altair provides 90% direct and 10% indirect lighting and achieves a full range of dimming from 0-10 volts, enabling the flexibility to create the ideal ambiance for a variety of environments and applications. The Altair's highly reflective optical chamber and diffused polycarbonate lens provide wide, direct light distribution while three windows in the extruded aluminum body offer uplight with a single piece diffuser for soft distribution. Installation is easy with three different mountings available – surface, pendant, and aircraft cable. Altair is available in on-board driver or remote PoE driver configurations.

- One 6ft piece extruded aluminum housing with solid endcaps
- Available with integrated driver or Remote PoE Power System configurations
- Designed for individual units or continuous runs
- Fixture design provides 90% direct / 10% indirect light output
- Remote Power fixture provided with two RJ-45 connector ports
- 3500K, 4000K, and 5000K CCTs
- 120-277VAC
- 0-10VDC dimming
- 10kA surge protection standard
- Available in white powder coat standard with silver or custom powder coat options
- Easy surface mount, pendant, or aircraft cable installation
- Motion sensor options



INTEGRAL

- On-board LED driver
- Standard line voltage wiring
- Easy one-to-one replacement

CCT	Lm	W	Lm/W
3500K	6830Lm		134.3
4000K	7099Lm	50.8W	139.6
5000K	7369Lm		144.9

PoE

- Remote power supply using Lighting Control Unit
- Low voltage DC power carried over CAT6 cable
- Lower system installation costs
- Easier system maintenance

CCT	Lm	Wattage based on LCU performance	Lm/W
3500K	7315Lm		Greater than 130Lm/W
4000K	7608Lm		
5000K	7827Lm		

NOTE: NICOR PoE does not carry data between fixtures and power supply.

INTEGRAL LED DRIVER

REMOTE VERSION

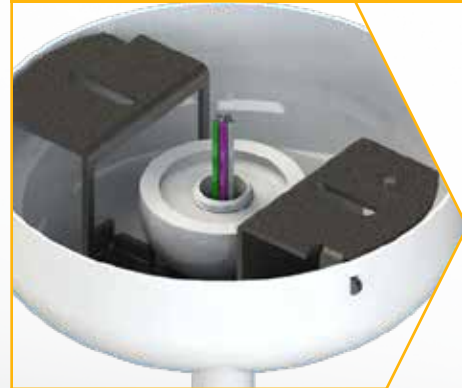
Requires remote lighting control unit (LCU) for operation.

ALTAIR | LSA

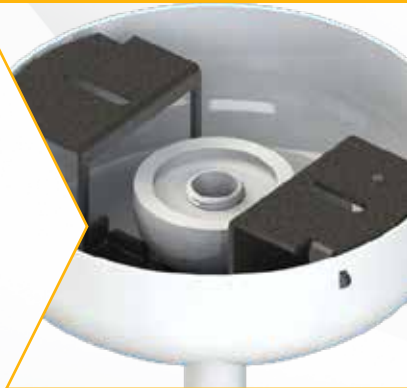
Accessories

Power feed kits conveniently provide power to fixtures while supplying suspension cable assembly for fixture support in one installation.

PENDANT MOUNTS



LSA Pendant Mount Power Feed
48" Length



LSA Pendant Mount Non Power Feed
48" Length

Pendant Mount includes swivel kit; recommended for uneven ceilings

Non power feed kits provide fixture support with suspension cable assembly.

AIRCRAFT CABLE KIT



LSA Aircraft Cable Kit Power Feed
150" Length



LSA Aircraft Cable Kit Non Power Feed
150" Length

Best used in office ceilings for a professional look with suspended lighting; easy snap-in installation with spring clip



LSA Continuous Run Spring Clip

Provides suspension points and maintains fixture alignment when used for continuous runs; easy snap-on installation clip



LSA Endcap with Knockout & EVA

Provides power to fixture for surface mount and continuous run applications; motion sensors can be installed with knockout hole



LCU POE Remote Power Box

Control box that provides remote AC/DC conversion; converts 120-277AC input power to low voltage for DC distribution

OBERON | LSQ

LED Direct Linear

A single-piece diffuser gives the Oberon Architectural LED Direct Linear its clean, modern appearance. A clear, satin finish on its one-piece extruded aluminum housing and solid endcaps complete the seamless design. The Oberon provides wide light distribution with a highly reflective optical chamber and diffused lens, making it ideal for commercial, retail, educational, or healthcare applications where individual units or continuous runs are desired. The luminaire is available with multiple installation options using an integral mounting rail. Oberon is available in 4-foot or 8-foot lengths in either on-board or remote PoE driver configurations. White or custom powder coat options are also available.

- 4ft or 8ft extruded aluminum housing with solid endcaps
- Designed for individual units or continuous runs
- Available with integrated driver or Remote PoE Power System configurations
- Remote Power fixture provided with two RJ-45 connector ports
- 3500K, 4000K and 5000K CCTs
- 120-277VAC
- 0-10 VDC dimming
- 10kA surge protection
- Available in satin finish standard with white or custom powder coat available
- Easy surface mount, pendant, or aircraft cable installation
- Motion sensor options



INTEGRAL

- On-board LED driver
- Standard line voltage wiring
- Easy one-to-one replacement



4ft Fixture

CCT	Lm	W	Lm/W
3500K	3343Lm		130.1
4000K	3335Lm	25.7W	129.8
5000K	3328Lm		129.5

8ft Fixture

CCT	Lm	W	Lm/W
3500K	6410Lm		125.4
4000K	6483Lm	51.1W	126.9
5000K	6556Lm		128.3

PoE

- Remote power supply using Lighting Control Unit
- Low voltage DC power carried over CAT6 cable
- Lower system installation costs
- Easier system maintenance



4ft Fixture

CCT	Lm	Wattage based on LCU performance	Lm/W
3500K	3300Lm		Greater than 130Lm/W
4000K	3431Lm		
5000K	3531Lm		

8ft Fixture

CCT	Lm	Wattage based on LCU performance	Lm/W
3500K	6434Lm		Greater than 130Lm/W
4000K	6691Lm		
5000K	6886Lm		

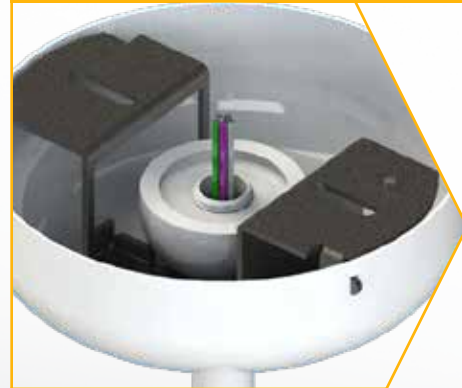
NOTE: NICOR PoE does not carry data between fixtures and power supply.

OBERON | LSQ

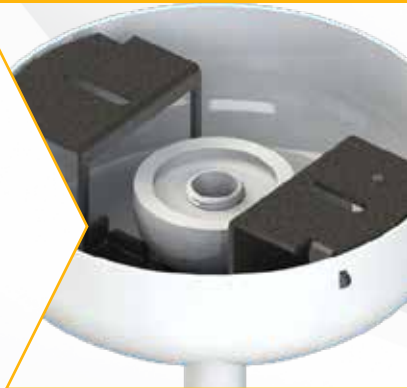
Accessories

Power feed kits conveniently provide power to fixtures while supplying suspension cable assembly for fixture support in one installation.

PENDANT MOUNTS



LSQ Pendant Mount Power Feed
48" Length



LSQ Pendant Mount Non Power Feed
48" Length

Pendant Mount includes swivel kit; recommended for uneven ceilings

Non power feed kits provide fixture support with suspension cable assembly.

AIRCRAFT CABLE KIT



LSQ Aircraft Cable Kit Power Feed
150" Length



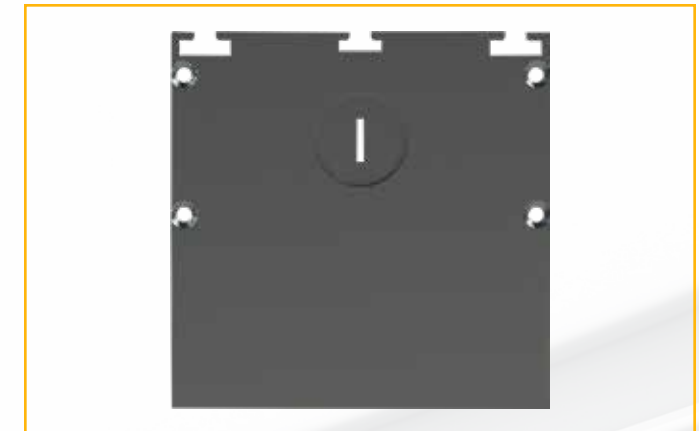
LSQ Aircraft Cable Kit Non Power Feed
150" Length

Best used in office ceilings for a professional look with suspended lighting; easy snap-in installation with spring clip



LSQ Continuous Run Bracket

Provides suspension points and maintains fixture alignment when used for continuous runs



LSQ Endcap with Knockout & EVA

Provides power to fixture for surface mount and continuous run applications; motion sensors can be installed with knockout hole



LSQ Wall Mount Bracket

Bracket allows easy fixture-to-wall installation



LSQ Surface Mount Kit

Allows easy installation of fixture to a surface with a single, two-part mounting



LCU POE Remote Power Box

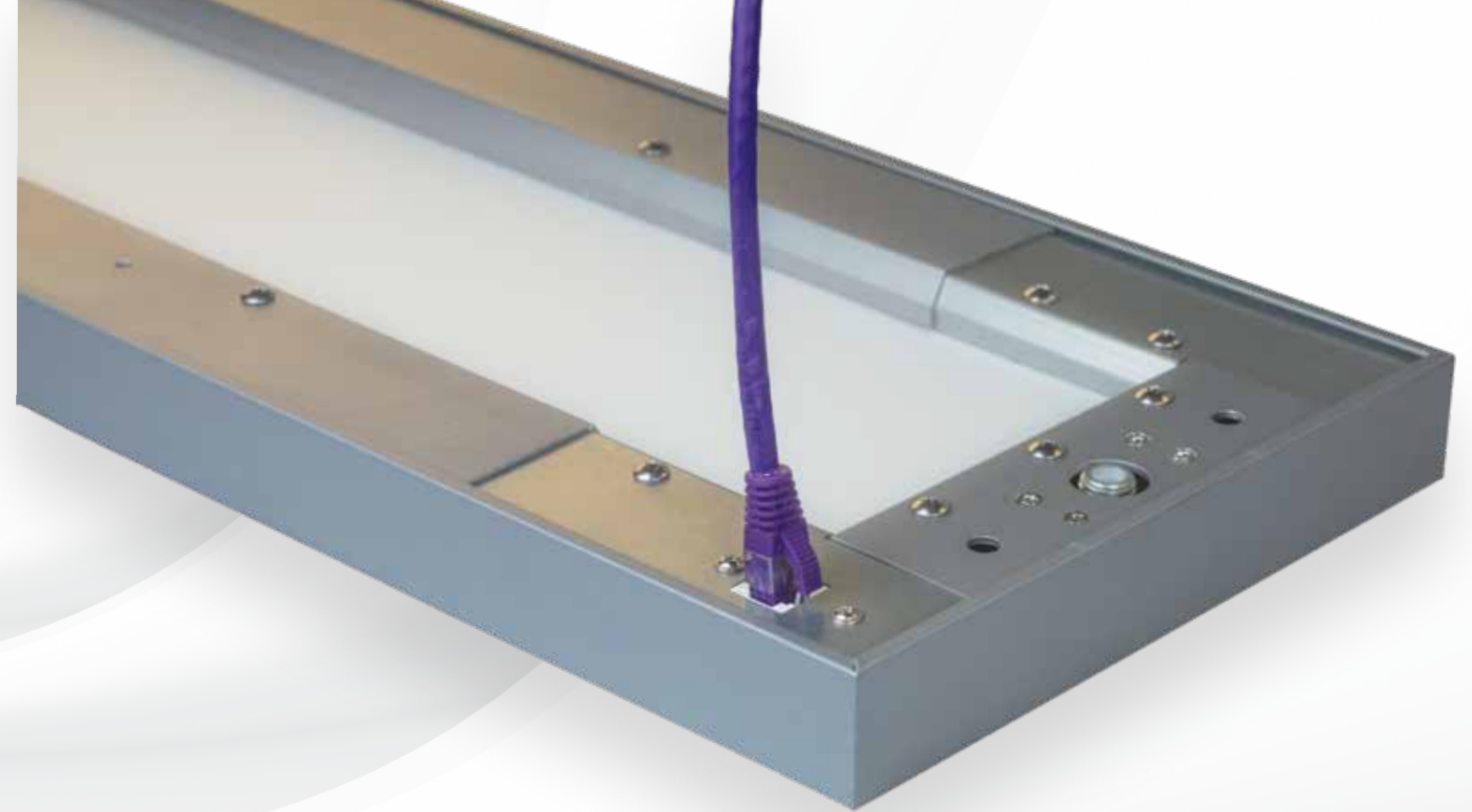
Control box provides remote AC/DC conversion; converts 120-277AC input power to low voltage for DC distribution

ELARA | LSE

LED Direct/Indirect Linear

The Elara Architectural LED Direct/Indirect Linear is an edge lit luminaire designed for individual units or continuous runs in commercial indoor applications. The elegant fixture achieves a polished, modern appearance with its white powder-coated, 20-gauge aluminum housing and fully-welded seams. Silver or custom powder coat options are also available. Elara's acrylic light guide with laser etched patterns enables a variety of light distributions to suit your application, and a 50/50 distribution comes standard. The fixture is easily suspended using four mount points for y-cable, and includes two y-cables with canopy covers. Elara is available in 4-foot or 8-foot lengths in either on-board or remote PoE driver configurations.

- 4ft or 8ft lengths formed from 20 gauge aluminum
- Designed for individual units or continuous runs
- Available with integrated driver or Remote PoE Power System configurations
- Fixture design provides 50% direct / 50% indirect light output standard
- Available in 80/20 and 20/80 distributions
- Remote Power fixture provided with two RJ-45 connector ports
- 3500K, 4000K, and 5000K CCTs
- 120-277VAC
- 0-10VDC dimming
- 10kA surge protection
- Available in white finish standard with silver or custom powder coat options
- Four mount point for y-cable suspended mounting, pendant, and surface mount



PoE VERSION

Requires remote lighting control unit (LCU) for operation.

INTEGRAL

- On-board LED driver
- Standard line voltage wiring
- Easy one-to-one replacement



4ft Fixture

CCT	Lm	W	Lm/W
3500K	4413Lm		108.5
4000K	4501Lm	40.7W	110.7
5000K	4594Lm		113.0

8ft Fixture

CCT	Lm	W	Lm/W
3500K	8738Lm		107.4
4000K	8911Lm	81.3W	109.6
5000K	9096Lm		111.8

at 50/50 distribution

PoE

- Remote power supply using Lighting Control Unit
- Low voltage DC power carried over CAT6 cable
- Lower system installation costs
- Easier system maintenance



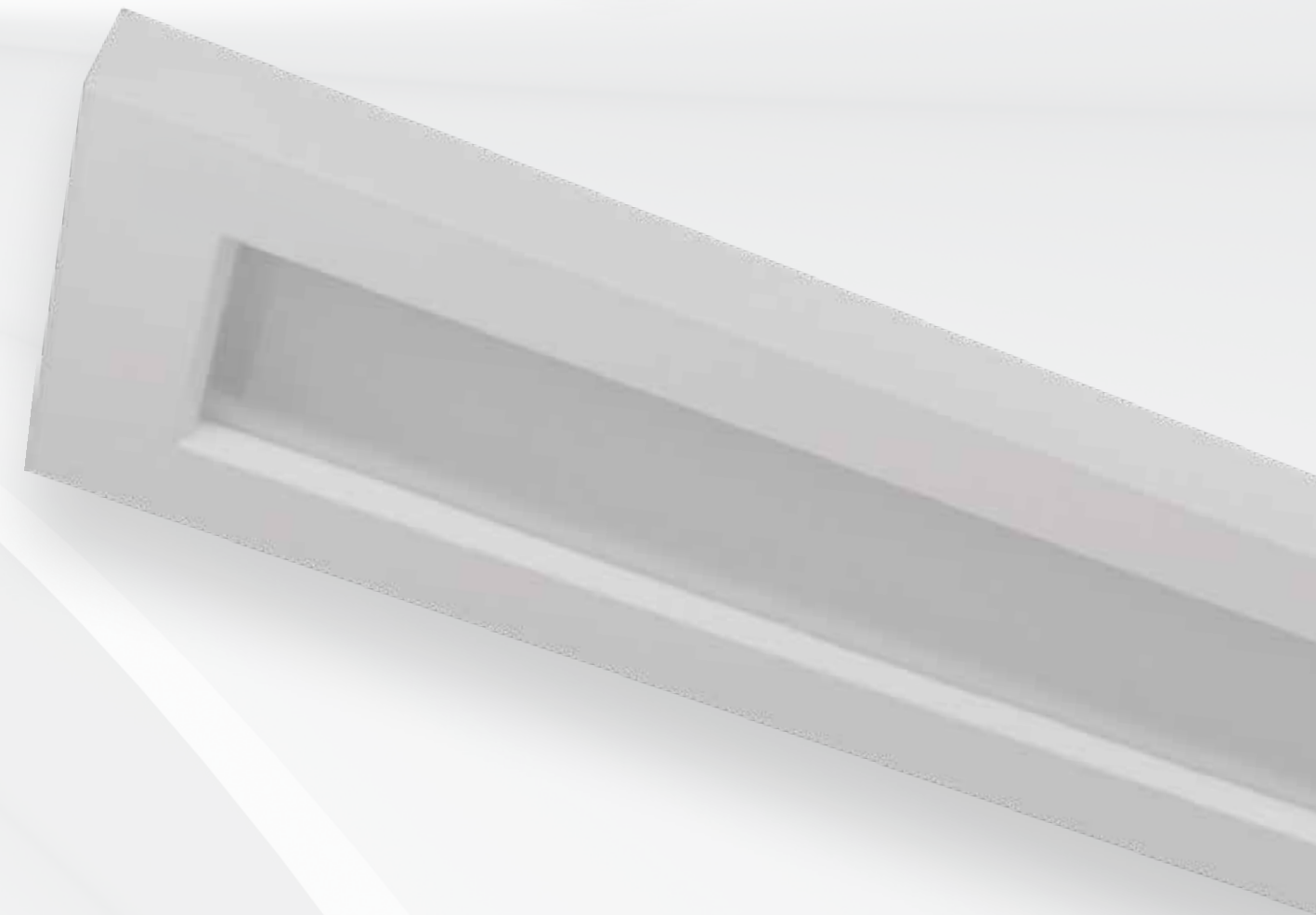
4ft Fixture

CCT	Lm	Wattage based on LCU performance	Greater than 105Lm/W
3500K	4253Lm		
4000K	4423Lm		
5000K	4550Lm		

8ft Fixture

CCT	Lm	Wattage based on LCU performance	Greater than 105Lm/W
3500K	8526Lm		
4000K	8867Lm		
5000K	7235Lm		

NOTE: NICOR PoE does not carry data between fixtures and power supply.

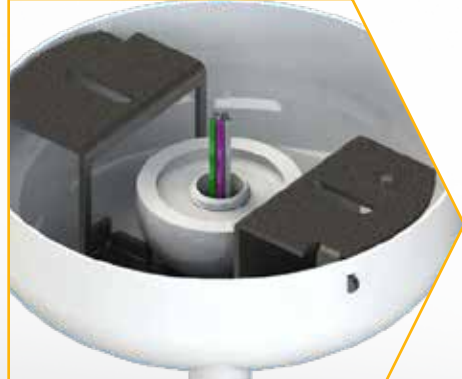


ELARA | LSE

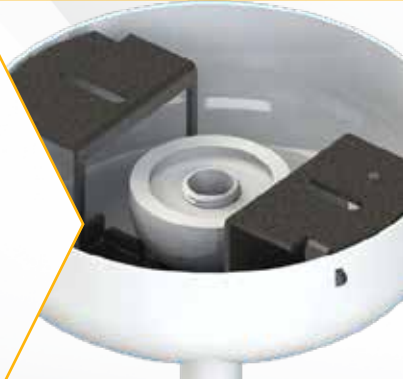
Accessories

Power feed kits conveniently provide power to fixtures while supplying suspension cable assembly for fixture support in one installation.

PENDANT MOUNTS



LSA Pendant Mount Power Feed
48" Length



LSA Pendant Mount Non Power Feed
48" Length

Pendant Mount includes swivel kit; recommended for uneven ceilings

Non power feed kits provide fixture support with suspension cable assembly.

AIRCRAFT CABLE KIT



LSE Aircraft Cable Kit Power Feed
150" Length



LSE Aircraft Cable Kit Non Power Feed
150" Length

Best used in office ceilings for a professional look with suspended lighting;
easy snap-in installation with spring clip



LSE Wall Mount Bracket

Bracket allows easy fixture-to-wall installation



LSE Continuous Run Bracket

Three piece kit provides suspension points and maintains fixture alignment when used for continuous runs



LCU POE Remote Power Box

Control box that provides remote AC/DC conversion; converts 120-277AC input power to low voltage for DC distribution

LCU

Lighting Control Unit

The LCU Lighting Control Unit provides remote AC to DC power conversion, converting 120-277VAC input power to low voltage DC, which enables reliable distribution to NICOR's Remote Power over Ethernet PoE LED luminaires. The LCU enables simple, cost-effective lighting installations and reduces the need for thermal management at the fixture. The LCU provides individual power and programmable drive current for as many as 14 LED drivers.

- NEMA 1 enclosure fabricated from 14 gauge steel with louvered back and side panels
- (14) RJ45 ports for CAT6 cable
- One 2" knockout for CAT6 cable
- Three 3/4" knockouts for conduit fittings
- 54W and 75W
- 120-277VAC
- Requires dedicated emergency input
- 0-10 VDC dimming
- ANSI 61 gray polyester powder coat finish
- Easy surface mount installation
- 40kA surge protection
- (14) class 2 Philips Xitanium LED drivers
- 150 foot max remote distance
- 630W max normal power; 252W max emergency power
- 30"H x 24"W x 8"D; 105lbs
- UL2108 Listed (low voltage lighting systems)
- UL924 Listed (emergency lighting control panel, class 2 POE)

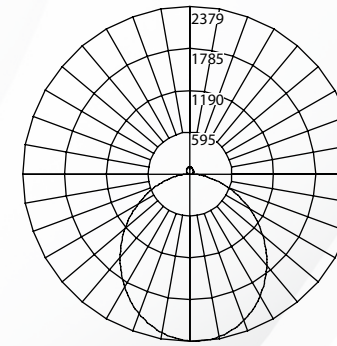


Altair - LSA | Architectural LED Direct/Indirect Linear

Photometric Data

LSA 3500K

Input Voltage (VAC)	120-277
System Level Power (W)	50.8
Delivered Lumens (Lm)	6830
System Efficacy (Lm/W)	134.3
Correlated Color Temp (K)	3421
Color Rendering Index (CRI)	81
Beam Angle (0°)	101.4
Beam Angle (90°)	105.1
Spacing Criteria (0°)	1.18
Spacing Criteria (90°)	1.26



Intensity Summary (Candle Power)

Angle	0° Along	90° Across
0	2376	2376
15	2226	2299
30	1843	1999
45	1338	1529
60	993	976
75	666	422
90	176	0
105	127	23
120	171	42
135	196	60
150	192	83
165	118	98
180	66	66

Cone of Light Tabulation

Mounted height (Feet)	Footcandles Beam Center	Diameter (Feet)
4	148.5	4.8
6	66.0	7.1
8	37.1	9.4
10	23.8	11.8
12	16.5	14.1
14	12.1	16.6
16	9.3	18.8

Remote Driver Scalar

LSA-1-6-R	1.098
-----------	-------

CCT Data Multiplier

LSA-1-6-I-U-40	1.039
LSA-1-6-I-U-50	1.079

Zonal Lumen Summary

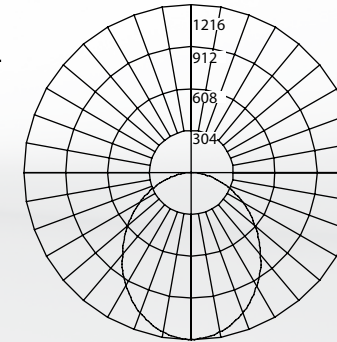
Zone	Lumens	% of Luminaire
0-30	1694	24.8%
0-40	2725	39.9%
0-60	4658	68.2%
0-90	6140	89.9%
90-180	690	10.1%
0-180	6830	100.0%

Oberon - LSQ | LED Direct Linear

Photometric Data

LSQ 3500K

Input Voltage (VAC)	120-277
System Level Power (W)	25.7
Delivered Lumens (Lm)	3343
System Efficacy (Lm/W)	130.1
Correlated Color Temp (K)	3414
Color Rendering Index (CRI)	83
Beam Angle (0°)	103.6°
Beam Angle (90°)	100.3°
Spacing Criteria (0°)	1.20
Spacing Criteria (90°)	1.18



Intensity Summary (Candle Power)

Angle	0° Along	90° Across
0	1216	1216
5	1209	1211
15	1143	1156
25	1026	1054
35	870	911
45	697	745
55	520	564
65	345	379
75	182	203
85	46	55
90	0	0

Cone of Light Tabulation

Mounted height (Feet)	Footcandles Beam Center	Diameter (Feet)
4	76.0	10.4
6	33.8	15.7
8	19.0	20.9
10	12.2	26.1
12	7.3	31.2
14	3.6	36.5
16	2.1	41.7

Remote Driver Scalar

LSQ-1-#-R	0.987
-----------	-------

Length Multiplier

8 Foot	1.950
--------	-------

CCT Data Multiplier

LSQ-1-4-U-40	0.998
LSQ-1-4-U-50	0.996

Zonal Lumen Summary

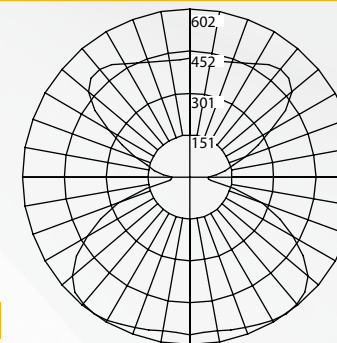
Zone	Lumens	% of Luminaire
0-30	981	29.3%
0-40	1576	47.1%
0-60	2686	80.4%
0-90	3343	100.0%
90-180	0	0.0%
0-180	3343	100.0%

Elara - LSE | LED Direct/Indirect Linear

Photometric Data

LSE 50/50 3500K

Input Voltage (VAC)	120-277
System Level Power (W)	40.7
Delivered Lumens (Lm)	4413
System Efficacy (Lm/W)	108.5
Correlated Color Temp (K)	3406
Color Rendering Index (CRI)	85
Beam Angle	139.5°
Spacing Criteria	1.49



Intensity Summary (Candle Power)

Angle	0° Along	90° Across
0	532	532
5	535	535
15	535	555
25	532	581
35	522	600
45	491	595
55	429	540
65	329	420
75	190	243
85	46	17
90	4	3

Cone of Light Tabulation

Mounted height (Feet)	Footcandles Beam Center	Beam Width
4	33.3	6.4
6	14.8	9.6
8	8.3	12.8
10	5.3	16.0
12	3.7	19.2
14	2.7	22.4
16	2.1	25.6

Remote Driver Scalar

LSE-1-#-#-U-##-W-R	0.981
--------------------	-------

Length Multiplier

8 Foot	2.005
--------	-------

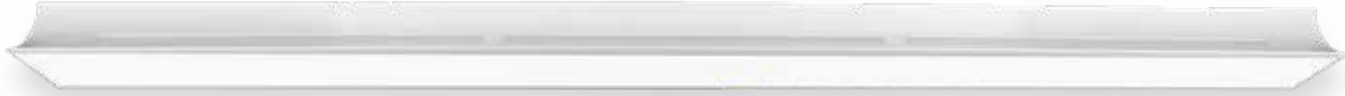
CCT Data Multiplier

LSE-1-4-2-U-40	1.040
LSE-1-4-2-U-50	1.070

Zonal Lumen Summary

Zone	Lumens	% of Luminaire
0-30	444	10.50
0-40	781	18.50
0-60	1595	37.70
0-90	2210	52.30
90-180	2017	47.70
0-180	4413	100.00

ORDERING INFORMATION



LSA | ALTAIR Ordering Information

Series	Version	Length	Light Pattern	Input Voltage	CCT	Finish Color	Driver Configuration	Mounting
LSA	1 (Version 1)	6 (Foot)	I (Direct/Indirect)	U (120-277)	35 (3500 K)	W (White)	I (Integral)	S (Surface)
					40 (4000 K)	S (Silver)*	R (Remote)**	P (Pendant)
					50 (5000 K)	C (Custom)*		

* Only available as special order. Contact NICOR for more info.

** Remote configuration requires installation of the Remote Power System LCU1UNV54LSA6

LCU Ordering Information

Required for (R) remote driver configuration

LCU Remote Power System for LSA6	LCU1UNV54LSA6
----------------------------------	----------------------

Additional Accessories

LSA, LSE, LSQ Pendant Mount Non Power Feed, 48" Length	LSALSESQ1PENDANT
LSA, LSE, LSQ Pendant Mount Power Feed, 48" Length	LSALSESQ1PENDANTPF
LSA, LSE, LSQ Remote Pendant Mount Power Feed, 48" Length	LSALSESQ1PENDANTRPF
LSA Continuous Run Spring Clip	LSA-1-CR-CLIP
LSA Endcap W/Knockout & EVA	LSA-1-ENDCAPKIT*
LSA Aircraft Cable Kit Non Power Feed, 150" Length	LSA-1-CABLE
LSA Aircraft Cable Kit Power Feed, 150" Length	LSA-1-CABLE-PF
LSA Remote Aircraft Cable Kit Power Feed, 150" Length	LSA-1-CABLE-R-PF
LSA Surface Mount Kit Power Feed	LSA-1-SURFACE-PF

*Endcap Kit is required for motion sensor



LSQ | OBERON Ordering Information

Series	Version	Length	Input Voltage	CCT	Finish Color	Driver Configuration	Motion Sensor	Mounting
LSQ	1 (Version 1)	4 (Foot)	U (120-277)	35 (3500 K)	S (Satin Clear)	I (Integral)	M (Motion Sensor)***	W (Wall Mount)
				40 (4000 K)	W (White)*	R (Remote)**		P (Pendant)
				50 (5000 K)	C (Custom)*			S (Surface)
								C (Cable)

* Only available as special order. Contact NICOR for more info.

** Remote configuration requires installation of the Remote Power System LCU1UNV54LSQ4 or LCU1UNV54LSQ8

*** Motion Sensor only available on integral version

LCU Ordering Information

Required for (R) remote driver configuration

LCU Remote Power System for LSQ4	LCU1UNV54LSQ4
LCU Remote Power System for LSQ8	LCU1UNV54LSQ8

Additional Accessories

LSA, LSE, LSQ Pendant Mount Non Power Feed, 48" Length	LSALSESQ1PENDANT
LSA, LSE, LSQ Pendant Mount Power Feed, 48" Length	LSALSESQ1PENDANTPF
LSA, LSE, LSQ Remote Pendant Mount Power Feed, 48" Length	LSALSESQ1PENDANTRPF
LSQ Wall Mount Bracket	LSQ-1-WALL
LSE, LSQ Wall Mount Kit Power Feed	LSELSQ-1-WALL-PF
LSQ Aircraft Cable Kit Non Power Feed, 150" Length	LSQ-1-CABLE
LSQ Aircraft Cable Kit Power Feed, 150" Length	LSQ-1-CABLE-PF
LSQ Surface/Ceiling Mount Bracket	LSQ-1-SURFACE
LSQ Continuous Run Bracket	LSQ-1-CR-BRACKET
LSQ Endcap W/Knockout & EVA	LSQ-1-ENDCAPKIT*
LSQ Remote Aircraft Cable Kit Power Feed, 150" Length	LSQ-1-CABLE-R-PF

*Endcap Kit is required for continuous run installations.



LSE | ELARA Ordering Information

Series	Version	Length	Light Pattern	Input Voltage	CCT	Finish Color	Driver Configuration	Mounting
LSE	1 (Version 1)	4 (Foot)	2 (20 Up/80 Down)	U (120-277)	35 (3500 K)	W (White)	I (Integral)	C (Cable)
					40 (4000 K)	S (Silver)*	R (Remote)**	P (Pendant)
					50 (5000 K)	C (Custom)*		W (Wall Mount)

* Only available as special order. Contact NICOR for more info.

** Remote configuration requires installation of the Remote Power System LCU1UNV54LSE4 (4' only) & LCU1UNV75LSE8 (8' only)

LCU Ordering Information

Required for (R) remote driver configuration

LCU Remote Power System for LSE4	LCU1UNV54LSE4
LCU Remote Power System for LSE8	LCU1UNV75LSE8

Additional Accessories

LSA, LSE, LSQ Pendant Mount Non Power Feed, 48" Length	LSALSESQ1PENDANT
LSA, LSE, LSQ Pendant Mount Power Feed, 48" Length	LSALSESQ1PENDANTPF
LSA, LSE, LSQ Remote Pendant Mount Non Power Feed, 48" Length	LSALSESQ1PENDANTRPF
LSE Wall Mount Bracket	LSE-1-WALL*
LSE, LSQ Wall Mount Kit Power Feed	LSELSQ-1-WALL-PF
LSE Aircraft Cable Kit Non Power Feed, 150" Length	LSE-1-CABLE
LSE Aircraft Cable Kit Power Feed, 150" Length	LSE-1-CABLE-PF
LSE Remote Aircraft Cable Kit Power Feed, 150" Length	LSE-1-CABLE-R-PF
LSE Continuous Run Bracket	LSE-1-CR-BRACKET

*Only available with 4ft fixture

Warehouse Locations:

Albuquerque, NM

Buford, GA

Detroit, MI

Roseville, CA

NICOR Lighting

2200 Midtown Pl. NE Albuquerque, NM 87107 USA

T 800.821.6283

F 800.892.8393

www.nicorlighting.com

