



LED DOWNLIGHT COLLECTION

RECESSED • SURFACE-MOUNT • CANLESS • ACCESSORIES





NICOR's family of LED downlights continues to deliver high-performance lighting solutions for residential and multifamily applications. This latest expansion of downlights consists of recessed, surface-mount, and canless remote driver luminaires, each offered in various sizes, color temperatures, and feature sets. Each downlight is designed for ease of use and practicality to maximize light distribution, coverage, and lumen output while delivering high-quality lighting that exceeds 90 CRI. Adding light to new or existing applications has never been easier.

4

RECESSED

- 6 DCG
- 8 DCG-Select
- 10 DCR
- 12 DCR-Select
- 14 DEB56
- 16 DLG
- 18 DLQ4
- 20 DLQ5
- 22 DLR2/DQR2/ DQR2-AA/ DLG2
- 24 DLR3
- 26 DLR3-Select
- 28 DLR4-R
- 30 DLR-Select
- 32 DLRV6P
- 34 DLRV7
- 36 DQR
- 38 DQR4MA
- 40 RDN
- 42 RMP

44

SURFACE-MOUNT

- 46 DLFv3 SureFit™
- 48 DLFv5 SureFit™
- 50 DLS
- 52 DSE
- 54 RCD
- 56 RSD
- 58 RSDS
- 60 RSDS-M

62

CANLESS

- 64 CLR-Select
- 66 CLRv3-Select
- 68 DGC4
- 70 DGD
- 72 DGD-Select
- 74 DGF4
- 76 DRD/DQD
- 78 REL
- 80 RELS
- 82 RELS-R
- 84 REL6-UNV
- 86 REL-FR



88

FRAMES

- 88 Multiframe
- 90 DLR4/DLR56 Frames

92

HOUSINGS

- 2" Housings
- 3" Housings
- 4" Housings
- 6" Housings

94

ACCESSORIES

- Goof Rings
- Rough-in Templates
- Rough-in Frames
- Extension Cables



RECESSED

LED Downlight Family

NICOR's Recessed Downlight Series features high-quality and energy-efficient LED solutions designed to replace outdated recessed lighting. With a variety of size, trim, and finish options, our recessed downlights easily install into most remodel and new construction housings to complement any room or setting. Advanced LED technology provides optimal color accuracy while minimizing power draw to improve the overall lifespan of each fixture. Quality production processes using durable materials make our recessed downlights a reliable choice for residential and commercial spaces alike.





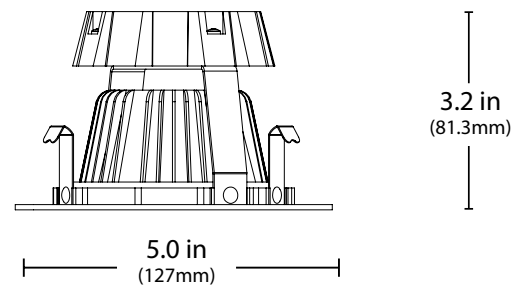
DCG

Plastic Recessed LED Gimbal

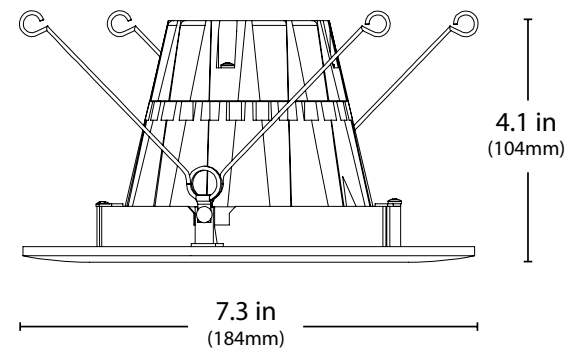
The DCG LED Downlight Gimbal Series provides an economical, easy-to-install upgrade from incandescent lighting to a long-lasting and energy-efficient LED solution in both 4" and 6" sizes. Its easy-to-use twist-and-turn design allows for fine adjustment of the gimbal position. The 354°-359° of rotation and 35° of adjustable tilt makes the DCG suitable for sloped ceilings and wall wash. The sleek design enhances any interior space with its flush mounting and aesthetic appeal.

Dimensions

DCG4



DCG6



FEATURES

Adjustable Tilt

35° of adjustable tilt and 354° - 359° of rotation



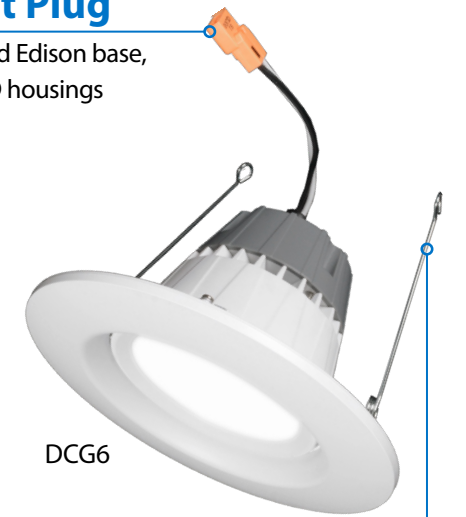
DCG4

Mounting Arms

Integrated spring friction fit mounting arms

Quick-Connect Plug

Enables use with included Edison base, GU24 base, or NICOR LED housings



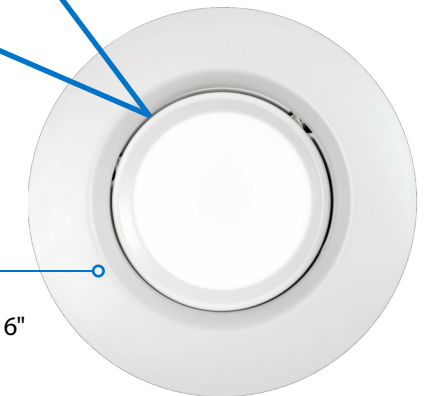
DCG6

Spring-Steel Mounting Arms

Compatible with most 6" recessed housings with fully captured, spring-steel mounting arm system

Robust Flange

Durable aluminum on 4", UV-inhibited polymer on 6"



Ordering Information					Example: DCG621202KWH			
Series	Version	Voltage	CCTs	Finish	Model Number	Lumens	Watts	Lumens/Watt
DCG4	2	120	2K (2700K)	WH	DCG421202K	534	7.5	71.4
			3K (3000K)		DCG421203K	545	7.5	72.8
			4K (4000K)		DCG421204K	565	7.5	75.5
DCG6	2	120	5K (5000K)	WH	DCG421205K	572	7.5	76.4
			2K (2700K)		DCG621202K	832	10.4	80.0
			3K (3000K)		DCG621203K	848	10.4	81.6
					DCG621204K	880	10.4	84.7
					DCG621205K	891	10.4	85.7

Performance Data			
Model Number	Lumens	Watts	Lumens/Watt
DCG421202K	534	7.5	71.4
DCG421203K	545	7.5	72.8
DCG421204K	565	7.5	75.5
DCG421205K	572	7.5	76.4
DCG621202K	832	10.4	80.0
DCG621203K	848	10.4	81.6
DCG621204K	880	10.4	84.7
DCG621205K	891	10.4	85.7

Specifications and dimensions subject to change without notice.

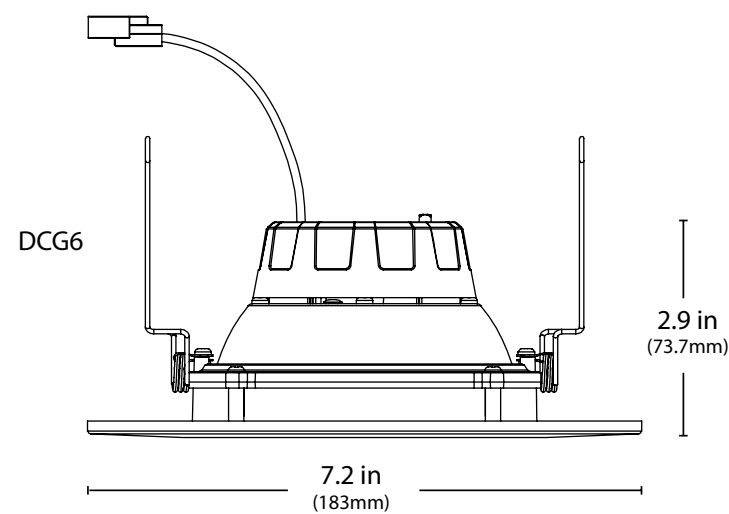
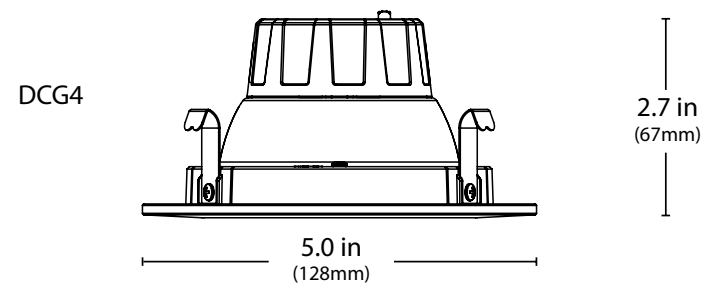


DCG-Select

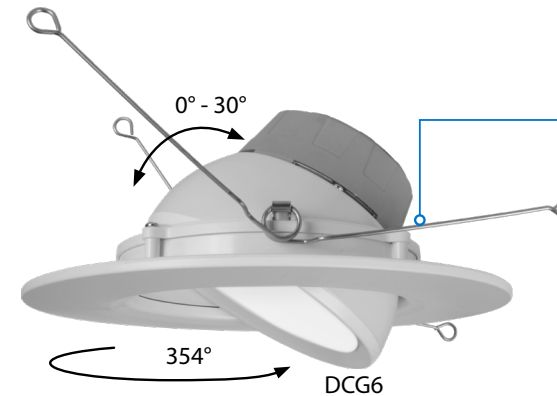
Plastic Recessed LED Gimbal

The DCG Recessed LED Gimbal Downlight Series provides an economical and straightforward solution for transitioning from traditional incandescent lighting to a durable, energy-efficient LED system. Its user-friendly twist-and-turn mechanism ensures precise gimbal positioning, offering up to 350° of rotation and 30° of adjustable tilt for the 4" version and up to 354° of rotation and 30° of adjustable tilt for the 6" model, making it a versatile solution for sloped ceilings and wall wash applications. With its sleek, flush-mounted design, the DCG not only delivers exceptional functionality but also enhances the aesthetic appeal of any interior space.

Dimensions



FEATURES



Steel Torsion Springs (DCG6)

Compatible with most 5" & 6" recessed housings with a fully captured, steel v-spring mounting system.

Connector Base

Includes quick-connect plug with Edison base adapter to fit most recessed housings. GU24 adapter sold separately.

New Compact Size

Features an integrated driver, perfect for IC-rated and shallow housings.

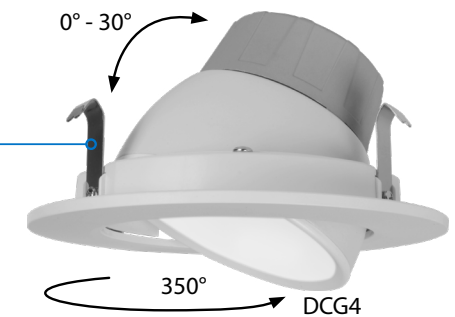
Polymer Construction

Durable, lightweight, and resistant to rust.



Steel Friction Clips (DCG4)

Compatible with 4" recessed housings using a steel friction clip mounting system.



Ordering Information

Example: DCG43120SWH

Series	Version	Voltage	CCTs	Finish
DCG4 (4")	3	120	S (Select: 27/30/35/40/50K)	WH
DCG6 (6")				

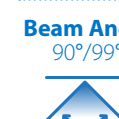
Performance Data

Model Number	CCT	Lumens	Power Draw	Lumens/Watt
DCG43120SWH	2700	719	7.42	97
	3000	731	7.35	99
	3500	746	7.23	100
	4000	752	7.23	101
DCG63120SWH	5000	768	7.42	103
	2700	921	9.36	97
	3000	938	9.21	99
	3500	956	8.99	100
	4000	967	9.00	101
	5000	979	9.19	103

Recommended Dimmers*

Lutron Maestro MACL-153M	Lutron Skylark CTCL-153PDH-WH
Lutron Toggler TGCL-153PH-WH	Lutron DIVA DWCL-153PH-WH

*Not a complete list. Check compatibility before installation.





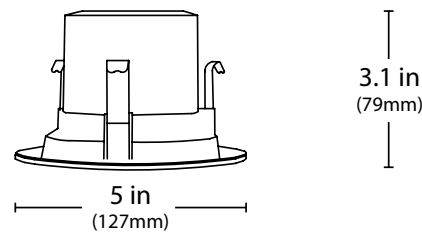
DCR

Plastic Recessed LED Downlight

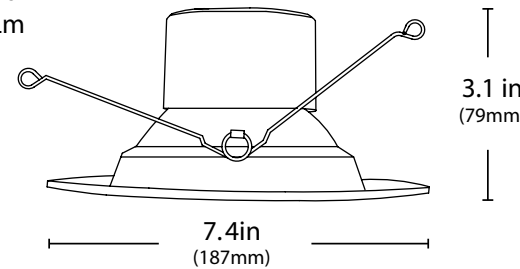
The DCR from NICOR is a 4" or 5"/6" recessed LED downlight that is ideal for new construction or as a retrofit into most 4" or 5"/6" housings. Improved to meet the newest certification standards, the DCR is over 70 LPW, 90+ CRI and R9 greater than 50. With a robust polymer trim, the DCR is an excellent choice for energy efficient, high quality lighting.

Dimensions

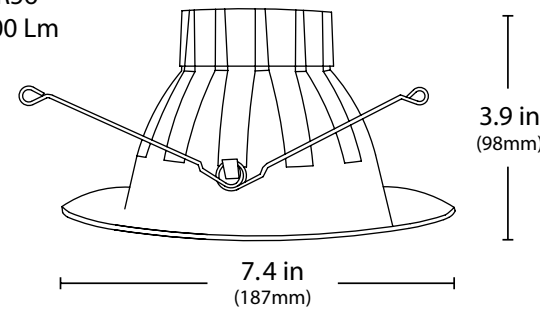
DCR4



DCR56
800 Lm



DCR56
1200 Lm



FEATURES

Friction Clips 4"

Integrated spring steel clips fit in most standard 4" housings

Quick-Connect Plug

Enables use with included Edison base, GU24 base, or NICOR LED housings

Torsion Springs 5" and 6"

Compatible with most 5" and 6" recessed housings using a torsion spring mounting system for installation



Color Trims

Available in Nickel, Black, or Aged Copper

Polymer Trim

Robust polymer prevents chipping, cracking, dents, and scratches. Available in smooth and baffle finishes

High Performance LEDs

LEDs offer greater than 90 CRI and R9 greater than 50 for true color rendering

High Performance LEDs

Low profile, integrated driver is dimmable to 10% with most TRIAC dimmers

Ordering Information

Series	Version	Voltage	CCTs	Finish
DCR4	106 (v1.0, 600 Lm)	120	2K (2700K)	WH (White)
			3K (3000K)	WHBF (White Baffle)*
			4K (4000K)	
DCR56	108 (v1.0, 800 Lm)	120	4K (4000K)	
	212 (v2.0, 1200 Lm)		5K (5000K)	

* White Baffle finish option for DCR4 and DCR56 800 Lm, 2K and 3K downlights only.

*Specifications and dimensions subject to change without notice.

Recommended Dimmers*

Lutron DIVA DVELV-300P	Lutron SKYLARK SELV-300P
Lutron DIVA DVELV-303P	Lutron SKYLARK SCL-153P
Lutron DIVA DVCL-153P	

Housing Compatibility*

Trim Model Number	Housing Model Number	Description
DCR4	19000A-LED-ID	4" LED IC AIRTIGHT NEW CONSTRUCTION HOUSING
	19001AR-LED-ID	4" LED IC AIRTIGHT REMODEL HOUSING
<i>Most Standard 4" Housings</i>		
DCR56	17014A-LED-ID	6" LED IC AIRTIGHT NEW CONSTRUCTION HOUSING
	17014AR-LED-ID	6" LED IC AIRTIGHT REMODEL HOUSING
<i>Most Standard 5" or 6" Recessed Housings</i>		

*Not a complete list. Check compatibility before installation



DCR-Select

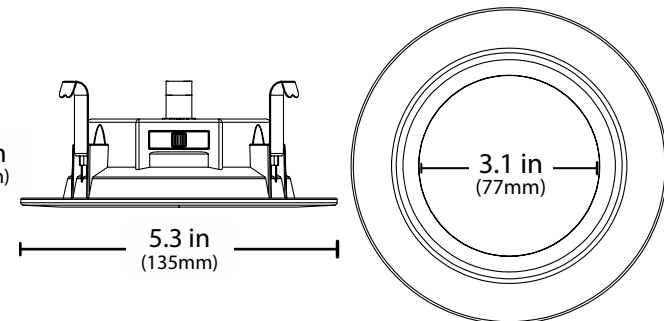
Recessed LED Downlight

The DCR from NICOR is a versatile recessed LED downlight available in 4" and 5"/6" sizes, suitable for both new construction and retrofit applications in most standard housings. Meeting the latest certification standards, the DCR delivers over 70 lumens per watt (LPW) with a color rendering index (CRI) of 90+ and an R9 value greater than 70, ensuring high-quality, vibrant illumination. Featuring a robust polymer trim, the DCR offers durability and an attractive finish, making it an excellent choice for energy-efficient, high-quality lighting solutions.

Dimensions

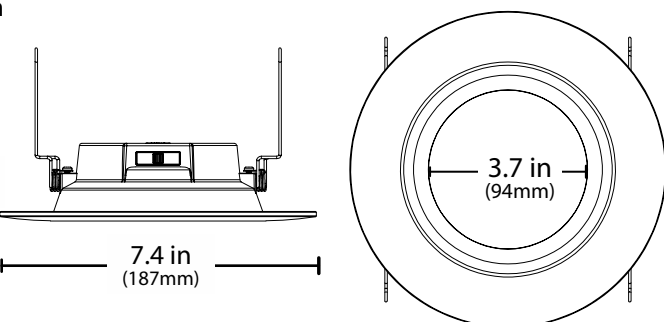
DCR
4-inch

T
1.47 in
(37.5mm)



DCR56
6-inch

T
1.8 in
(46mm)



FEATURES

Friction Clips 4"

Integrated spring steel clips fit in most standard 4" housings

High Performance LEDs

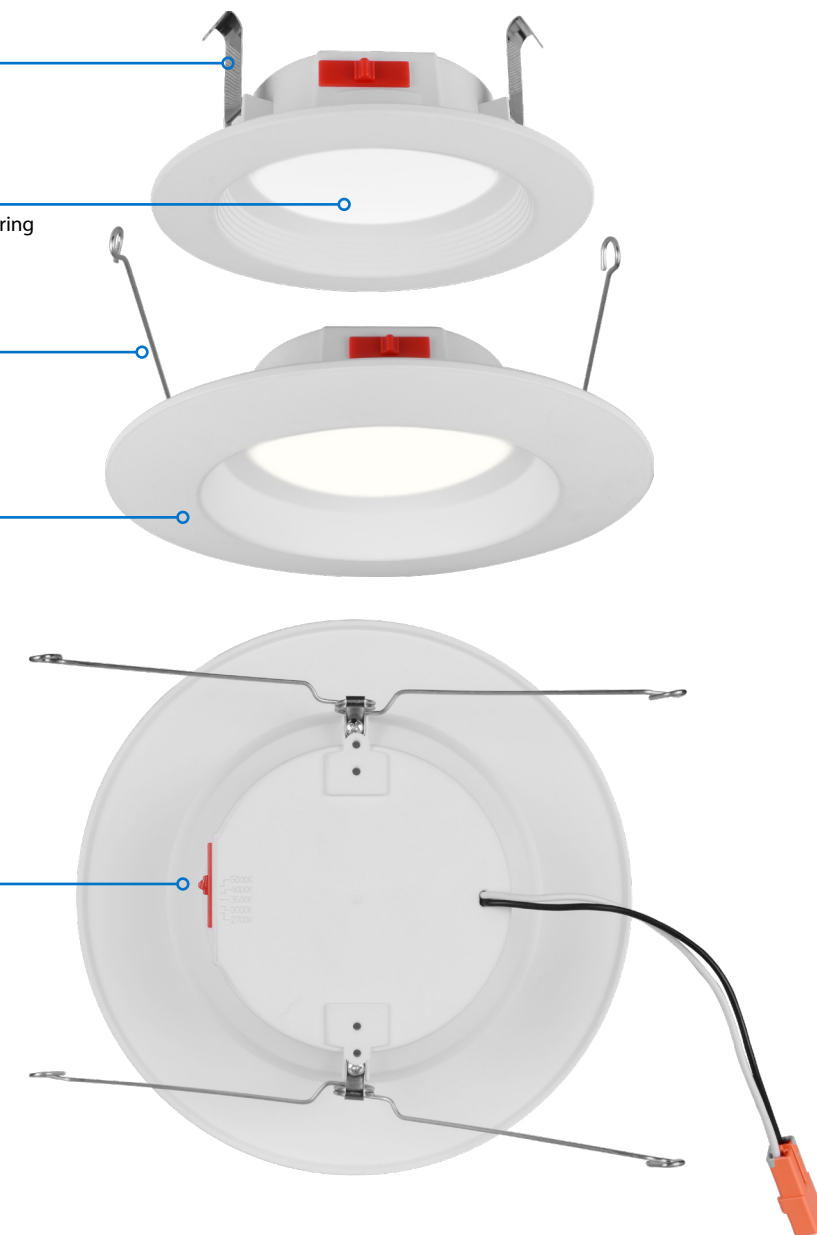
LEDs offer greater than 90 CRI and R9 greater than 50 for true color rendering

Torsion Springs 5" and 6"

Compatible with most 5" and 6" recessed housings using a torsion spring mounting system for installation

Polymer Trim

Anti-rust polymer prevents chipping, cracking, dents, and scratches. Available in smooth and baffle finishes



Ordering Information: *Example: DCR563120S9WHBF*

Series	Version	Voltage	CCTs	CRI	Trim	Baffle
DCR4 (4")	3	120	S (Select) (27K/30K/35K/40K/50K)	9 (90+)	WH (White)	____ (Smooth)
DCR56 (5" & 6")						BF (Baffle)

Specifications and dimensions subject to change without notice. Please refer to the website for the most up-to-date information.

Recommended Dimmers*

Lutron Skylark SCL-153P

*Not a complete list. Check compatibility before installation.

Housing Compatibility *

19000A	4" AIRTIGHT NEW CONSTRUCTION HOUSING
19000A-LED-ID	4" LED IC-RATED AIRTIGHT NEW CONSTRUCTION HOUSING
19001AR	4" AIRTIGHT REMODEL HOUSING
19001AR-LED-ID	4" LED IC-RATED AIRTIGHT REMODEL HOUSING
MOST STANDARD 4" HOUSINGS FOR DCR4	
15006A	5" IC-RATED AIRTIGHT NEW CONSTRUCTION HOUSING
15006RA	5" IC-RATED AIRTIGHT REMODEL HOUSING
17014A	6" IC-RATED AIRTIGHT NEW CONSTRUCTION HOUSING
17014A-LED-ID	6" LED IC-RATED AIRTIGHT NEW CONSTRUCTION HOUSING
17014AR	6" IC-RATED AIRTIGHT REMODEL HOUSING
17014AR-LED-ID	6" LED IC-RATED AIRTIGHT REMODEL HOUSING
MOST STANDARD 5" and 6" HOUSINGS FOR DCR6	

*Not a complete list. Check compatibility before installation

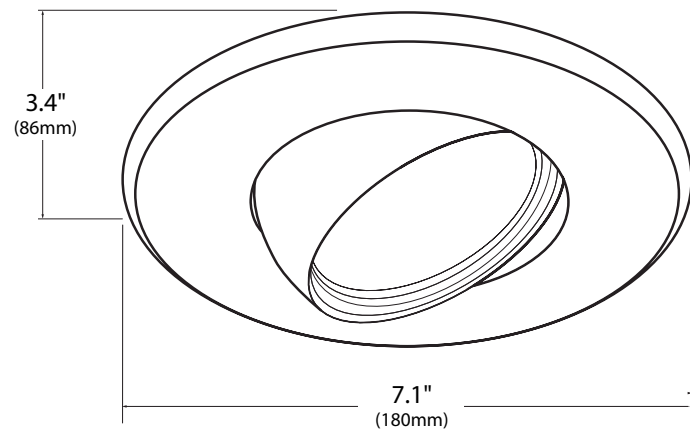


DEB56

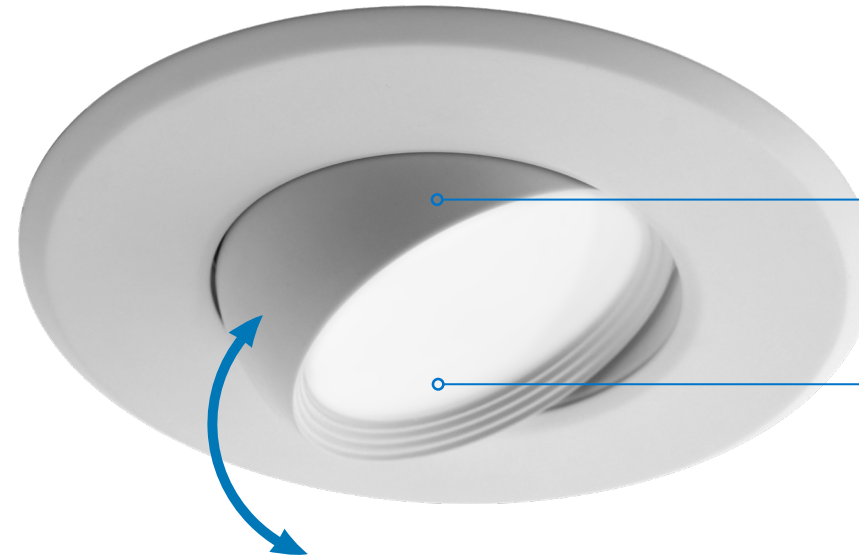
Recessed LED Eyeball

The perfect LED downlight for wall lighting and sloped ceilings, the DEB56 from NICOR® provides the flexibility for those applications where standard downlights don't quite fit. With 360° rotation and up to 30° of tilt, the DEB56 gives you the ability to aim over 900 lumens exactly where it's needed. The integrated torsion springs allow the DEB56 to fit into most 5" and 6" recessed housings.

Dimensions



FEATURES



Fixture Adjustments

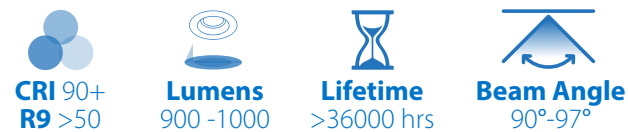
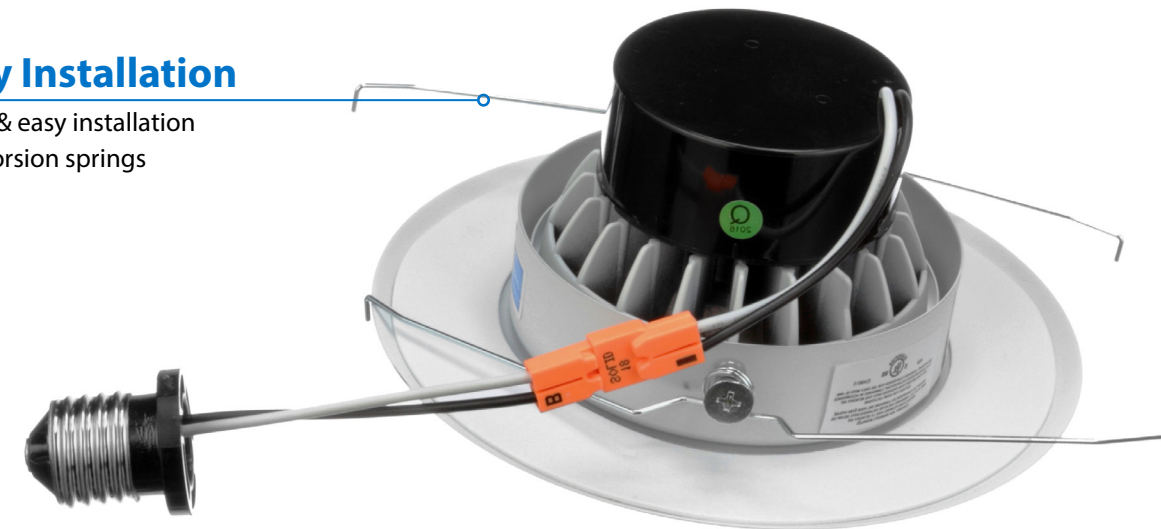
Manual tilt of +/- 35° and rotation up to 359°

High Performance LEDs

LEDs offer greater than 90 CRI and R9 greater than 50 for true color rendering

Easy Installation

Quick & easy installation with torsion springs



Ordering Information				
Example: DEB56-20-120-3K-WH				
Series	Version	Voltage	CCTs	Trim Color
DEB56	20 (v2.0)	120	2K (2700K)	WH (White)
			3K (3000K)	BK (Black)*
			4K (4000K)	NK (Nickel)*
				OB (Oil-Rubbed Bronze)*

Housing Compatibility*	
17014AR-LED-ID	6" AIRTIGHT REMODEL LED HOUSING
17014A-LED-ID	6" AIRTIGHT NEW CONSTRUCTION LED HOUSING

*Not a complete list. Check compatibility before installation

*Only available as special order. Contact NICOR for more info. Specifications and dimensions subject to change without notice.

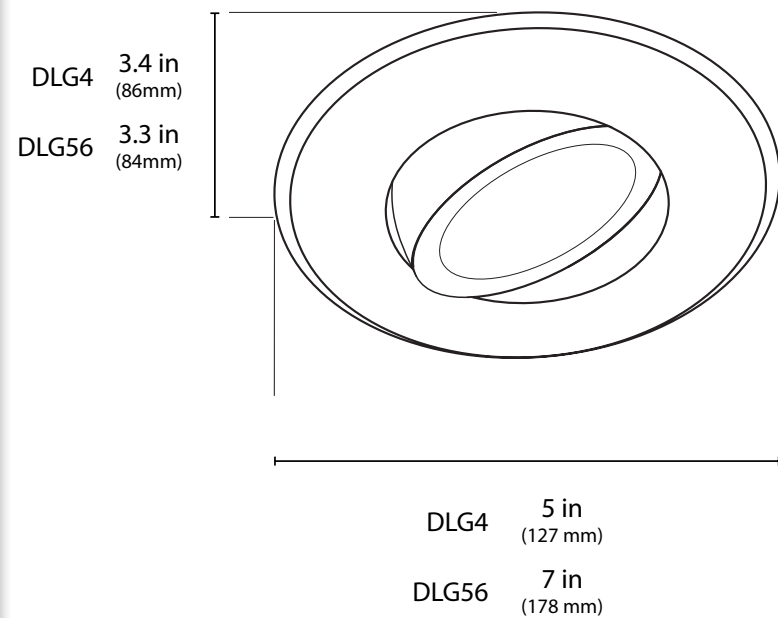


DLG

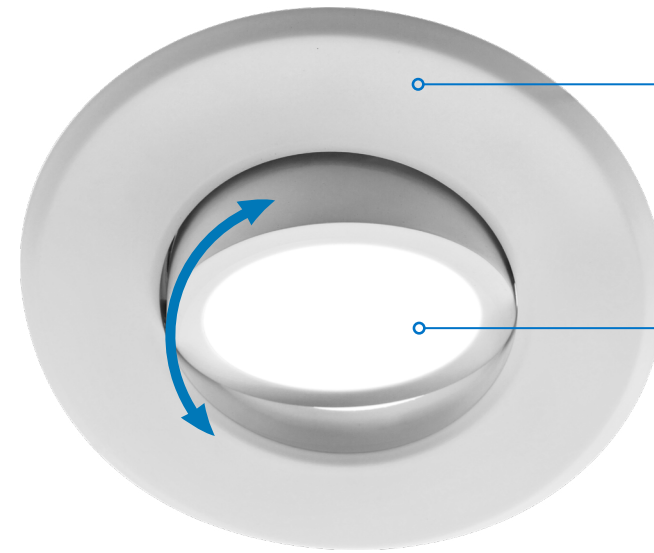
Recessed LED Gimbal

The DLG series Recessed LED Gimbal is available in 4" and 5/6" sizes. It's the perfect option for directional accent lighting. Its easy-to-use twist-and-turn design allows for fine adjustment of the gimbal position. The 360° of rotation and 35° of adjustable tilt in both directions makes the DLG suitable for sloped ceilings and wall wash. The sleek design enhances any interior space with its flush mounting and aesthetic appeal.

Dimensions



FEATURES



Finish

Powder coat finish

Fixture Adjustments

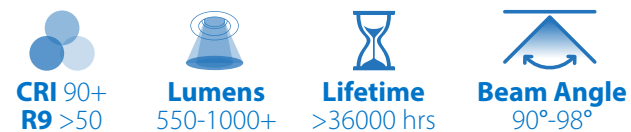
Manual tilt of ± 35° and rotation up to 359°

High Performance Driver

Integrated driver with 90 CRI and R9 greater than 50 for true color rendering

Friction Clips 4"

Integrated spring steel clips fit in most standard 4" housings



Recommended Dimmers*

Lutron Toggler TGCL-153P	Lutron Skylark SELV-300P
Lutron DIVA DVELV-300P	Leviton C22-06672-1LW
Lutron DIVA DVELV-303P	Lutron MAESTRO MACL-153P
Lutron DIVA DVCL-153P	

Ordering Information

Example: DLG56-10-120-3K-WH

Series	Size	Version	Voltage	CCTs	Trim Color
DLG	4 (4 inch)	10 (v1.0)	120	2K (2700K)	WH (White) BK (Black)* NK (Nickle)* OB (Oil-Rubbed Bronze)*
	5&6 (5&6 inch)			3K (3000K) 4K (4000K)	

*Only available as special order. Contact NICOR for more info. Specifications and dimensions subject to change without notice.

Model Housing Compatibility*

Model	Housing Compatibility*
DLG4	19000A-LED-ID 4" LED IC AIRTIGHT NEW CONSTRUCTION HOUSING
	19001AR-LED-ID 4" LED IC AIRTIGHT REMODEL HOUSING MOST STANDARD 4" RECESSED HOUSINGS
DLG56	17014A-LED-ID 6" LED IC AIRTIGHT NEW CONSTRUCTION HOUSING
	17014AR-LED-ID 6" LED IC AIRTIGHT REMODEL HOUSING MOST STANDARD 5" OR 6" RECESSED HOUSINGS

*Not a complete list. Check compatibility before installation

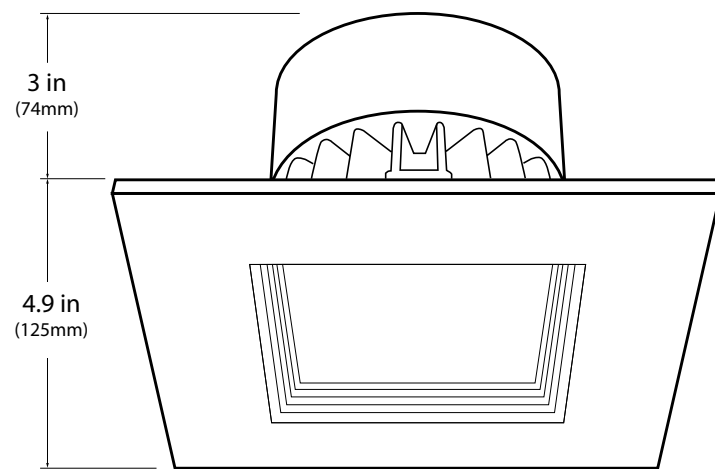


DLQ4

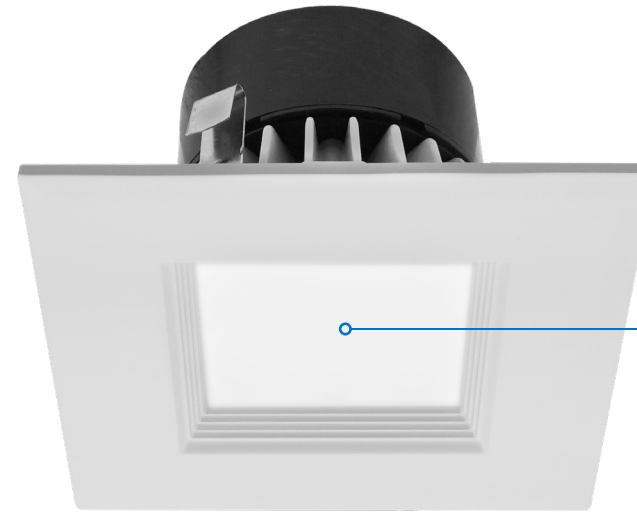
Square Recessed LED Downlight

Everything you love about the DLR4 is now available with the aesthetics of a square trim. Designed to boost energy efficiency, the LED light engine draws only 10.5 watts while achieving a light output to over 690 lumens. The enriched 90+ CRI light output provides superior color quality. Not only is the light quality better, but this design improvement meets new industry standards like Title 24.

Dimensions



FEATURES



Energy Efficiency

LED light engine draws only 10.5 watts with light output over 690 lumens

Edison Base Socket String

Ships with Edison base socket string for retrofit installation



Friction Clips 4"

Integrated spring steel clips fit in most standard 4" housings



-  **CRI 90+
R9 >50**
-  **Lumens
650+**
-  **Lifetime
>36000 hrs**
-  **Beam Angle
92°**

Ordering Information Example: DLQ4-10-120-3K-WH

Series	Version	Voltage	CCTs	Trim Color
DLQ4	10 (v1.0)	120	2K (2700K)	WH (White)
			3K (3000K)	BK (Black)*
			4K (4000K)	NK (Nickel)*
				OB (Oil-Rubbed Bronze)*

* Only available as special order. Contact NICOR for more info. Specifications and dimensions subject to change without notice.

Performance Data

Model Number	Lumens	Watts	Lumens/Watt
DLQ4-10-120-2K	664	11.3	58.7
DLQ4-10-120-3K	681	11.3	60.2
DLQ4-10-120-4K	700	11.3	61.9

Housing Compatibility*

19000A-LED-ID	4" LED IC AIRTIGHT NEW CONSTRUCTION HOUSING
19001AR-LED-ID	4" LED IC AIRTIGHT REMODEL HOUSING

Most Standard 4" Recessed Housings

*Not a complete list. Check compatibility before installation



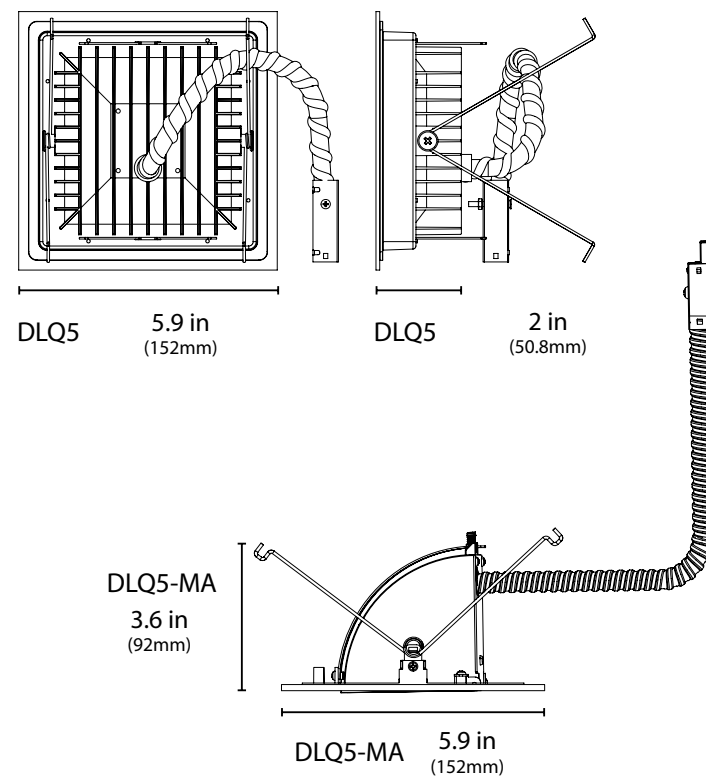
DLQ5

Square Recessed LED Downlight System

The DLQ5 Square Series is a modern architectural solution for lighting commercial, retail, and institutional spaces in the new construction market where high efficiency, low energy lighting is desired. The multi-adjustable downlight can be pivoted on both the X and Y axis, making it a very flexible option for wall wash and sloped ceilings. For precise aiming, manual tilt adjustments range from 0°- 83° and rotation up to 353° which are easily adjusted all from below the ceiling.

Constructed with a durable galvanized steel frame and adjustable hanger bars, the DLQ5 Series fits securely and installs easily into most any space.

Dimensions



FEATURES

Construction

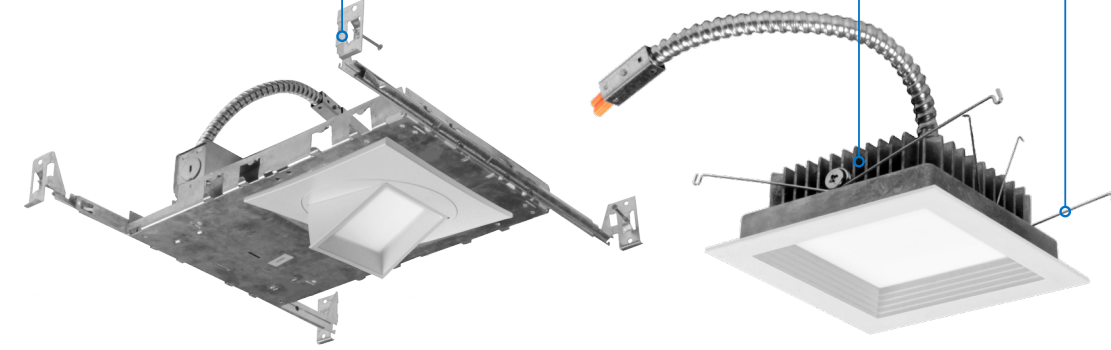
Durable galvanized steel frame, with adjustable hanger bars to fit securely into most spaces

Heat Management

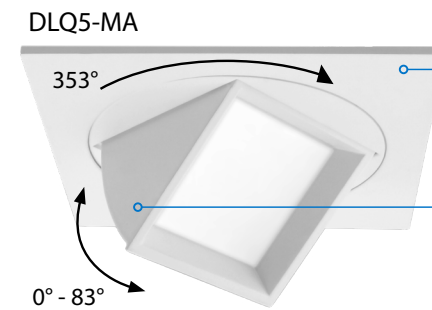
Die cast aluminum module routes heat away from electrical components.

Module & Trim Installation

Quick and easy installation with torsion spring mounting system.



- CRI 90+ R9 >50
- Lumens 1000-1100+
- Lifetime >46000 hrs
- Beam Angle 102°-105°



Finish

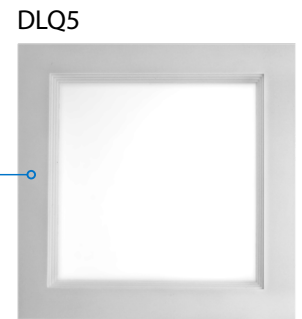
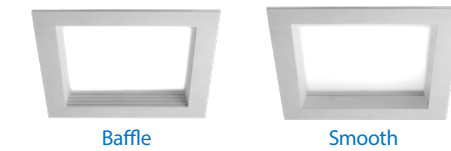
White metal trim. Available in Black, Oil-Rubbed Bronze and Nickel

Multi-adjustable

353°/83° range of motion allows ability to aim light exactly where it's needed

Finish

Interchangeable White Plastic Trims



DLQ5

Ordering Information *Example: DLQ5-10-120-3K-WH*
(Includes Light Module, Frame, and Trim, boxed separately)

Series	Version	Voltage	CCTs	Trim
DLQ5	10 (v1.0)	120	3K (3000K)	WH (White)
				WH-BF (White Baffle)

Component	Part Number	Description
LIGHT MODULE	DLQ5-10-120-3K	3000K 5" Square 90 CRI Module
FRAME	DLQ5-10-FRAME	5" Square Frame
TRIM	DLQ5-TRIM-WH	5" LED Square White Trim
	DLQ5-TRIM-WH-BF	5" LED Square White/Baffle Trim

Recommended Dimmers*

Lutron DIVA DVELV-300P	Lutron Skylark SELV-300P
Lutron DIVA DVELV-303P	*Not a complete list. Check compatibility before installation.

DLQ5-MA

Ordering Information *Example: DLQ5-MA-FIXT-3K-WH*
(Includes Light Module & Frame, boxed separately)

Series	Complete Fixture (Module & Frame)	CCT's Trim
DLQ5-MA	FIXT	2K-WH (2700)
		3K-WH (3000)
		4K-WH (4000)

Component	Part Number	Trim	Description
DOWNLIGHT MODULE	DLQ5-MA-10-120-2K	WH (White)	2700K 5" MA** Square Module
	DLQ5-MA-10-120-3K	BK (Black)*	3000K 5" MA** Square Module
	DLQ5-MA-10-120-4K	NK (Nickel)*	4000K 5" MA** Square Module
		OB (Oil-Rubbed Bronze)*	
FRAME	DLQ5-10-FRAME		5" Square Frame

*Contact factory for lead-time and MOQ. **Multi-adjustable

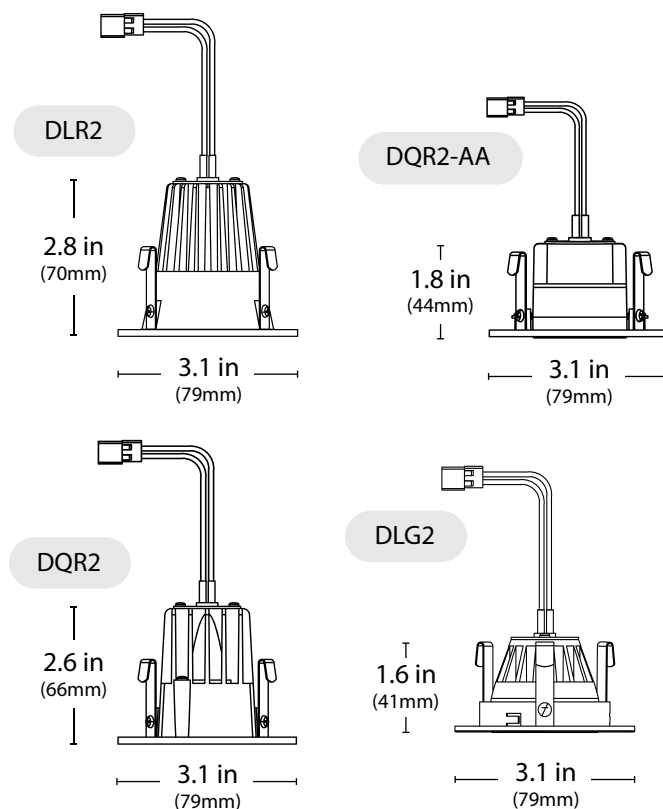
Specifications and dimensions subject to change without notice.

DLR2/DQR2/ DQR2-AA/DLG2

2" Recessed LED Downlights

NICOR offers a comprehensive family of 2" LED downlight fixtures that complement one another no matter your design space needs. The new 2" family packs a punch with its small, elegant design along with its high lumen output. Not only does this family work perfect for accent and task lighting, but the lighting output allows you to bring general ambient lighting into a space with a very small, architectural exposure. From LED color rendering and trim finishes to fixture performance, this series is a perfect choice for commercial, retail, institutional, and residential applications.

Dimensions



DLG2 & DQR2-AA not Wet Location Rated

FEATURES

Friction Clips

Compatible with NICOR 2" recessed housings using a friction clip system for installation.

Easy Installation

Snap-in quick-connect plug make installation into NICOR 2" housings quick & easy



Durable Construction

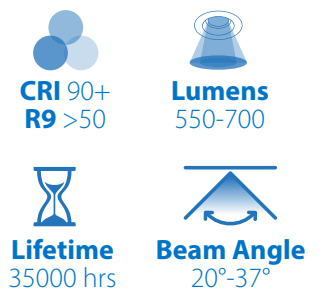
Durable, all-metal construction

Multiple Color Options

Available in White, Black, Nickel, and Oil-Rubbed Bronze

Product Information	DLR2	DQR2	DQR2-AA	DLG2
LED Lifetime	35,000 hrs	35,000 hrs	35,000 hrs	35,000 hrs
Input Voltage (input to driver located in 2" housing)	120V	120V	120V	120V
Power Draw	9W	9W	9W	9W
Delivered Lumens*	642 Lm	628 Lm	674 Lm	678 Lm
System Efficacy*	74 Lm/W	71 Lm/W	77 Lm/W	79 Lm/W
Correlated Color Temp	3000K	3000K	3000K	3000K
Coloring Rendering Index	92 CRI	92 CRI	92 CRI	92 CRI

* Performance data shown at 3000K. For more information, visit www.nicorlighting.com



Ordering Information

Example: DLR2-10-120-3K-WH-BF-NF

Series	Version	Voltage	CCTs	Trim	Baffle	Optics
DLR2	10 (v1.0)	120	2K (2700K) 3K (3000K) 4K (4000K)	WH (White) BK (Black)* NK (Nickel)* OB(Oil-Rubbed Bronze)*	Blank (no baffle) BF (baffle)**	Blank (37° Standard Optic) NF (30° Narrow Optic) SP (20° Spot Optic)
DQR2						
DQR2-AA						
DLG2						

* Only available as special order. Contact NICOR for more info.

** Only available for DLR2 and DQR2

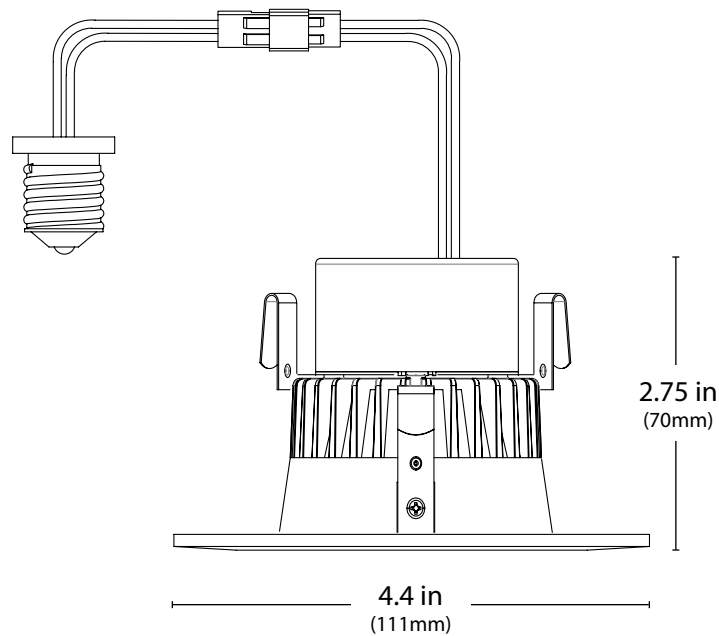


DLR3

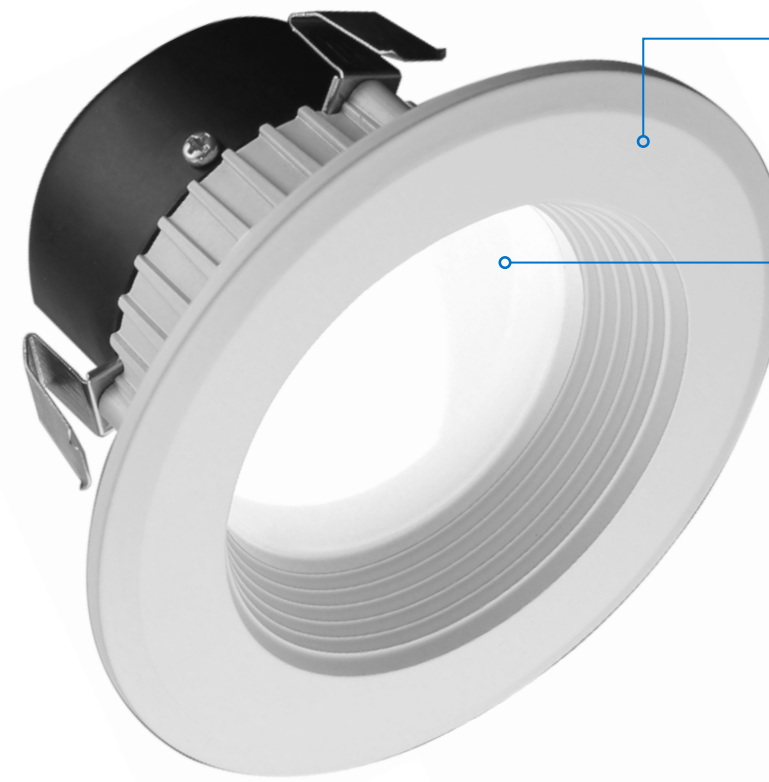
3" Recessed LED Downlight

The DLR3 combines price, performance and design all in one package. Compatible with most 3" recessed housings, this luminaire delivers incredible color accuracy with 90+ CRI and flexible dimming capabilities. The DLR3 is an ideal commercial, retail, institutional, or residential downlight choice for retrofit or new construction. Redesigned to boost energy efficiency, the LED light engine draws only 8 watts while improving light output to over 600 lumens. The enriched 90+ CRI provides superior color quality, along with an R9 greater than 50. Not only is the light quality better, but this design improvement meets new industry standards like Title 24 and CEC.

Dimensions



FEATURES



Matte White Finish

Powder coat, matte white finish with step-baffle design for a clean aesthetic

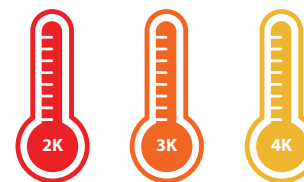
High Performance

Color Rendering (CRI) > 90
Red (R9 Value) > 50



Tension Clip Mounting

Installs directly into 3" recessed housings
Holds firmly in place with 3 reinforced clips



Ordering Information					Example: DLR3-10-120-3K-WH-BF
Series	Version	Voltage	CCTs	Trim Color	
DLR3	10 (v1.0)	120	2K (2700K)	WH-BF (White Baffle)	
			3K (3000K)	BK-BF (Black Baffle)*	
			4K (4000K)	NK-BF (Nickle Baffle)*	
			OB-BF (Oil-Rubbed Bronze Baffle)*		

*Only available as special order. Contact NICOR for more info. Specifications and dimensions subject to change without notice.

Recommended Dimmers*	
Lutron Toggler TGCL-153P	Lutron Skylark Contour CTCL-153P
Lutron DIVA DVCL-153P	Lutron DIVA DVELV-300P
Lutron Skylark SCL-153P	

Housing Compatibility*	
13200A-LED	3" LED IC AIRTIGHT NEW CONST. HOUSING
13201AR-LED	3" LED IC AIRTIGHT REMODEL HOUSING

*Most Standard 3" Recessed Housings
*Not a complete list. Check compatibility before installation

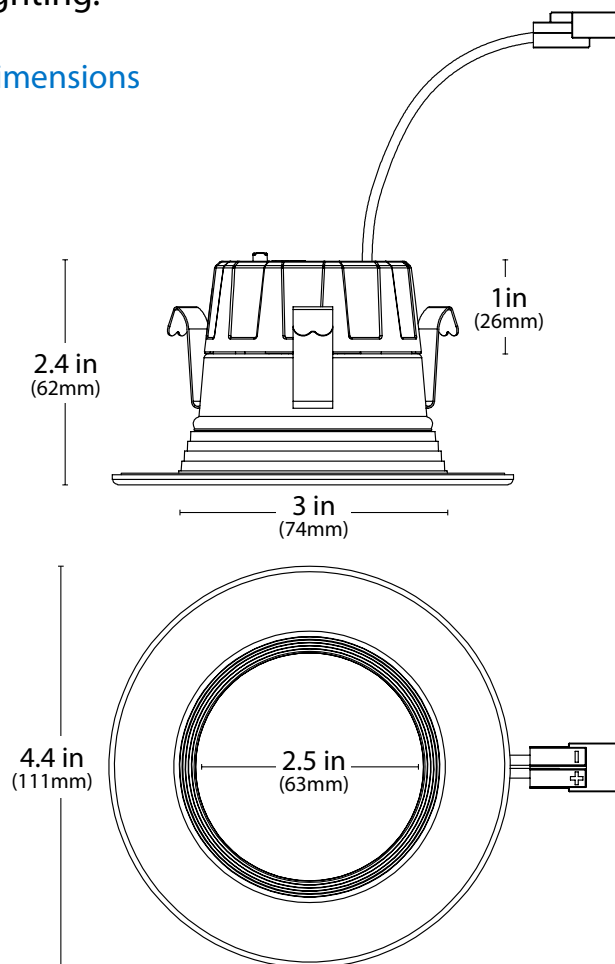


DLR3-Select

3" Recessed LED Downlight

The DLR3 Select is a newly improved 3" recessed downlight offering higher lighting efficiency for residential and commercial settings. Its quick and easy installation with a luminaire connector and friction fit mounting system, along with an Edison screw base adaptor are perfect for remodel construction, making it a breeze to replace outdated fixtures. With an impressive CRI rating of 90 and an RA value of 60, it delivers exceptional light quality, ensuring accurate color representation. Adjusting the mood settings with the 5CCT selectable switch offers options from warm 2700K to cool 5000K lighting.

Dimensions



FEATURES



Mounting Arms

Integrated spring friction fit mounting arms

Brilliant light quality

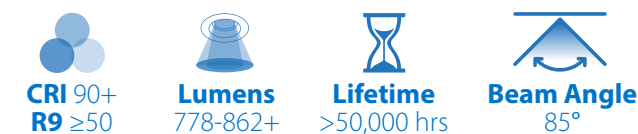
Impressive CRI rating of 90 & an R9 value of 60, ensuring accurate color representation

5CCT Selectable

Go from warm white to daylight with 5 selectable color temperature settings

Connector with E26 Adapter

Makes for quick and easy installation with traditional or LED recessed housings



Ordering Information

Series	Version	Voltage	CCTs	CRI	Trim	Baffle
DLR3	2 (v2.0)	120	S (Select: 27/30/35/40/50K)	9 (90)	WH (White)	BF (Baffle)

*Specifications and dimensions subject to change without notice. Please refer to the website for the most up-to-date information.

Recommended Dimmers*

Lutron Maestro MACL-153M	Lutron TGCL-153PH
Lutron Skylark CTCL-153PDH	Lutron Diva DVWCL-153PH

*Not a complete list. Check compatibility before installation.

Housing Compatibility*

13200A-LED	3" LED IC AIRTIGHT NEW CONST. HOUSING
13201AR-LED	3" LED IC AIRTIGHT REMODEL HOUSING

*Most Standard 3" Recessed Housings. *Not a complete list. Check compatibility before installation.

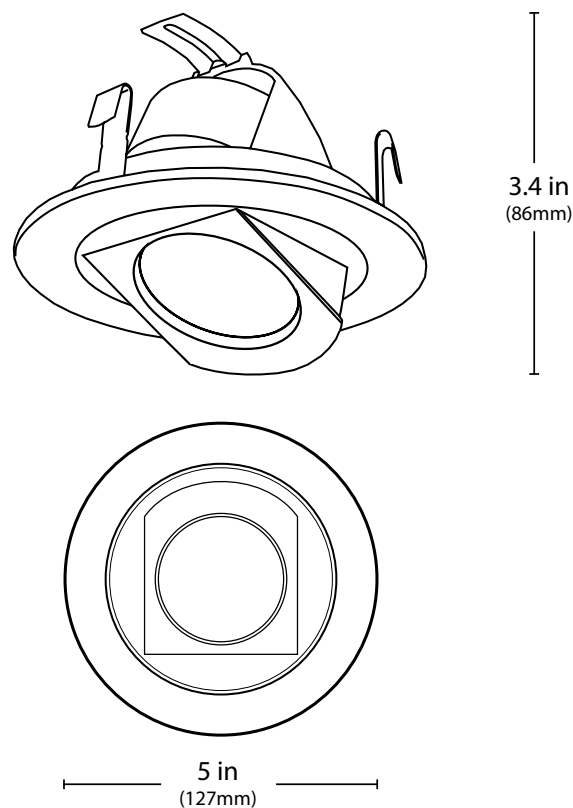


DLR4-R

Retractable LED Downlight

The DLR4-R retractable fixture takes the guesswork out of where to position your light. This warm ambient light source gives you 359° of rotation and 80° of adjustable tilt, making this 4" fixture perfect for both accent and task lighting. You direct the light exactly where you need it without having to move anything in your design space. From LED color rendering and CCT options to fixture performance, this series is ideal for commercial, hospitality, and residential applications.

Dimensions



FEATURES

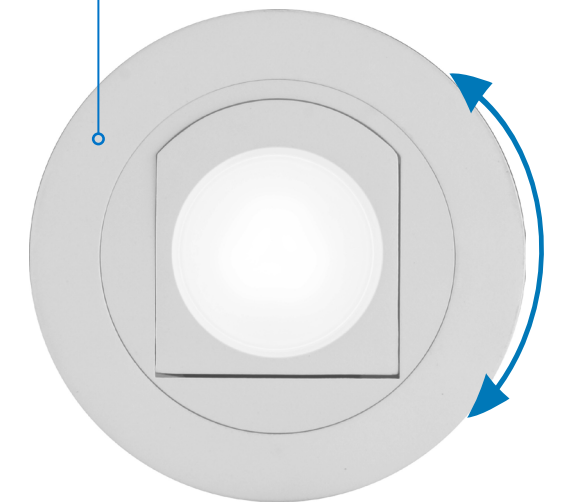
Cast-Aluminum Housing

Routes heat away from electrical components



Full Rotation

Adjustable LED head rotates 359°



Retractable

Retractable LED head tilts down to 80°



**CRI 90+
R9 >50**

**Lumens
600-700**

**Lifetime
>54000 hrs**

**Beam Angle
61° - 97°**

Ordering Information				Example: DLR4-R-10-120-3K-WH
Series	Version	Voltage	CCTs	Trim Color
DLR4-R	10 (v1.0)	120	2K (2700K) 3K (3000K) 4K (4000K)	WH (White)

Recommended Dimmers*

Lutron MAESTRO MACL-153P	Lutron DIVA DVELV-303P
Lutron Toggler TGCL-153P	Lutron Skylark SELV-300P
Lutron DIVA DVELV-300P	

Housing Compatibility*

19000A-LED-ID	4" LED IC AIRTIGHT NEW CONSTRUCTION HOUSING
19001AR-LED-ID	4" LED IC AIRTIGHT REMODEL HOUSING

*Most Standard 4" Recessed Housings
*Not a complete list. Check compatibility before installation

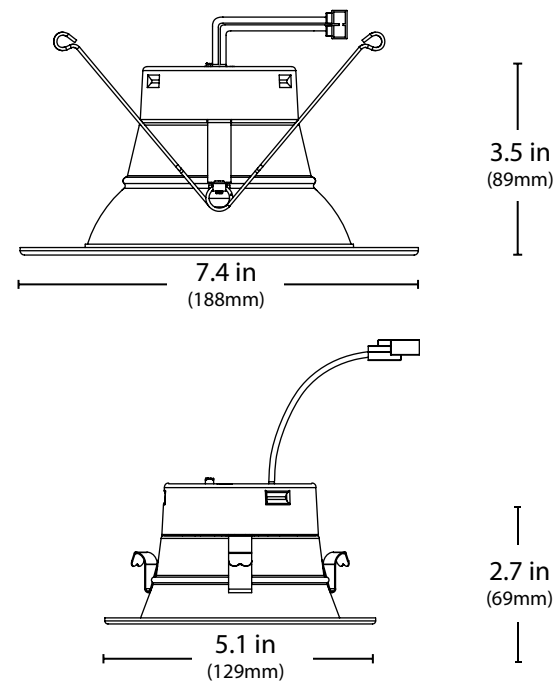


DLR-Select

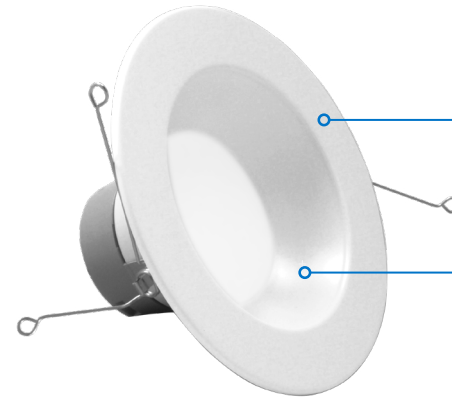
Recessed LED Downlight

The DLRv6 is the newest generation of NICOR retrofit downlights, now in Single CCT and Selectable CCT models. The DLRv6 from NICOR is a 4" or 5"/6" recessed LED downlight that is ideal for new construction using standard housings or the patented new construction frame, or as a retrofit into most existing housings. Improved to meet the newest certification standards, the DLR series is over 80 LPW, 90+ CRI, and R9 > 50. The DLR Single CCT is available in 3000K. With a micro-switch on the driver cap, the DLR Select offers the ability to adjust the CCT to 2700, 3000, 3500, 4000, or 5000K. The DLRv6 system of the downlight combined with the frame provides the lowest overall system cost for energy efficient, high quality lighting.

Dimensions



FEATURES



Reduced Glare

Increased trim depth provides lower glare and a quieter operation

Steel Trim

Powder coated steel trim, available in both smooth and baffle, routes heat away from electrical components

Quick-Connect Plug

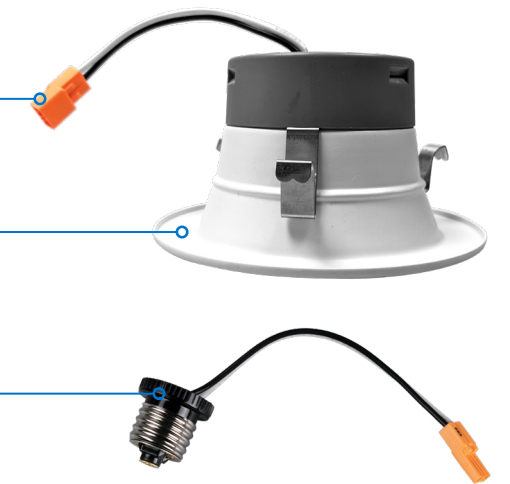
Makes for quick and easy installation

Ultra Low Profile

Designed for patented DLR frame use and for use in shallow housings

Edison Base Socket String

Ships with Edison base socket string for retrofit installation



AVAILABLE IN SINGLE OR SELECT CCT

For maximum adjustability, choose between five different CCTs to best suit your space.



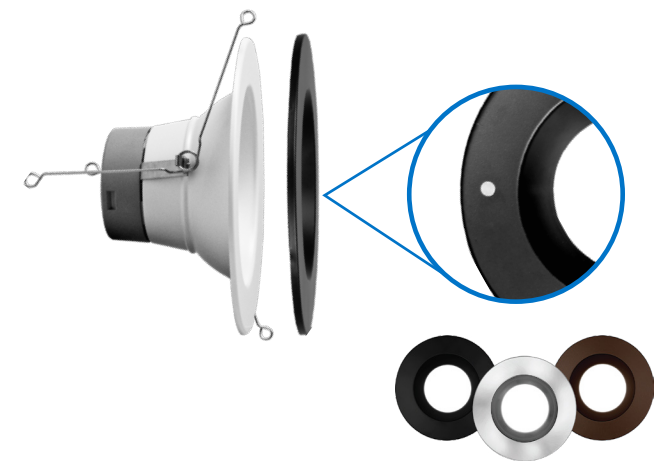
SINGLE CCT



4 & 5/6" SELECTABLE

UPGRADED ATTACHMENT TECHNOLOGY

New magnetic trim attachment simplifies installation. Available in **Black, Nickel, and Oil-Rubbed Bronze** in both smooth and baffle.



Ordering Information		Example: DLR56609120SWH			
Series	Version	Voltage	CCTs	Trim Color	Baffle
DLR4	607 (v6.0, 700 Lm)	120 (120VAC)	S (Select) (27/30/35/40/50K)	WH (White)	Blank (Smooth)
DLR56	609 (v6.0, 900 Lm)		3K (3000K)		BF (Baffle)
	612 (v6.0, 1200 Lm)				



Specifications and dimensions subject to change without notice.

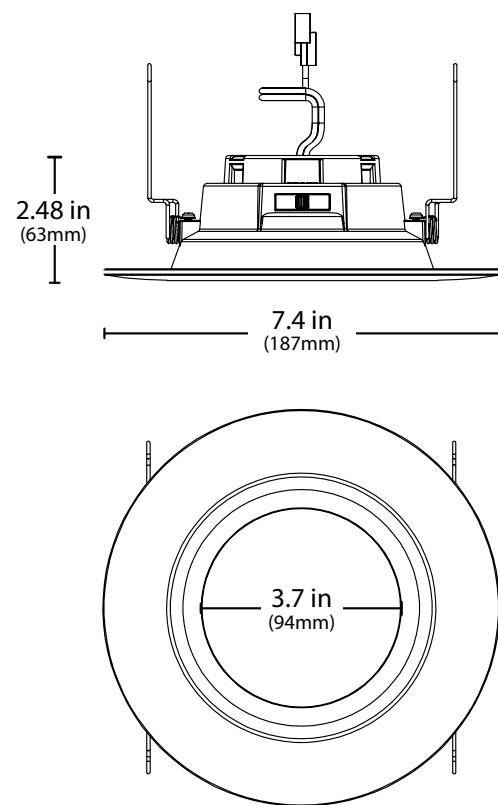


DLRv6P

Recessed LED Downlight

The DLRv6P is the newest generation of NICOR retrofit downlights, available in Selectable CCT models. Designed for both new construction and retrofit applications, the polymer trimmed DLRv6P fits standard 5"/6" housings in addition to NICOR's patented DLR56-FRAME to offer an energy-efficient and cost-effective solution. With an impressive light output quality exceeding 95 CRI, and an R9 value greater than 75, the DLRv6P produces superior color rendering and efficiency. The Selectable CCT feature allows you to set the color temperature to match the environment, perfect for single and multifamily applications.

Dimensions



FEATURES

Superior Light Quality

High-quality lighting at 95 CRI with an impressive R9 value over 75 to ensure true color rendering in any environment

Construction

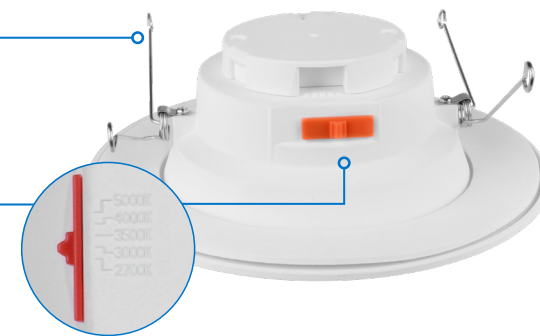
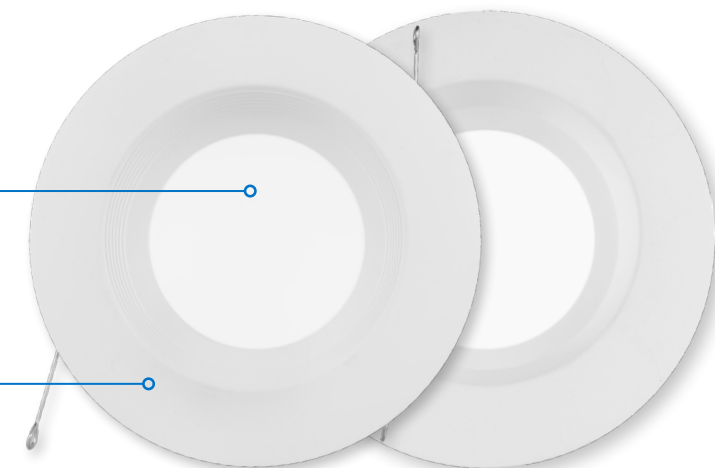
Durable anti-rust polymer body for corrosion resistance, reduced weight, low-maintenance, and improved efficiency

Easy Installation

Fits standard 5" & 6" housings with a torsion spring mounting system for straightforward installation

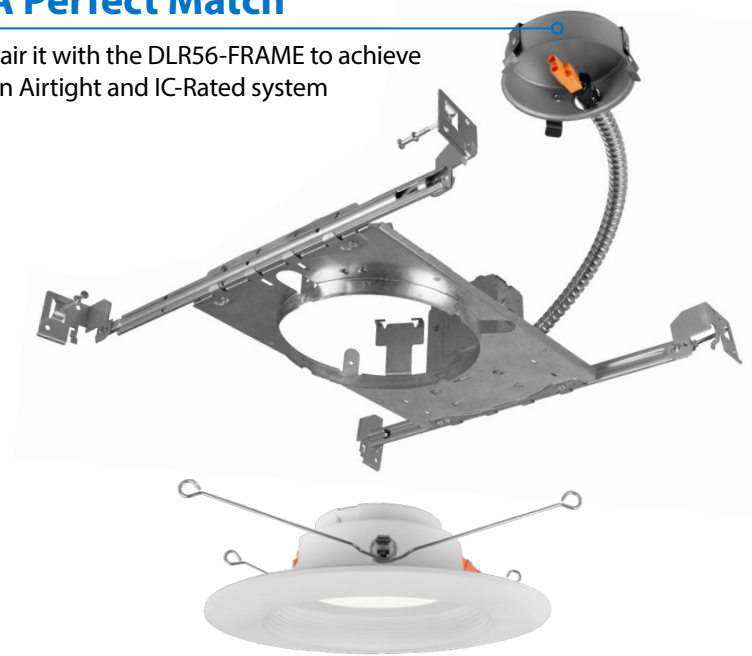
Selectable CCTs

Easily adjust the color temperature from warm white (2700K) to daylight (5000K) or any setting in-between



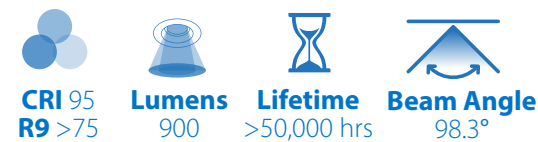
A Perfect Match

Pair it with the DLR56-FRAME to achieve an Airtight and IC-Rated system



Optional Adapters Available

For retrofit installations into older recessed housings, pick up a socket string adapter for a seamless connection



Accessories (sold separately)

DLR56 New Construction Frame	zz56-FRAME
Edison Base (E26) Socket String	E26-ID-SKT-4IN
GU24 to IDEAL Socket String	GU24-IDEAL-SKT-STR

Recommended Dimmers*

Lutron Skylark SCL-153P
Lutron DIVA DVELV-303P
LEVITON C22-06672-1LW

* Not a complete list. Check compatibility before installation.

Ordering Information						Example: DLR566P120SWHBF
Series	Version	Voltage	CCTs	Trim Color	Baffle	
DLR56 (5" & 6")	6P	120	S (Select) (27K/30K/35K/40K/50K)	WH (White)	Blank (Smooth) BF (Baffle)	

Specifications and dimensions subject to change without notice. Please refer to the website for the most up-to-date information.

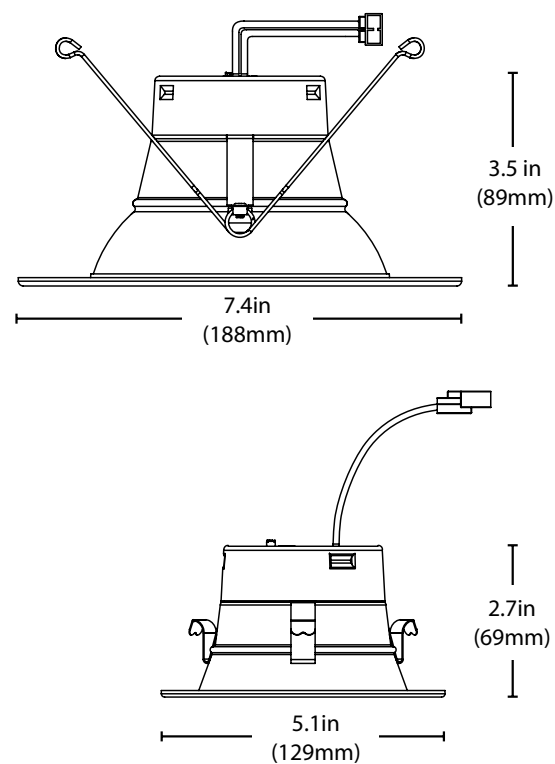


DLRv7

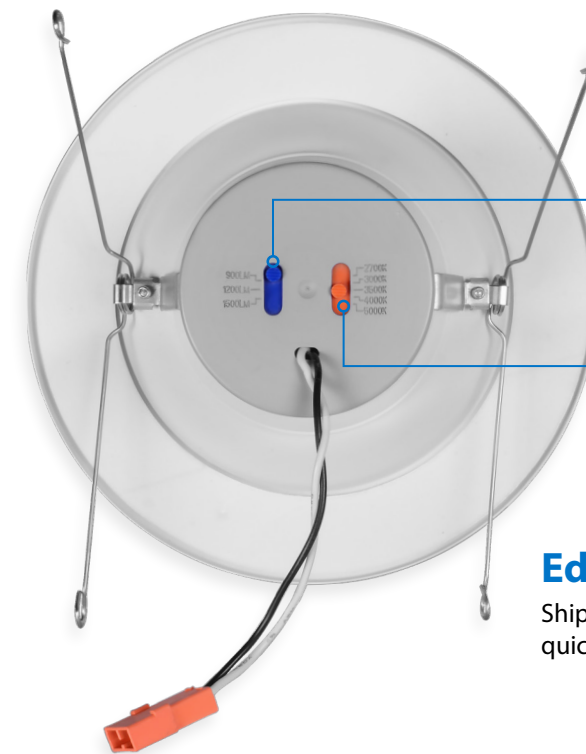
Recessed LED Downlight

The DLR7 is the newest generation of NICOR retrofit downlight, now with selectable lumen output. DLR7 comes in 4" or 5"/6". It is a recessed LED downlight that is ideal for new construction using standard housings. The patented new construction frame, or as a retrofit into most 4", 5" or 6" housings. Improved to meet the newest certification standards, the DLR series is over 105 LPW, 90+ CRI and R9 greater than 50. With two micro-switches on the driver cap, the DLR Select offers the ability to adjust the CCT and lumen output. The DLR7 downlight combined with the frame, provides the lowest overall system cost for energy efficient, versatile, high quality lighting.

Dimensions



FEATURES

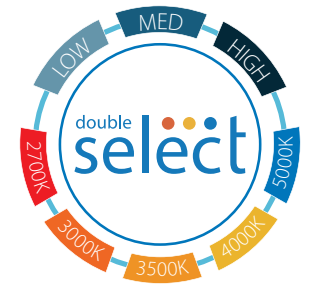


Selectable Wattages

09S (600/750/900 lm)
15S (900/1200/1500 lm)

Selectable CCTs

(27/30/35/40/50K)



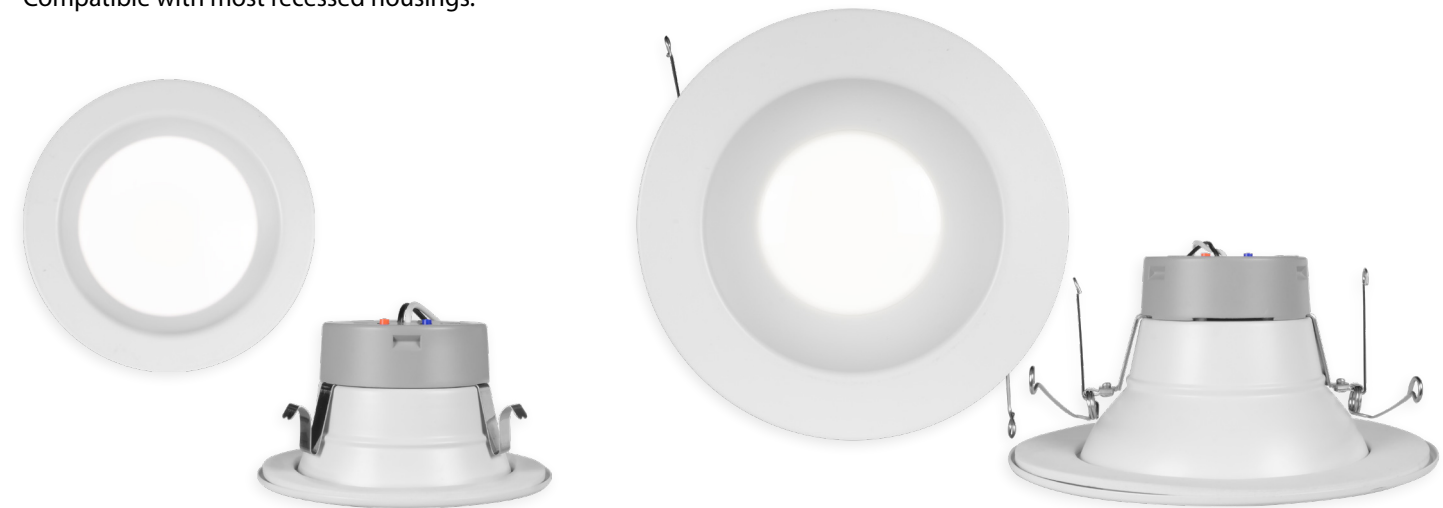
Edison Base Socket String

Ships with Edison base socket string for quick retrofit installation.



Size Compatibility

Compatible with most recessed housings.



4"
Friction fit arms on 4" fixture.

5/6"
Fully captured V-springs on 6" fixture.

Ordering Information							Example: DLR4709S120S9WH
Series	Version	Selectable Wattage	Voltage	Selectable CCT	CRI	Trim Color	Baffle
DLR4	7	09S (600/750/900 lm)	120 (120VAC)	S (27/30/35/40/50K)	9 (>90)	WH (White)	_Blank
DLR56		15S (900/1200/1500 lm)					BF (Baffle)

Specifications and dimensions subject to change without notice. Please refer to the website for the most up-to-date information.

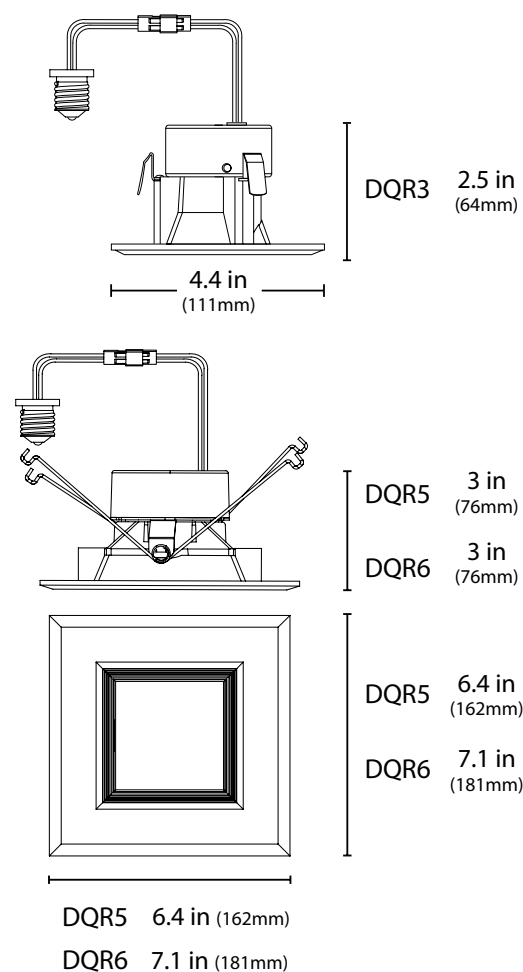


DQR

Square Recessed LED Downlight

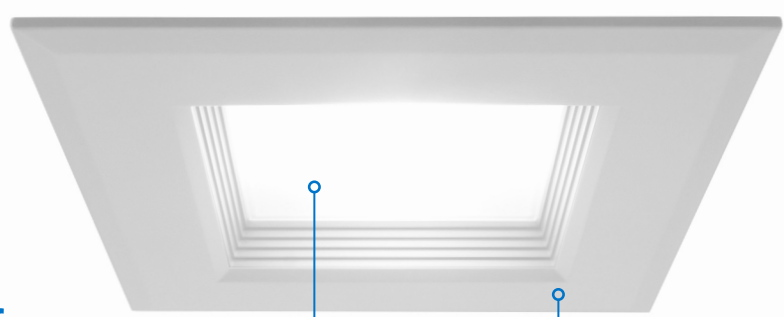
The DQR is everything you love about NICOR's recessed downlighting family with the added design aesthetic of a square trim. Compatible with most 3"-6" recessed housings, this luminaire delivers incredible color accuracy with 90+ CRI and flexible dimming capabilities. Designed to boost energy efficiency, the LED light engine draws only 8-14.5 watts while achieving a light output of up to 1200 lumens. The DQR is an ideal commercial, retail, institutional, or residential downlight choice for retrofit or new construction.

Dimensions



FEATURES

Aesthetic Square Trim



Polystyrene Diffuser

Polystyrene diffuser creates uniform light distribution that reduces glare without sacrificing lumen output.

White Powder Coat Finish

Exterior white powder coat finish, with interior high reflective finish

Edison Base Socket String

Ships with Edison base socket string for retrofit installation



Integrated Driver

Low profile integrated driver allows the use of shallow housings

Trim

Die cast aluminum square trim routes heat away from electrical components



CRI 90+ R9 >50

Lumens 500-1000+

Lifetime >50000 hrs

Beam Angle 83°-97°

Recommended Dimmers*
Lutron DIVA DVVELV-300P
Lutron DIVA DVVELV-303P
Lutron Skylark SELV-300P
Cooper 9530

Model	Housing Compatibility*
DQR3	13200A-LED 3" LED IC AIRTIGHT NEW CONSTRUCTION HOUSING
	13201AR-LED 3" LED IC AIRTIGHT REMODEL HOUSING
<i>Most Standard 3" Recessed Housings</i>	
DQR5	15006A 5" IC AIRTIGHT HOUSING
<i>Most Standard 5" Recessed Housings</i>	
DQR6	17014A-LED-ID 6" LED IC AIRTIGHT NEW CONST. HOUSING
	17014AR-LED-ID 6" LED IC AIRTIGHT REMODEL HOUSING
<i>Most Standard 6" Recessed Housings</i>	

Ordering Information		Example: DLQ4-10-120-3K-WH-BF		
Series	Version	Voltage	CCTs	Trim Color
DQR3	10 (v1.0)	120	2K (2700K)	WH-BF (White Baffle)
DQR5			3K (3000K)	BK-BF (Black Baffle)*
DQR6			4K (4000K)	NK-BF (Nickle Baffle)*
				OB-BF (Oil-Rubbed Bronze Baffle)*

*Not a complete list. Check compatibility before installation

*Only available as special order. Contact NICOR for more info. Specifications and dimensions subject to change without notice.

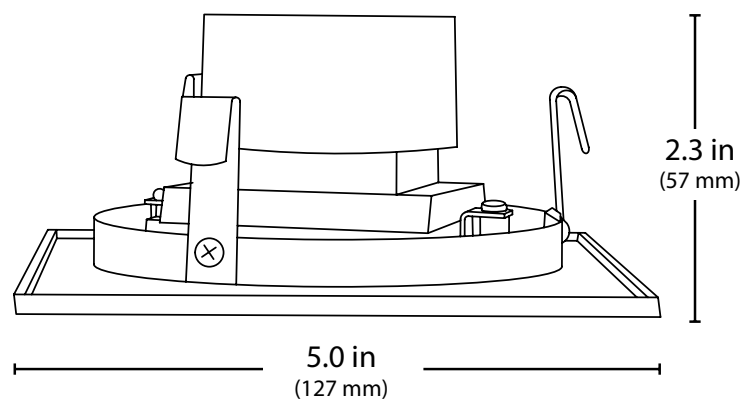


DQR4MA

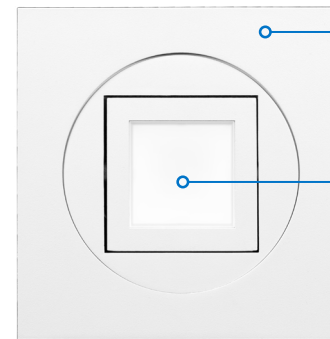
Square Recessed Adjustable LED Downlight

The DQR4MA multi-adjustable series is a modern, square architectural solution for both new construction and retrofit lighting of residential, commercial, and retail spaces. This multi-adjustable downlight can be fully rotated (359°) and pivoted ($\pm 30^\circ$), making it a very flexible option for wall wash and sloped ceilings. For precise aiming, the DQR4MA is easily adjusted from below the ceiling. The use of high efficiency LED technology to balance color for natural white light, exceptional color rendering of greater than 90 CRI, and high efficacy make this luminaire an ideal choice for homes, showrooms, conference rooms, corridors, and other commercial spaces.

Dimensions



FEATURES



Finish

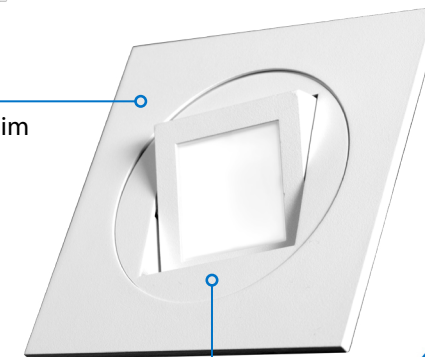
Matte white powder coat finish

Polystyrene Diffuser

Polystyrene diffuser creates uniform light distribution that reduces glare without sacrificing lumen output.

Trim

Die cast aluminum, square trim



Fixture Adjustments

Manual tilt of $\pm 30^\circ$ and rotation up to 359°

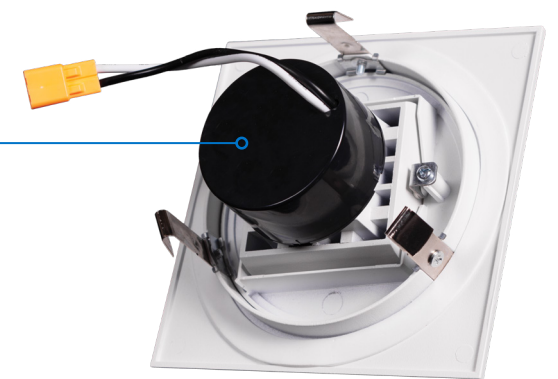


Edison Base Socket String

Ships with Edison base socket string for retrofit installation

Integrated Driver

Low profile integrated drivers allow the use of shallow housings



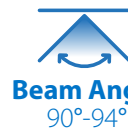
CRI 90+
R9 >50



Lumens
650+



Lifetime
>36000 hrs



Beam Angle
90°-94°

Performance Data			
Model Number	Lumens	Watts	Lumens/Watt
DQR4MA11202K	669	8.9	75.2
DQR4MA11203K	688	8.9	77.3
DQR4MA11204K	706	8.9	79.3
DQR4MA11205K	721	8.9	81.0

Ordering Information				
Series	Version	Voltage	CCTs	Trim
DQR4MA	1	120	2K (2700K)	WH (White)
			3K (3000K)	
			4K (4000K)	
			5K (5000K)	

Example: DQR4MA11203KWH

Housing Compatibility*	
19000A-LED-ID	4" LED IC AIRTIGHT NEW CONSTRUCTION HOUSING
19001AR-LED-ID	4" LED IC AIRTIGHT REMODEL HOUSING MOST STANDARD 4" RECESSED HOUSINGS

*Not a complete list. Check compatibility before installation

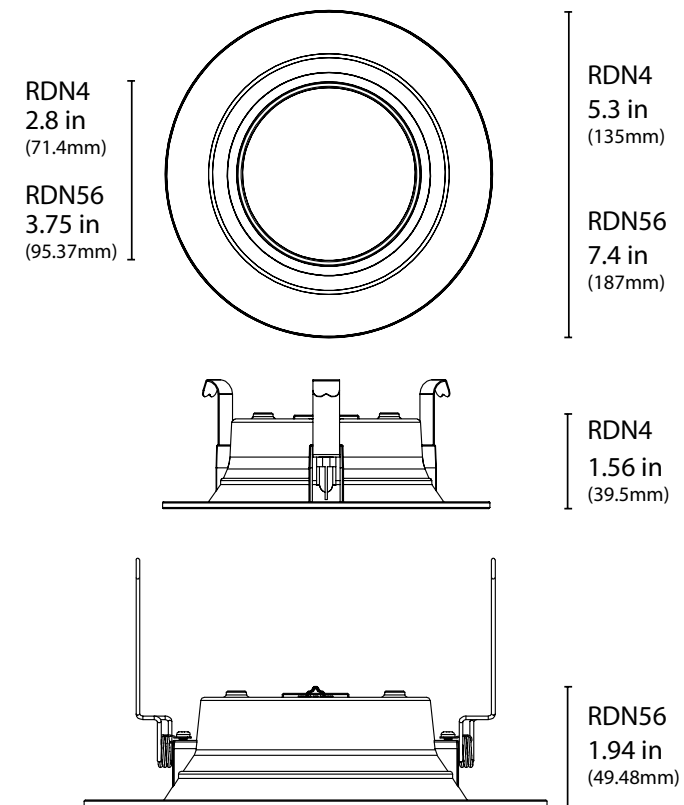


RDN

Recessed LED Downlight with Nightlight

The NICOR RDN Series Retrofit LED Downlight features a new and unique nightlight feature, designed to provide warm ambient light at 2000K to enhance any room. Crafted from durable polymer, this sleek downlight combines modern aesthetics with energy efficiency. The main feature is its dual functionality: bright, crisp lighting for everyday use and a gentle nightlight mode for those quiet evenings. With a simple switch, transition from full brightness to a warm, soothing glow that provides just the right amount of illumination for nighttime navigation without disturbing your sleep. Perfect for bedrooms, hallways, and living areas, this downlight is easy to install and offers long-lasting performance, making it an ideal choice for both residential and commercial settings. Upgrade your lighting and enjoy the perfect blend of style, functionality, and comfort.

Dimensions



FEATURES

Dual Functionality

Bright, crisp lighting with 5 color options for daily use and a soothing 2000K nightlight for ambient warmth.



Easily Switch Modes

Simply turn the light on (Standard), then off and back on within 3 seconds (Nightlight).

Simple Installation

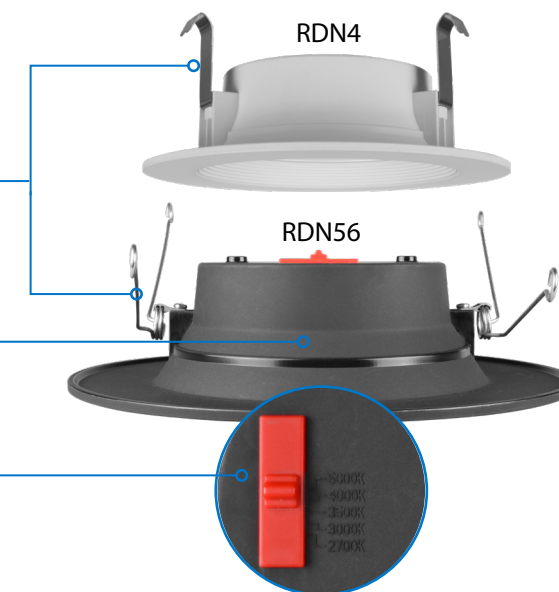
Fully captured V-springs on 5/8" and friction clips on 4" enable straightforward installation.

Durable Design

Made from sturdy polymer for sleek, modern aesthetic & reliability

Selectable CCTs

Standard mode allows for easily adjustable color temperature from warm white (2700K) to daylight (5000K) or any setting in-between.



Ordering Information							Example: RDN561 120S9WHBF
Series	Version	Input Voltage	CCTs	CRI	Finish	Baffle	
RDN4	1	120	S (Select: 27K/30K/35K/40K/50K)	9 (90+)	WH (White)	_Blank (White)	
RDN56					BK (Black)	BF* (Baffle)	

Specifications and dimensions subject to change without notice. Please refer to the website for the most up-to-date information.
*Baffle available in white finish only

Accessories		Recommended Dimmers*	
GU24 to IDEAL Socket String	GU24-IDEAL-SKT-STR	Lutron Skylark SCL-153P	Lutron DIVA DVELV-303P
		LEVITON C22-06672-1LW	

*Not a complete list. Check compatibility before installation



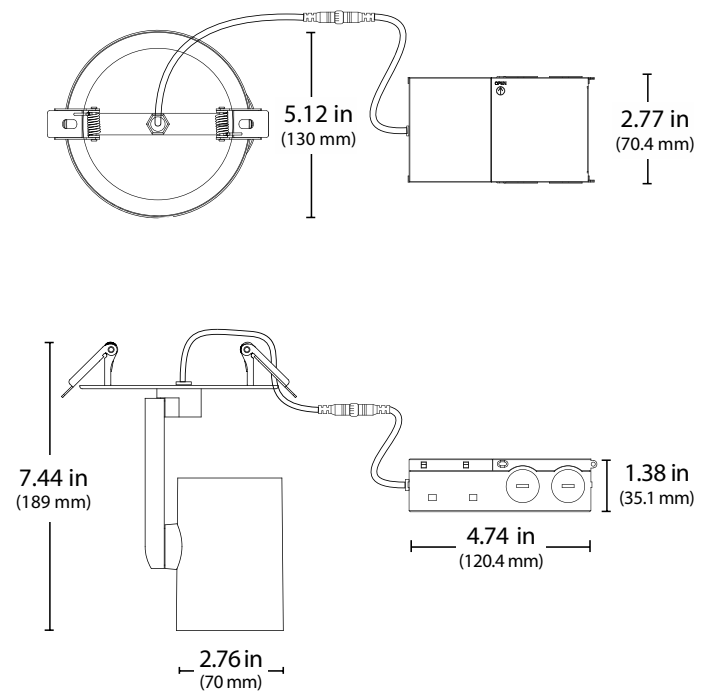


RMP

3" LED Monopoint

The RMP Monopoint offers flexible lighting with a streamlined design eliminating the use of a hardwired track or housing. Selectable wattage and CCT enable a variety of moods and environments to be accommodated such as commercial retail spaces, gallery exhibitions, or residential applications such as hallways or living areas.

Dimensions



FEATURES

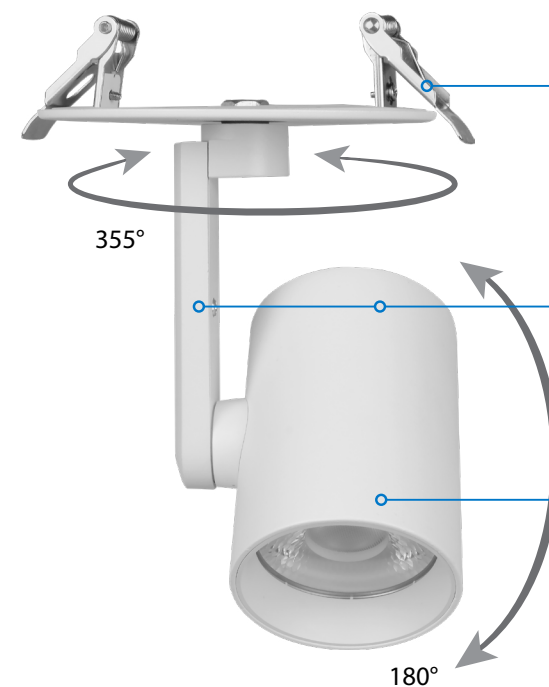
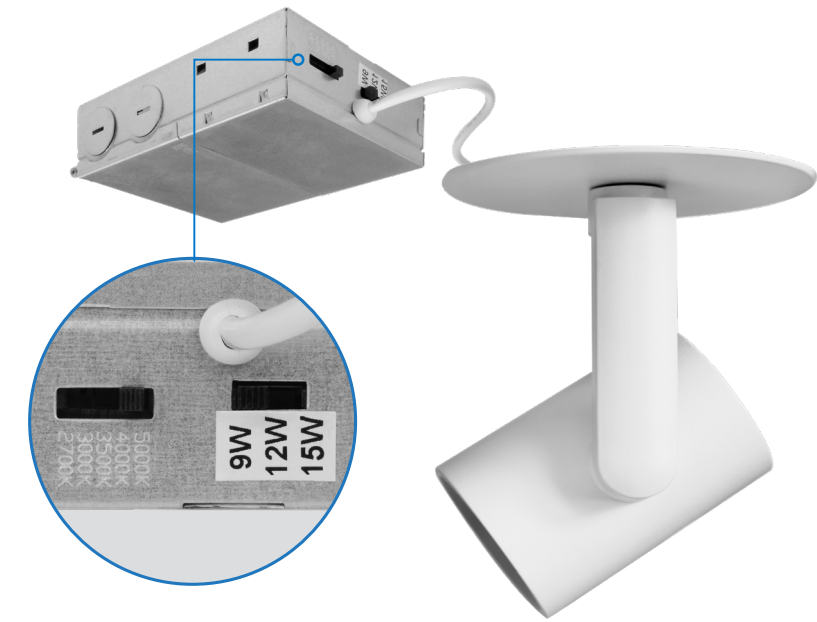
Field-Selectable Wattage & CCT

Built-in switches let you adjust wattage (9W/12W/15W) and color temperature (2700K–5000K) on-site to fit different environments and moods.

Selectable CCTs



Selectable Wattages



Easy, Tool-Free Installation

Spring-loaded tabs allow secure mounting in ceilings up to 3/4" thick—no housing needed.

Flexible Aiming

The fixture stem rotates 355° & the head tilts 180°, providing full directional control.

Built for Reliability

Die-cast aluminum housing and off-board driver improve heat dissipation and extend fixture life.

- CRI >90**
R9 >50
- Lumens**
1230
- Lifetime**
>54,000 hrs
- Beam Angle**
42°
- Dimmable**
10%

Ordering Information										Example: RMP1A3S15S120S942WH		
Series	Version	Body Type	Diameter	Length	Wattage	Input	CCT's	CRI	Beam°	Trim		
RMP	1	A	3	S	15S (9/12/15)	120 VAC	S (2700/3000/3500/4000/5000K)	9 (90)	42	WH (White)		

Specifications and dimensions subject to change without notice. Please refer to the website for the most up-to-date information.

Accessories		Recommended Dimmers*	
3", 4", 6" Rough In Flat Template	ROUGHIN-TEMPLATE-346	Lutron DVCL-153P	Lutron CTCL-153P
		Lutron TGCL-153PH-WH	Leviton 6672

*Not a complete list. Check compatibility before installation.

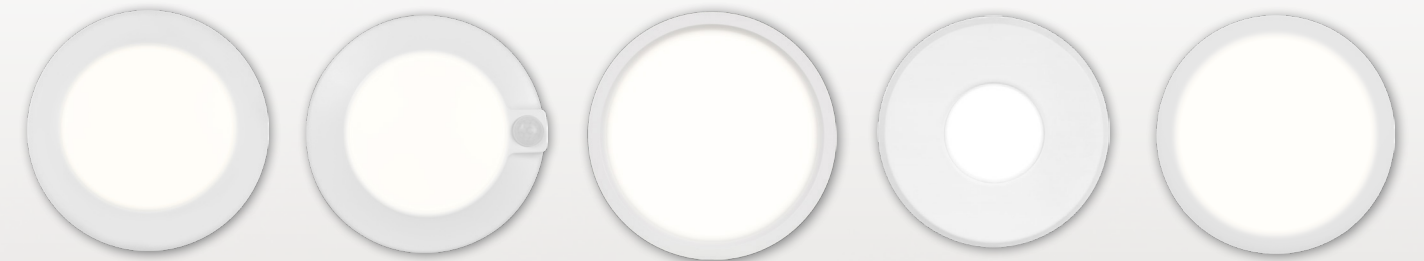




SURFACE-MOUNT

LED Downlight Family

Our Surface-Mount Downlight Series presents an affordable light fixture that's incredibly easy to install. The surface-mount downlights install directly to most 4" pancake, 4" non-metallic, and 4/O junction boxes, eliminating the need for a recessed housing. The matte powder-coat finished body features a UV-stabilized diffuser lens that's built to outlast the competition. The surface-mount downlights are perfect for large spaces, bedrooms, and closets.



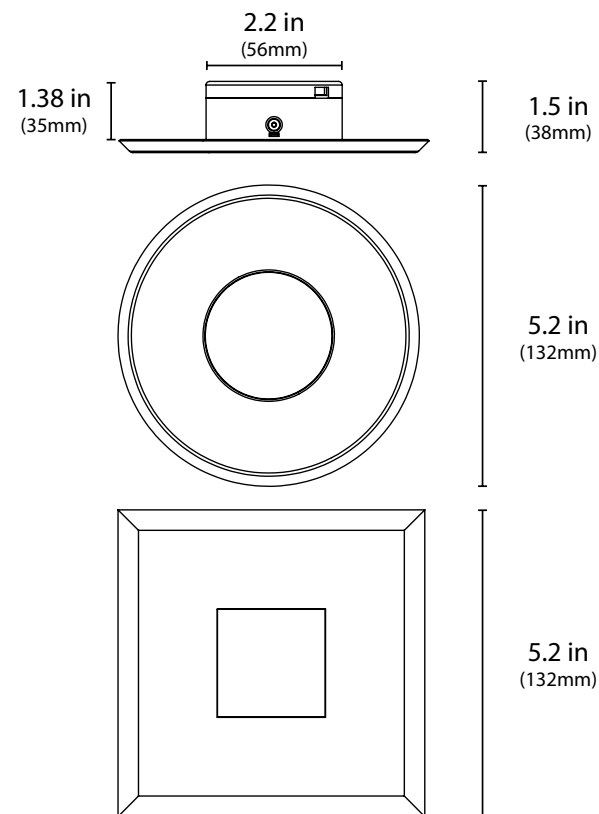


DLFv3 SureFit™

Ultra-Slim LED Surface Mount

The SureFit™ LED Downlight features increased lumen output and efficiency while keeping the same installation compatibility. The DLFv3 will fit most standard 4/O, 4" non-metallic new construction or remodel J-Boxes. Detachable trims offer a seamless finish in both round and square apertures to enhance the visual aesthetic of any residential or light commercial space, including living rooms, bedrooms, home theaters, corridors, offices, retail, and more.

Dimensions



FEATURES

Energy Efficient

Dimmable to less than 5% with most TRIAC dimmers

High-Performance

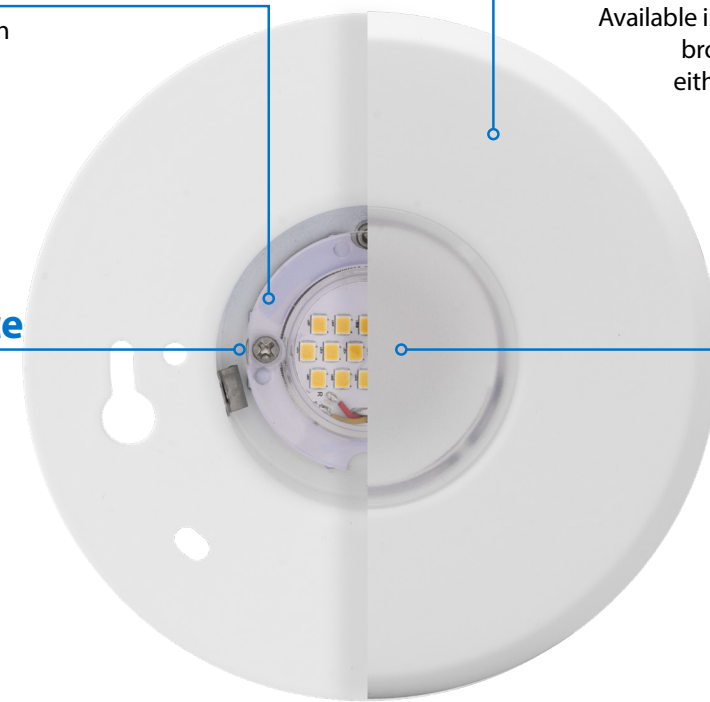
LEDs offer greater than 90 CRI and R9 greater than 50 for true color rendering

Delivers 8 Distinct Styles

Available in black, nickel, and oil-rubbed bronze and paintable white with either a round or square aperture

Uniform Light Distribution

Polystyrene diffuser reduces glare while maximizing lumen output



Tight Spaces Are Effortless for SureFit™ v3



Eight Unique Trim Designs

Black • Nickel • Oil-Rubbed Bronze • White



Ordering Information

Example: DLF301203KWH

Series	Version	Voltage	CCTs	Trim Color
DLF	30 (v3.0)	120 (120V)	3K (3000K)	WH (White)

Recommended Dimmers*

Lutron Diva DVCL-153P
Leviton IPL06
Legrand Adorne SoftTap
Lutron Caseta PD-6WCL
Lutron Skylark SCL-153P

Accessories

Round Nickel Trim
Round Oil-Rubbed Bronze Trim
Round Black Trim
Round White Trim
Square Nickel Trim
Square Oil-Rubbed Bronze Trim
Square Black Trim
Square White Trim

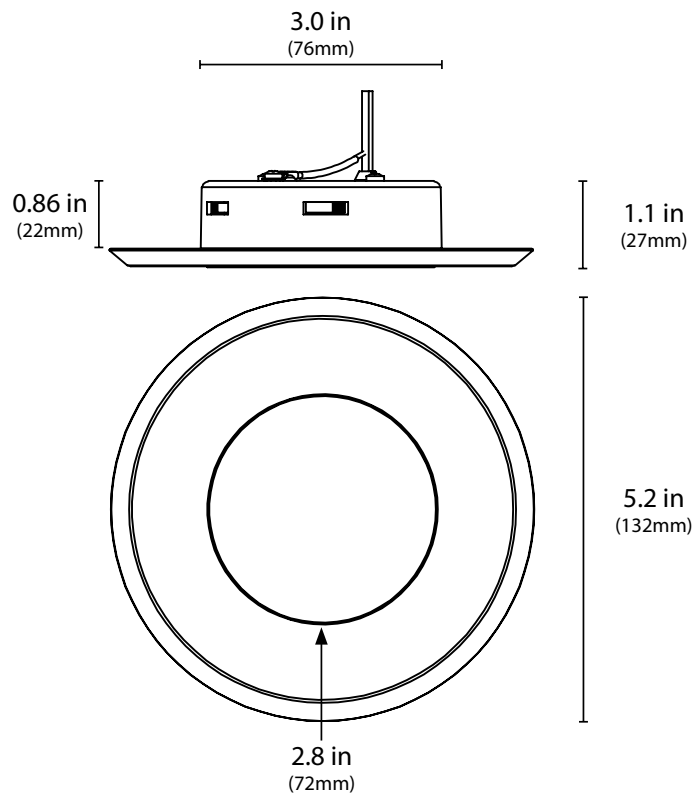
*Not a complete list. Check compatibility before installation

DLFv5 SureFit™

Ultra Slim Surface-Mount LED Downlight

The NICOR SureFit™ Ultra Slim Surface Mount LED Downlight brings selectable lumen output and selectable CCT with an improved design that fits most 4" non-metallic boxes and 4/O metallic boxes simply using two screws. The DLFv5 features magnetic, interchangeable trims available in round, square, and wall wash styles. Each trim is offered in white, black, and oil-rubbed bronze to enhance the visual aesthetic of any living space. The NICOR SureFit™ is the perfect solution for residential and light commercial spaces including living rooms, bedrooms, home theaters, corridors, office, retail, and more.

Dimensions



FEATURES

Selectable Wattage

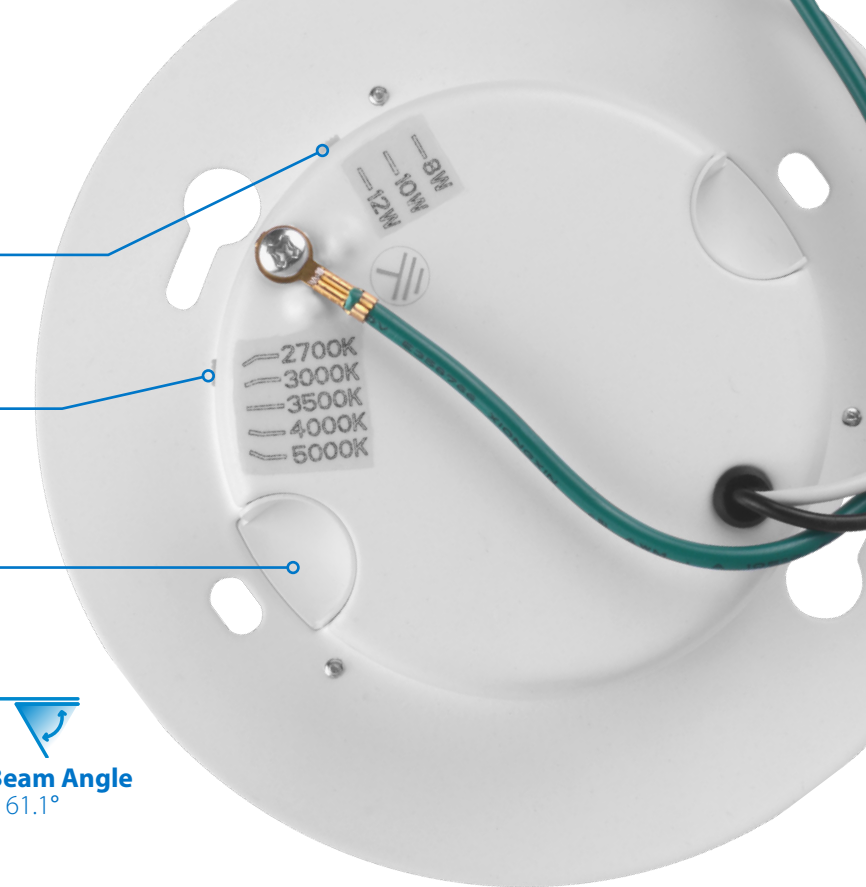
External switch allows easy wattage Selection: 8W, 10W, and 12W

Selectable CCT

External switch allows easy CCT Selection: 2700K, 3000K, 3500K, 4000K, or 5000K

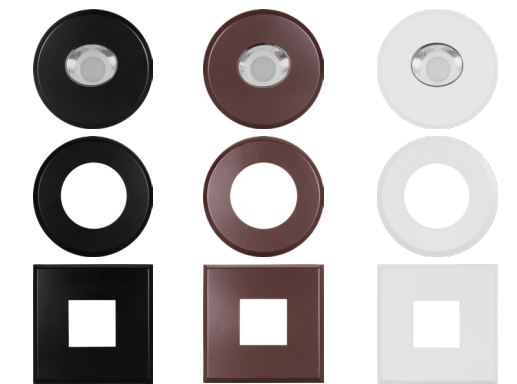
Easy Installation

Fits most 4/O and 4" non-metallic new construction and remodel J-Boxes



Unique Magnetic Trims Available

Round, Square, Wall Wash in Black · Oil-Rubbed Bronze · White



Photometric Data (2700K, 12W)	
Performance Data	DLF5
Input Voltage (VAC)	120V
System Level Power (W)	11.38
Delivered Lumens (Lm)	912
System Efficacy (Lm/W)	80.14
Correlated Color Temp (K)	2676
Color Rendering Index (CRI)	93 R9=57
Beam Angle (θ)	98.3°

Ordering Information						
Series	Version	Wattage	Voltage	CCT's	CRI	Trim Color
DLF	5	S (8/10/12W)	120 (120V)	S (27/30/35/40/5K)	9 (90CRI)	WH (White)

Accessories			
	ROUND	SQUARE	WALL WASH KIT
Black Trim	DLF4-TRIM-RD-BK	DLF4-TRIM-SQ-BK	DLF4-WW-KIT-RD-BK
Oil-Rubbed Bronze Trim	DLF4-TRIM-RD-OB	DLF4-TRIM-SQ-OB	DLF4-WW-KIT-RD-OB
White Trim	DLF4-TRIM-RD-WH	DLF4-TRIM-SQ-WH	DLF4-WW-KIT-RD-WH

Recommended Dimmers*				
Lutron Diva DVCL-153P	Leviton IPL06	Legrand Adorne SofTap	Lutron Caseta PD-6WCL	Lutron Skylark SCL-153P

*Not a complete list. Check compatibility before installation

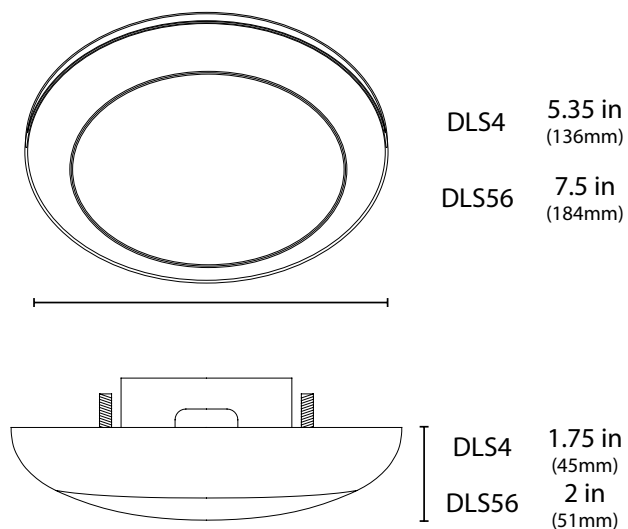


DLS

Recessed/Surface Mount LED Disk Light

The DLS offers easy installation by fastening directly into most any standard 4/O junction box by simply removing the twist lock diffuser and setting your included captive screws. Its versatile design also allows the DLS to fit 4" and 5/6" recessed housings, making it a very flexible solution for both retrofit and new construction. With minimal effort, it adds light to spaces such as hallways, bathrooms, basements, entryways, porches, stairways, work areas, utility closets, and corridors.

Dimensions



FEATURES

Energy Efficient

Dimmable to less than 5% with most TRIAC dimmers

High-Performance

LEDs offer greater than 90 CRI and R9 greater than 50 for true color rendering

Twist Lock Diffuser

Eliminates hot spots with uniform light and allows for easy removal during installation

Quick-Connect

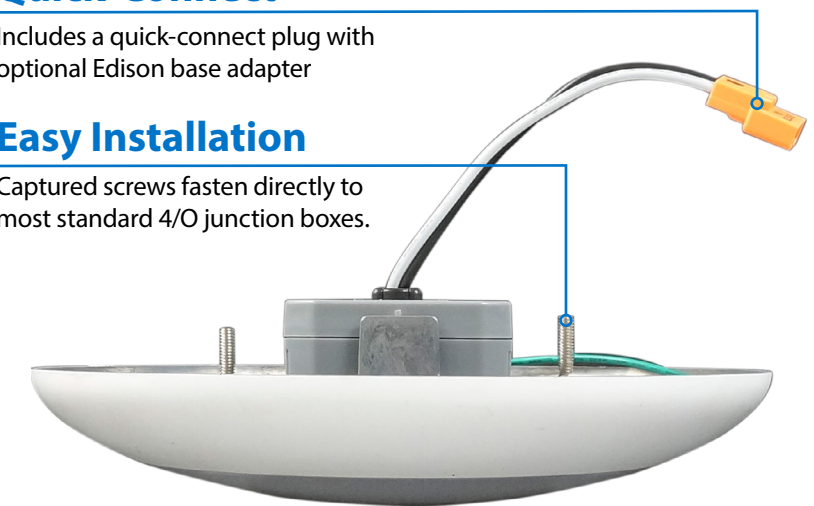
Includes a quick-connect plug with optional Edison base adapter

Easy Installation

Captured screws fasten directly to most standard 4/O junction boxes.



Easily installs into recessed housings
With optional mounting accessories (included)



Ordering Information					Example: DLS4-3006-120-3K-WH
Series	Version/Lumen Output	Voltage	CCTs	Finish	
DLS4 (4")	3006 (v3.0, 600 Lm)	120 (120V)	2K (2700K)	WH (White)	
			3K (3000K)		
			4K (4000K)		

Ordering Information					Example: DLS56-3009-120-3K-WH
Series	Version/Lumen Output	Voltage	CCTs	Finish	
DLS56 (5"/6")	3009 (v3.0, 900 Lm)	120 (120V)	2K (2700K)	WH (White)	
			3K (3000K)		
			4K (4000K)		

Recommended Dimmers*		Accessories	
Lutron DIVA DVELV-300P	Lutron Radio RA RRD-6CL	GU24 Socket String	GU24-IDEAL-SKT-STR
Lutron DIVA DVELV-303P	Cooper 9530		
Lutron Skylark SELV-300P			

*Not a complete list. Check compatibility before installation

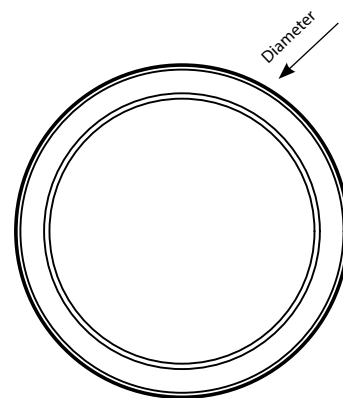


DSE

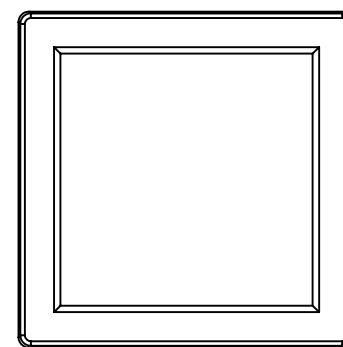
Selectable Edge-Lit Surface Mount

The DSEv3 offers a slim profile in both round and square apertures with CCT selectability. The edge-lit technology uses a reflective light guide panel that disperses light through a diffused lens, making it a practical and economical solution with high performance. Available in a variety of diameters, the DSEv3 brings flexible options with a clean aesthetic and excellent performance to any area of the home.

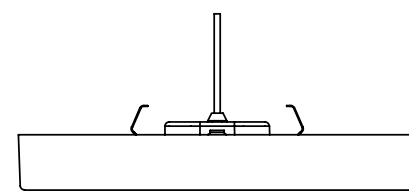
Dimensions



- DSE5 5.35 in (136mm)
- DSE8 7.50 in (191mm)
- DSE9 9.00 in (229mm)
- DSE11 11.0 in (279mm)
- V15 15.0 in (381mm)



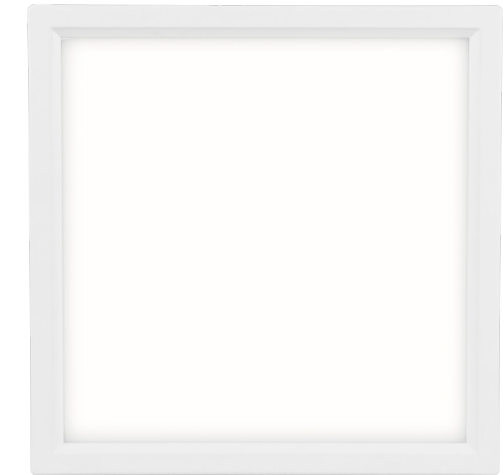
- DSE4 4.35 in (110mm)
- DSE6 6.25 in (159mm)
- DSE9 9.00 in (229mm)



1.00 in (25mm)



FEATURES



Choose Your Style

Available in Round and Square configurations in sizes ranging from 4" to 15" in diameter

5 CCT Selectable

Choose between five different color temperatures ranging from 2700K to 5000K



Easy Installation

Installs into most 4-inch Junction Boxes

Ultra-Slim Profile

Creates a clean aesthetic perfect for low ceilings

Ordering Information							Example: DSE83120SRDWH	
Series	Size	Version	Voltage	CCTs	Trim Shape	Trim Color		
DSE	5 (5 inch)	3	120	S (Selectable)	RD (Round)	WH (White)		
	8 (8 inch)							
	9 (9 inch)							
	11 (11 inch)							
	15 (15 inch)							

Accessories	
(5", 8", 9") Round Black Trim	(4", 6", 9") Square Black Trim
(5", 8", 9") Round Nickel Trim	(4", 6", 9") Square Nickel Trim
(5", 8", 9") Round Oil-Rubbed Bronze Trim	(4", 6", 9") Square Oil-Rubbed Bronze Trim
(11", 15") Pendant Mount	

Ordering Information							Example: DSE63120SSQWH	
Series	Size	Version	Voltage	CCTs	Trim Shape	Trim Color		
DSE	4 (4 inch)	3	120	S (Selectable)	SQ (Square)	WH (White)		
	6 (6 inch)							
	9 (9 inch)							

Recommended Dimmers*	
Lutron Skylark SCL-153P	Lutron Skylark SELV-300P
Lutron Diva DVCL-153P	Lutron Maestro MAELV-600
Lutron DIVA DVELV-300P	

*Not a complete list. Check compatibility before installation

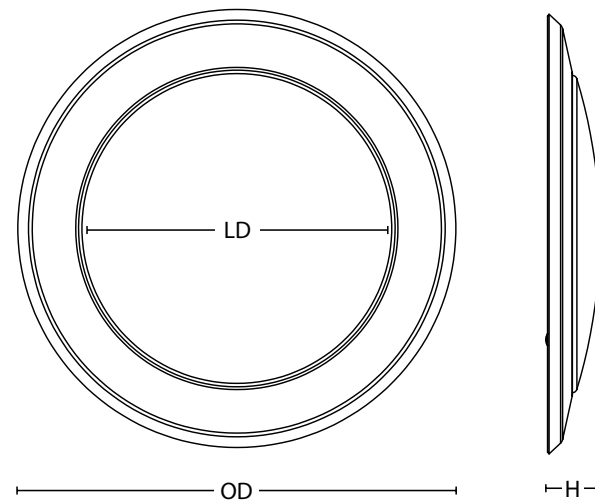


RCD

Selectable LED Low-Profile Disk Light

The RCD Selectable is a Low Profile Surface Mount Downlight, a sleek and low-profile lighting solution meticulously crafted for seamless integration into the most confined spaces. Designed with a low profile, this downlight offers a thin installation profile, ensuring a discreet yet powerful lighting presence. Simplifying the installation process is our innovative twist lock diffuser, allowing for effortless removal during installation. The direct box mount guarantees a flush fit to the ceiling, delivering a polished and professional aesthetic. The versatility of this downlight is further enhanced by its CCT Selectable feature, offering a range of color temperatures (2700/3000/3500/4000/5000K) via switch, enabling you to customize the lighting ambiance to your preference. Economical and practical, each pack includes 24 units, making it an efficient choice for both residential and commercial lighting projects. Illuminate your space with the RCD Downlight, a perfect blend of functionality and style.

Dimensions



	Outer Diameter (OD)	Lens Diameter (LD)	Height (H)
RCD4	5.9" (149mm)	3.9" (99mm)	0.87" (22mm)
RCD6	7.2" (183mm)	5.2" (132mm)	0.87" (22mm)

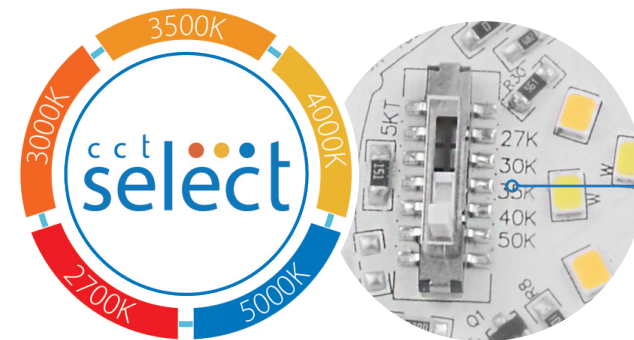


FEATURES



Optical

Convex diffuser creates uniform light distribution while reducing glare



CCT Selectable

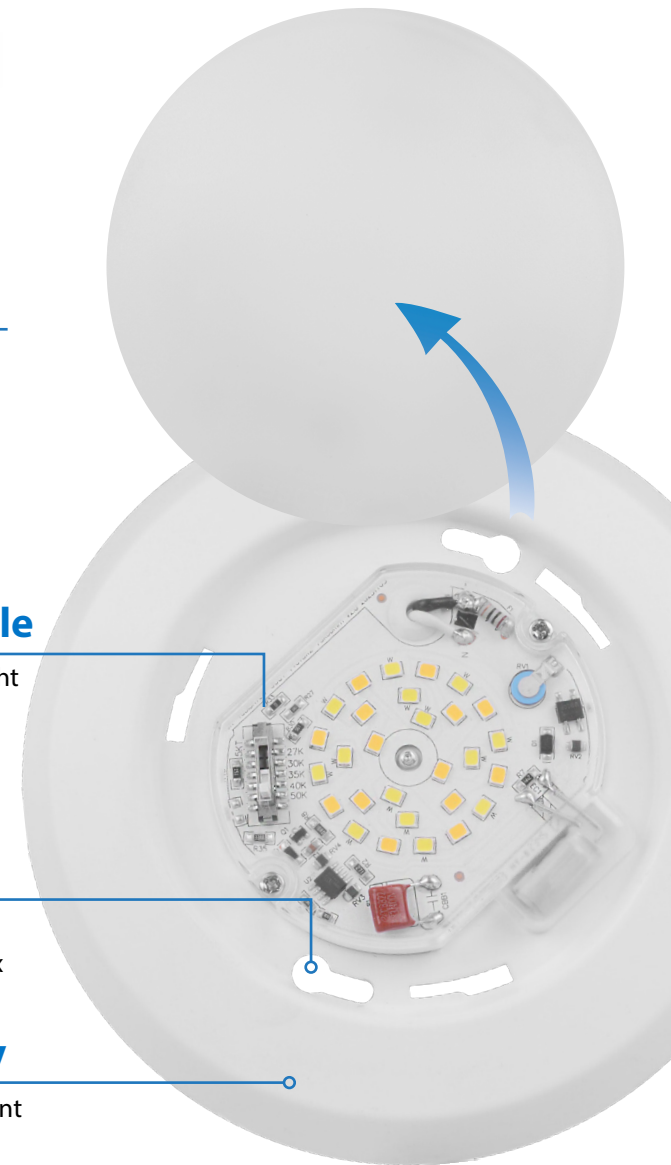
From warm to cool light output, or anything in between

Installation

Keyhole mounting slots for quick installation into any 4" junction box

Stamped Metal Body

Provides excellent heat management with a clean aesthetic



- CRI 94 R9 >50
- Lumens 600-900+
- Lifetime >60000 hrs
- Beam Angle 112°

Ordering Information						Example: RCD61120S9WH	
Series	Version	Voltage	CCTs	CRI	Trim Color		
RCD4	1	120	S (2700/3000/3500/4000/5000K)	9	WH (White)		
RCD6							

Recommended Dimmers*
Lutron Diva DVCL-153P

*Not a complete list. Check compatibility before installation

Housing Compatibility*	
RCD4 (4" DOWNLIGHT)	STANDARD 4" METALLIC AND NON-METALLIC JUNCTION BOXES
RCD6 (6" DOWNLIGHT)	STANDARD 3" AND 4" METALLIC AND NON-METALLIC JUNCTION BOXES

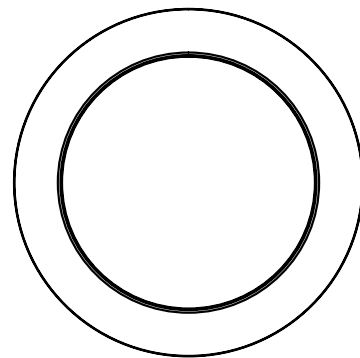


RSD

LED Disk Light

The RSD offers a thin installation solution designed to fit tight spaces. Installation is easier than ever with the twist lock diffuser that can be removed during installation. The direct box mount ensures it sits flush to the ceiling for a clean and professional look. Available in your choice of 2700K, 3000K, 4000K, or 5000K CCT depending on your desired light temperature. Perfect for providing uniform illumination to any area of your home.

Dimensions



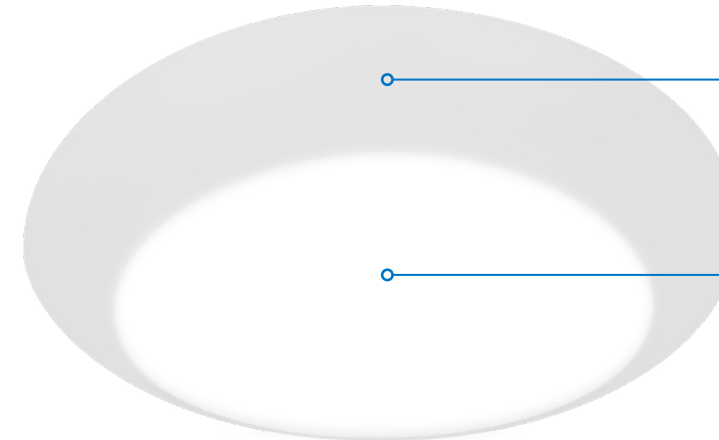
- RSD4 6.2 in (157mm)
- RSD6 7.4 in (188mm)
- RSD8 9.4 in (240mm)



- RSD4 1.2 in (31mm)
- RSD6 1.3 in (34mm)
- RSD8 1.3 in (34mm)



FEATURES



Weather-Proof Finish

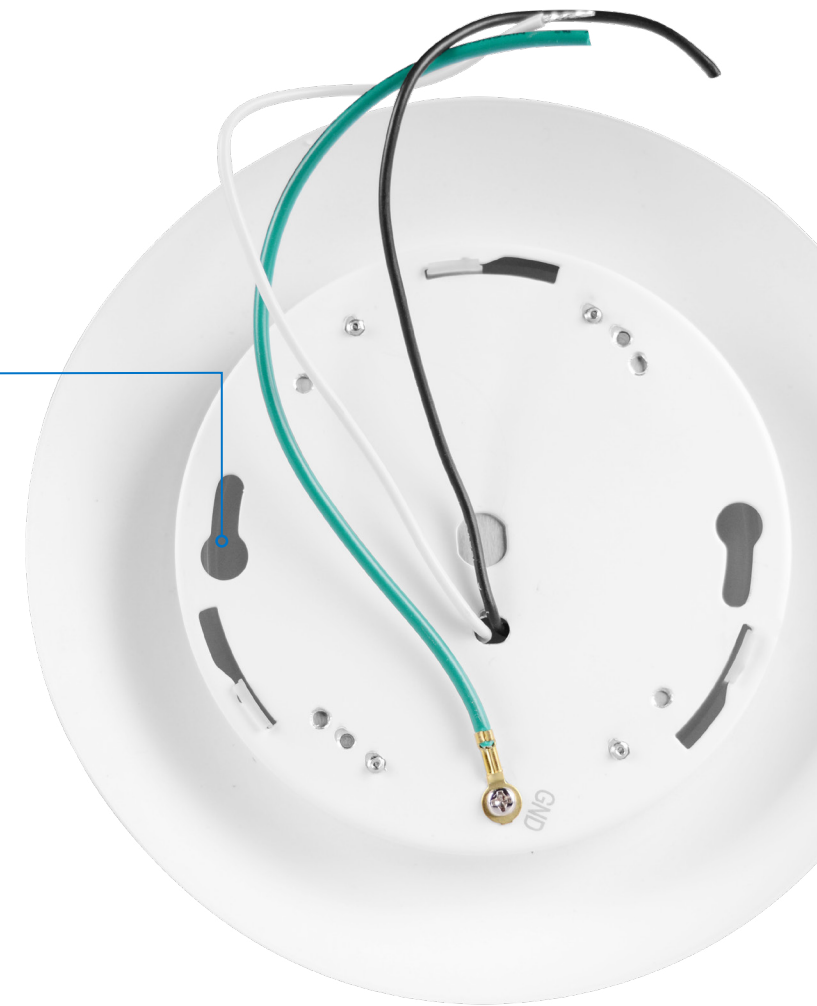
Powder coat finish protects against rust and other corrosion

Molded Polymer Diffuser

UV stabilized diffuser maximizes light output and distribution while reducing glare

Easy Installation

Keyhole mounting slots allow for a quick installation in any 4" pancake, 4" non-metallic, and 4/O junction box



- CRI 90+
R9 >50
- Lumens
600-1100+
- Lifetime
>54000 hrs
- Beam Angle
112°-121°

Ordering Information					Example: RSD611203KWH
Series	Version	Voltage	CCTs	Trim Color	
RSD4	1	120	2K (2700K)	WH (White)	
RSD6			3K (3000K)		
RSD8			4K (4000K)		
			5K (5000K)		

Recommended Dimmers*	
Lutron Diva DVCL-153P	Leviton IPL06
Lutron Maestro MACL-153M	Lutron DIVA DVELV-300P
Eaton Cooper SLC03P	

Housing Compatibility*
Most Standard 4" Non-Metallic or 4/O Junction Boxes

*Not a complete list. Check compatibility before installation

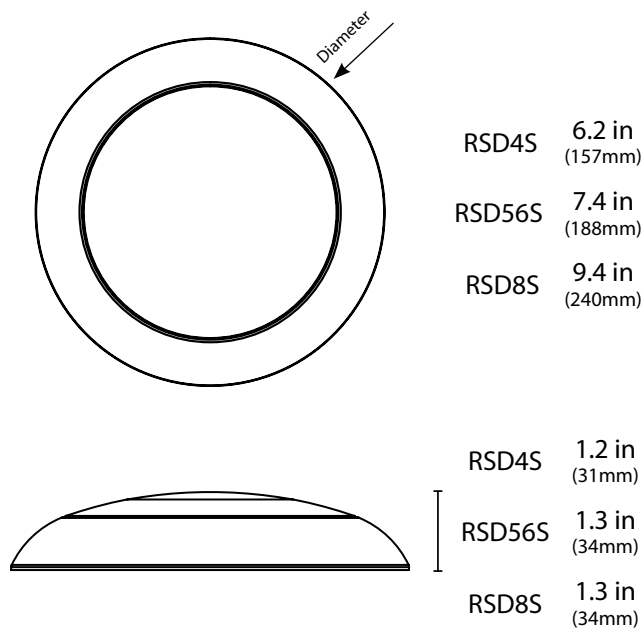


RSDS

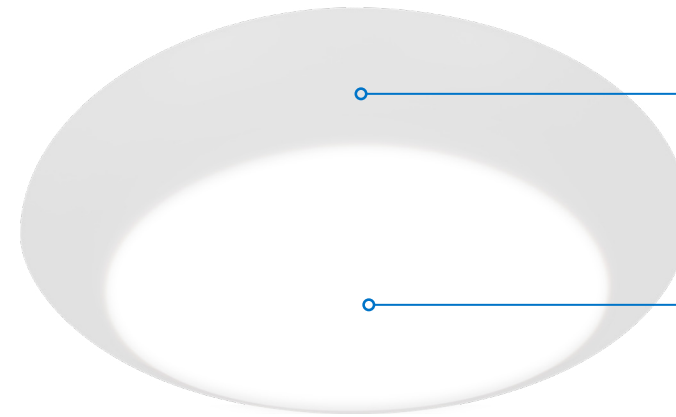
Selectable LED Disk Light

The RSDS offers five CCT selectability allowing for desired light temperatures. With a thin solution designed to fit tight spaces, installation is easier than ever with the twist lock diffuser that can be removed during installation. The direct box mount ensures it sits flush to the ceiling for a clean and professional look.

Dimensions



FEATURES



Weather-Proof Finish

Powder coat finish protects against rust and other corrosion

Dimmable

Dimmable to 5% with compatible TRIAC and ELV dimmers

- CRI 90+ R9 >50**
- Lumens 600-1100+**
- Lifetime >54000 hrs**
- Beam Angle 111°-113°**



Select the Perfect Light

NICOR offers selectable CCTs allowing you to set the color temperature that matches your environment. Choose a low CCT for a warm light output, a high CCT for a cool light output, or any CCT in between.



Ordering Information					Example: RSD561120SWH	
Series	Version	Voltage	CCTs	Trim Color		
RSD4	1	120	S (Selectable)	WH (White)		
RSD56				BK (Black)		
RSD8				NK (Nickel)		
				OB (Bronze)		

Recommended Dimmers*	
Lutron Diva DVCL-153P	Leviton IPL06
Lutron Maestro MACL-153M	Lutron DIVA DVELV-300P
Eaton Cooper SLC03P	

Housing Compatibility*
Most Standard 4" Non-Metallic or 4/O Junction Boxes

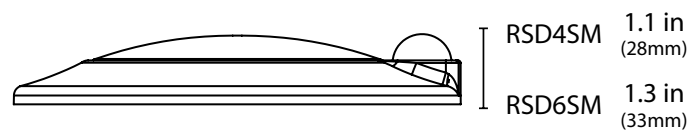
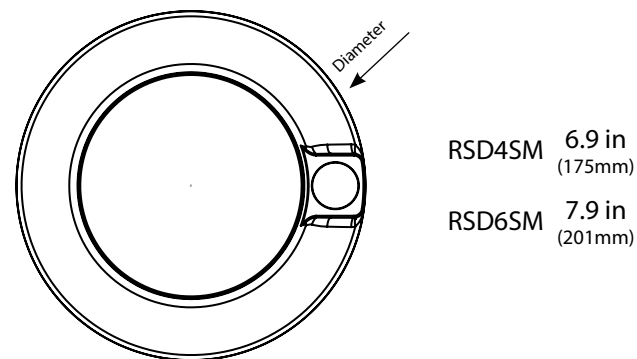
*Not a complete list. Check compatibility before installation

RSDS-M

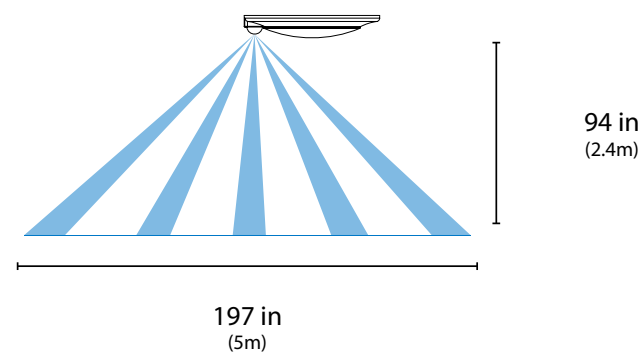
Selectable LED Disk Light with Integrated Sensor

The RSDS-M offers three CCT selectability and is designed with the PIR Motion Sensor offering automatic on/off control. With a thin solution designed to fit tight spaces, installation is easier than ever with the twist lock diffuser that can be removed during installation. The direct box mount ensures it sits flush to the ceiling for a clean and professional look. Perfect for providing uniform illumination with automatic controls to closets, pantries, and similar areas.

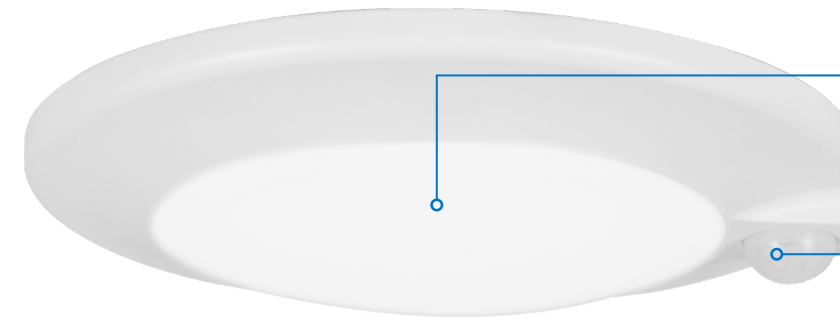
Dimensions



Sensor Detection Range



FEATURES



Twist and Lock Diffuser

Removable diffuser allows for easy installation in any 4" pancake, 4" non-metallic, and 4/O junction box

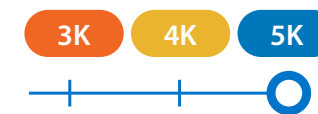
PIR Motion Sensor

Integrated motion sensor turns on when detecting movement and off after 30 seconds of vacancy

- CRI 90+ R9 >50**
- Lumens 600-800+**
- Lifetime >54000 hrs**
- Beam Angle 109°-113°**

Select the Perfect Light

NICOR offers selectable CCTs allowing you to set the color temperature that matches your environment. Choose between 3000K, 4000K and 5000K.



Ordering Information						Example: RSD61120SWHM		Recommended Dimmers*	
Series	Version	Voltage	CCTs	Trim Color	Sensor				
RSD4	1	120	S (Selectable)	WH (White)	M (PIR Sensor)			Lutron Diva DVCL-153P	Leviton IPL06
RSD6								Lutron Maestro MACL-153M	Lutron DIVA DVELV-300P
								Eaton Cooper SLC03P	

Housing Compatibility*

Most 4" Pancake, 4" Non-Metallic, or 4/O Junction boxes

*Not a complete list. Check compatibility before installation

CANLESS

LED Downlight Family

Our Canless Series offers a clean and attractive visual aesthetic with a low profile that's incredibly easy to install. The edge-lit technology allows for an ultra-thin fixture for more flexible installation and increased lifespan through superior heat management. Each canless downlight features adjustable spring-loaded retention tabs for a secure installation, eliminating the need for a J-box or recessed housing. Adding light in tight spaces such as living rooms, hallways and bathrooms just got easier.

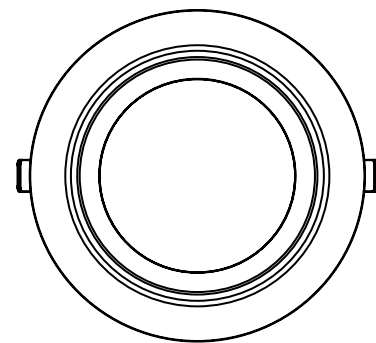


CLR-Select

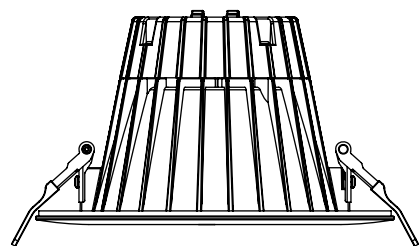
Commercial Recessed LED Downlight

Designed for both new construction and retrofit applications, the CLR Select series can be installed directly into drywall, a ceiling grid, or an existing 6" or 8" mounting frame using spring-loaded retention tabs. The CCT and output selectable design allows for easy adjustment to 3000, 3500, 4000, or 5000K and standard or high output. The versatility of this light source is perfect for commercial applications, such as educational, governmental, retail and grocery, office, or hospitality lighting.

Dimensions



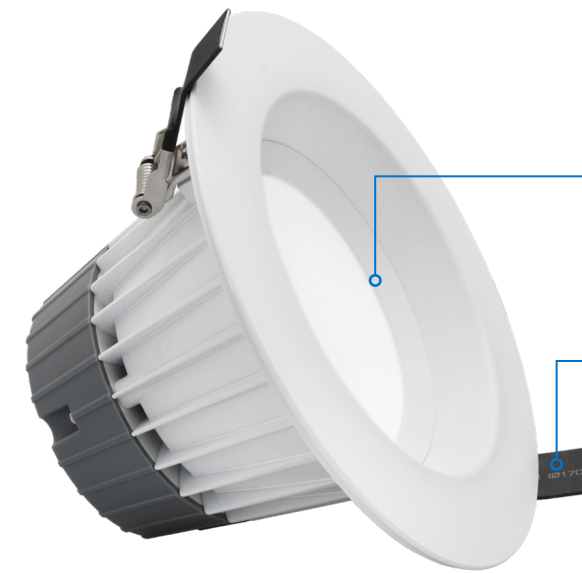
CLR6	7.4 in (188mm)
CLR8S	9.5 in (240mm)
CLR8H	9.5 in (240mm)



CLR6	4.5 in (114mm)
CLR8S	5.2 in (132mm)
CLR8H	5.6 in (143mm)



FEATURES



Performance

Provides cool operation without emitting UV or heat

Easy Installation

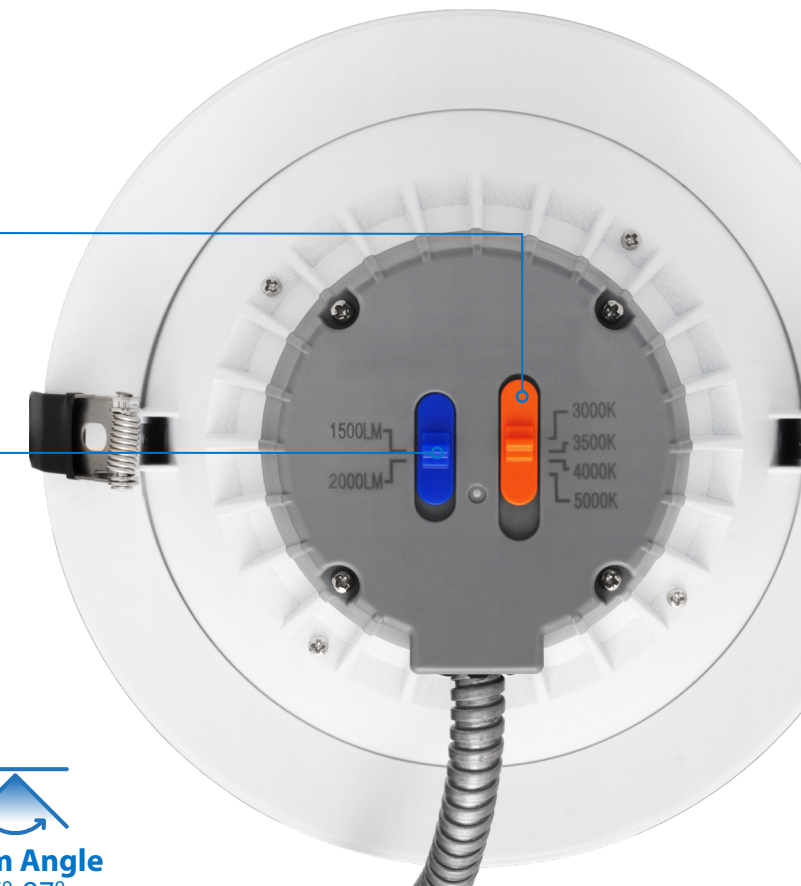
Spring-loaded retention tabs and built-in LED Driver is a breeze to install with no housing or frame required

Selectable CCT

External switch allows easy CCT selection: 3000K, 3500K, 4000K, or 5000K

Selectable Lumens

External switch allows easy output selection: 1000LM & 1500LM for 6", 1500LM & 2000LM for 8" Standard, 2000LM & 3000LM for 8" High Output



Ordering Information

Example: CLR62SWRVS9WH

Series	Diameter	Version	Output	Voltage	CCT	CRI	Color
CLR	6 (6 inches)	2	S (Standard)	WRV (120-347V)	S (Selectable)	9 (90 CRI)	WH (White)
	8 (8 inches)		H (High Output)*				

*High Output only available on CLR8

Recommended Dimmers*

Lutron NTSTV-DV-WH	Legrand RH4FBL3PW
Lutron DVSTV	Cooper SF10P

*Not a complete list. Check compatibility before installation

Accessories

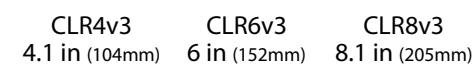
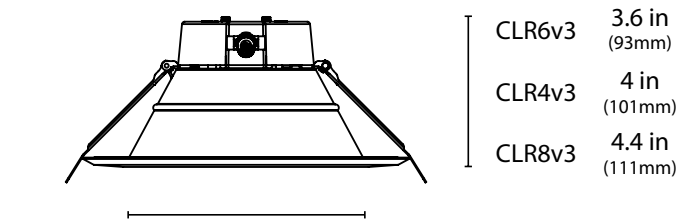
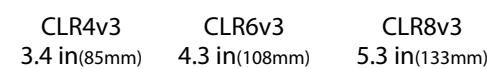
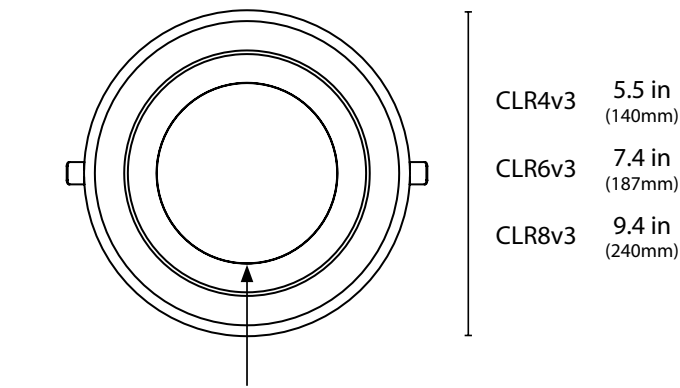
(6", 8") Black Trim Ring
(6", 8") Brushed Nickel Trim Ring
(6", 8") Aged Copper Trim Ring
(6", 8") Extension Ring, 8" Extension Rings w/ Clips
(6") Rough-in Frame
(6") Rough-in Template
Bluetooth Wireless Controls

CLRv3-Select

Commercial Recessed LED Downlight

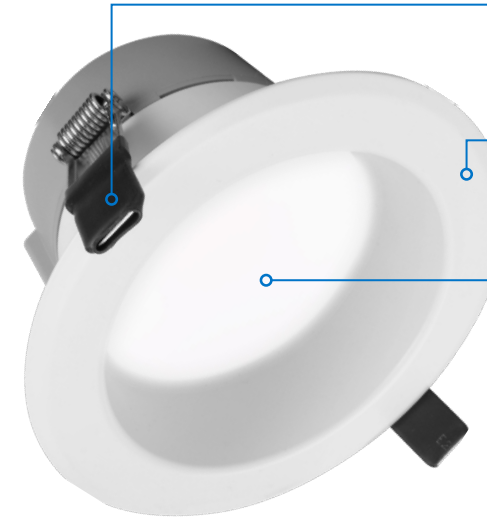
Designed for both new construction and retrofit applications, the CLR Select series can be installed directly into drywall, a ceiling grid, or an existing 4", 6", or 8" mounting frame using spring loaded retention tabs. The CCT and output selectable design allows for easy adjustment to 3000K, 3500K, 4000K, or 5000K and standard, medium, or high output. With accessory trims in black and offering a full range of dimming via 1-10 volts, the CLR Select is adaptable to most any environment. The versatility is perfect for commercial applications, such as educational, governmental, retail and grocery, office, or hospitality lighting.

Dimensions



*4" only

FEATURES



Easy Installation

Adjustable, spring loaded retention tabs ensure fixture retention on ceilings up to 1.5" thick

Finish

Matte white powder coat finish with optional black faceplate available

Optical

Precision engineered polystyrene diffuser provides high uniformity and reduced glare

Selectable CCT

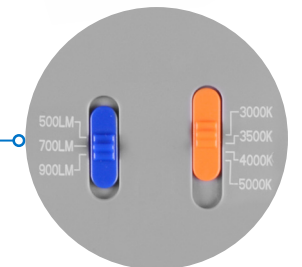
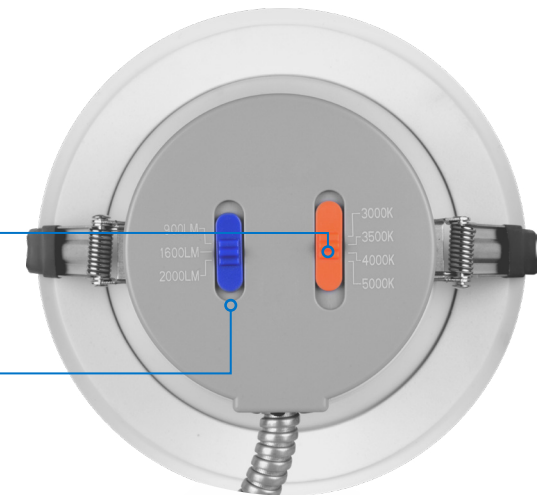
4 CCT selection (3000K, 3500K, 4000K, or 5000K) switch located on the backside

Selectable Wattage

3 Wattage selection (Standard, Medium, High) switch located on the backside

Selectable Wattage Low Lumen

Low lumen options provide softer light with energy savings and design flexibility



Black Trims

4", 6", and 8"



Ordering Information

Series	Diameter	Version	Wattage	Voltage	CCT	CRI	Color
CLR	4 (4 inch)	3 (v3.0)	S (Selectable)	U (120-277V)	S (Selectable)	9 (90 CRI)	WH (White)
	6 (6 inch)		SL (Selectable Low Lumen)				
	8 (8 inch)						

Specifications and dimensions subject to change without notice.

Recommended Dimmers*

Lutron NTSTV-DV-WH	Cooper SF10P
Lutron DVSTV	Legrand RH4FBL3PW

*Not a complete list. Check compatibility before installation

Accessories

Accessories	Accessories sold separately
Black 4" Trim	CLR43-TR-BK
Black 6" Trim	CLR63-TR-BK
Black 8" Trim	CLR83-TR-BK
3", 4", 6" Rough-in Flat Template	ROUGHIN-TEMPLATE-346
8" Rough-in Template	ROUGHIN-TEMPLATE-8
4" Rough-in Frame	DLE4-ROUGHIN-FRAME
6" Rough-in Frame	DLE6-ROUGHIN-FRAME
3", 4", 6" Rough-in Frame	MULTIFRAME-346-1
Emergency Battery Backup	EMI200-1-UNV
Bluetooth Wireless Controls	NLCDOWN1

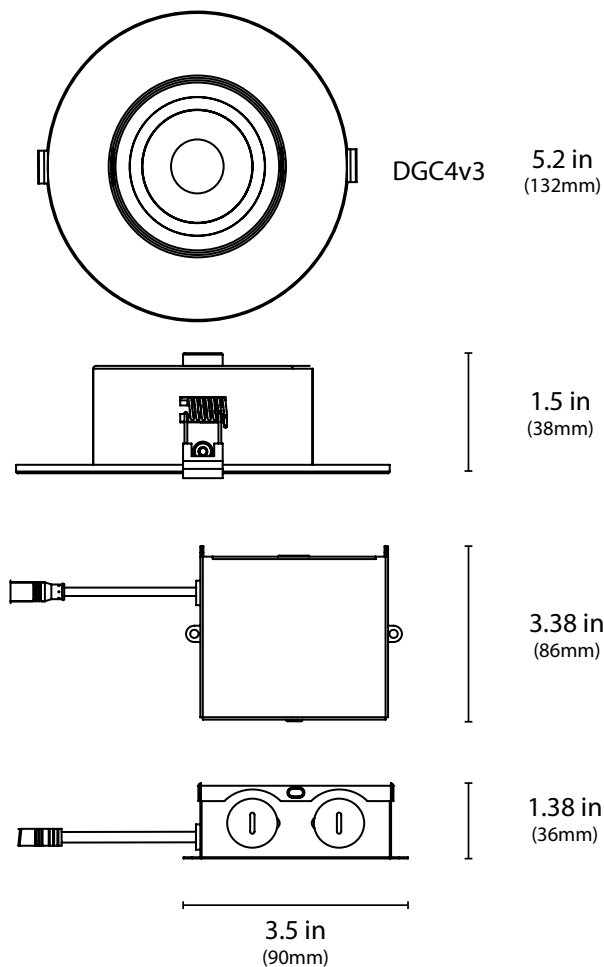
Additional trim finishes available based on MOQ of 300 units, subject to 90+ day lead time.

DGC4

Gimbal Recessed LED Downlight

The DGC4v3 offers an Airtight, IC-rated gimbal that simplifies challenging lighting installations into easily tailored masterpieces. With five CCT Selections from 2700-5000K, the high-performing light engine with an off-board driver allows for more flexible installations and increased lifetime with improved thermal management. Directional lighting is now easier than ever with 25° tilt and 360° rotation, making the DGC perfect for architectural accents such as living rooms, hallways, stairways, and corridors.

Dimensions



FEATURES



Easy Installation

Pop in ceilings up to 1" thick with spring-loaded retention arms, no housing needed

Adjustability

25° Tilt with 360° rotation of the housing

CRI 90+
R9 >50

Lumens
700-800+

Lifetime
>54000 hrs

Beam Angle
33°

Select the Perfect Light

NICOR offers selectable CCTs allowing you to set the color temperature that matches your environment. Choose between 2700K, 3000K, 3500K, 4000K and 5000K.



Ordering Information						Example: DGC43120SRDWH	Accessories
Series	Version	Input Voltage	CCTs	Shape	Color		
DGC4	3	120 (VAC)	S (Selectable)	RD (Round)	WH (White)		(4") Rough-in Frame
					OB (Bronze)		(4") Rough-in Template
							(10; 20') Extension Cable
							Multi-diameter Mounting Frame

Recommended Dimmers*		
Lutron Caseta PD-6WCL	Lutron Skylark SELV 300P	Legrand Adorne softTap DTP703TU
Lutron Caseta PD-10XN	Leviton Decora 6672	

*Not a complete list. Check compatibility before installation.

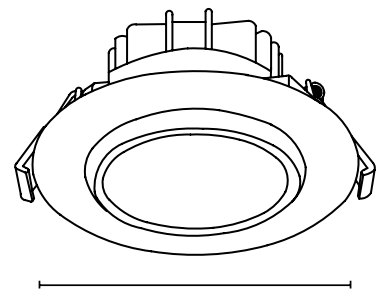


DGD

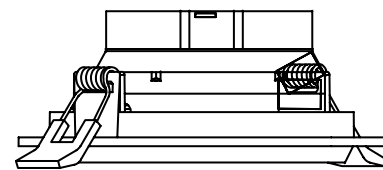
Gimbal Recessed LED Downlight

The DGD Series offers a line of gimbal downlights that simplify installing tailored lighting in challenging locations. The high-performing light engine with an off-board driver allows for more flexible installations and increased lifetime with improved thermal management. Adding directional lighting for architectural accents in areas such as living rooms, hallways, stairways, and corridors is now easier than ever.

Dimensions



- DGD2 2.55 in (64.8mm)
- DGD3 3.38 in (85.7mm)
- DGD4 5.33 in (135.5mm)



- DGD2 1.53 in (38.9mm)
- DGD3 1.8 in (45.7mm)
- DGD4 1.9 in (48.3mm)



FEATURES



Aluminum Trim
Trims available in 2", 3", and 4" and in Bronze, Nickel, and Black

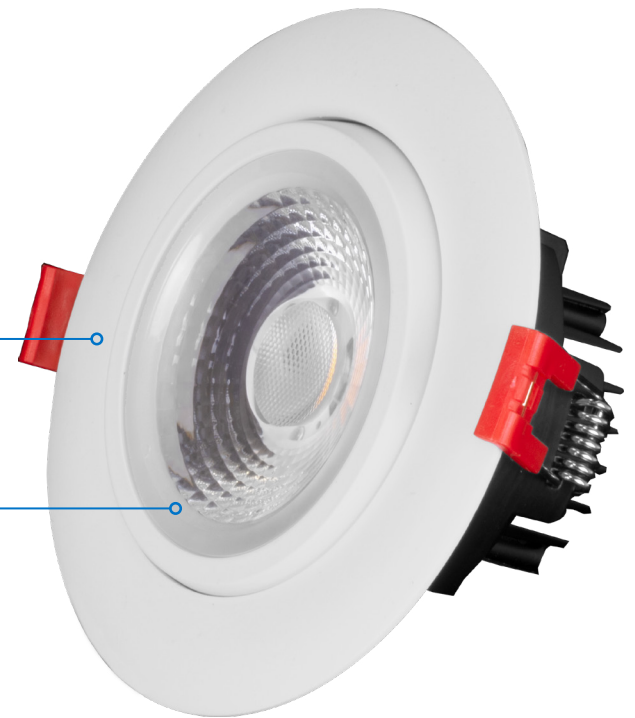
- CRI 90+ R9 >50**
- Lumens 350-1000+**
- Lifetime >54000 hrs**
- Beam Angle 39°-43°**

Cast Aluminum Housing

Keeps heat away from electrical components

Gimbal Lens

32° tilt with 360° rotation



Ordering Information Example: DGF43120SRDWH

Series	Version	Input Voltage	CCTs	Shape	Color
DGD2	1	120 (VAC)	2K (2700K)	RD (Round)	WH (White)
DGD3			3K (3000K)		BK (Black)
DGD4			4K (4000K)		NK (Nickel)
			5K (5000K)		OB (Oil-Rubbed Bronze)

Recommended Dimmers*

DGD2	DGD3, DGD4
Legrand Adorne softTap 341108	Lutron DIVA DVELV-303P
Lutron Maestro MACL-153M	LEVITON C22-06672-1LW
Cooper E95219	Lutron Skylark SELV-300P

Accessories

(4") Rough-in Frame
(2", 3", 4") Rough-in Template
(24", 10', 20') Extension Cable

*Not a complete list. Check compatibility before installation

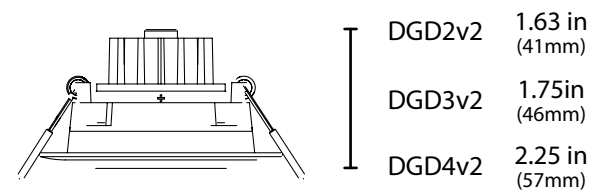
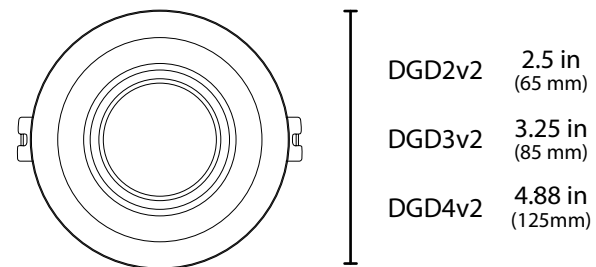


DGD-Select

Gimbal Recessed LED Downlight

The DGD LED Downlight Gimbal Series offers a line of gimbal downlights that simplifies installing tailored lighting in challenging locations. The high performing light engine with off-board driver allows for more flexible installations and increased lifetime with improved thermal management. The DGD fixture uses a plenum-rated cable connector to link the downlight module to the remote driver box and then pops into place with its adjustable, spring-loaded retention tabs for a secure fit, eliminating the need for a J-box or recessed housing. Adding directional lighting for architectural accent in areas such as living rooms, hallways, stairways and corridors is now easier than ever.

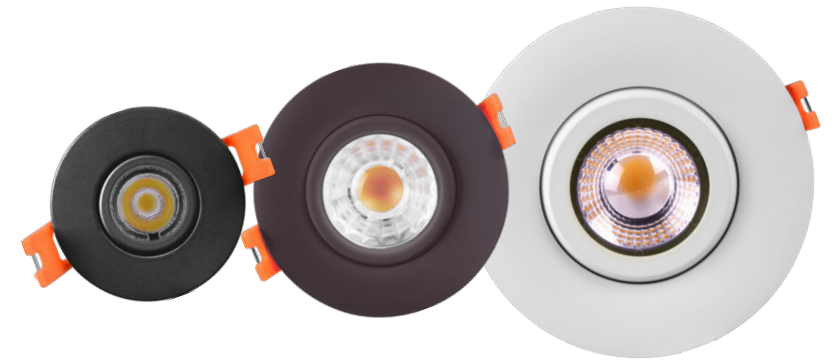
Dimensions



FEATURES

Aluminum Trim

Trims available in 2", 3", and 4" and in White, Black, and Oil- Rubbed Bronze



Cast Aluminum Housing

Keeps heat away from electrical components

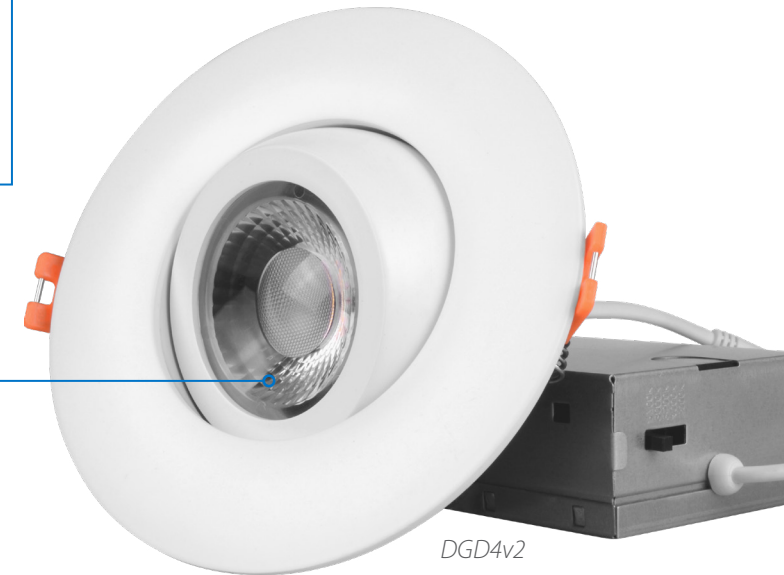


Canless Installation

Adjustable, spring-loaded retention tabs ensure secure fixture retention

Directional Lighting

32° tilt with 360° rotation



Ordering Information							Example: DGD22120SRD9WH	
Series	Size	Version	Input Voltage	CCTs	Trim	CRI	Finish	
DGD	2 (2 inch)	2	120 (VAC)	S (Select:27/30/35/40/50K)	RD (Round)	9 (90+)	WH (White)	
	3 (3 inch)						OB (Oil Rubbed Bronze)	
	4 (4 inch)						BK (Black)	

Recommended Dimmers*
Lutron DIVA DVELV-303P
LEVITON C22-06672-1LW
Lutron Skylark SELV-300P

Accessories
(2", 3", 4") Rough-in Frame
(3", 4") Rough-in Template
(3", 4", 6") Rough-in Flat Template
(2', 10') Extension Cable

*Not a complete list. Check compatibility before installation

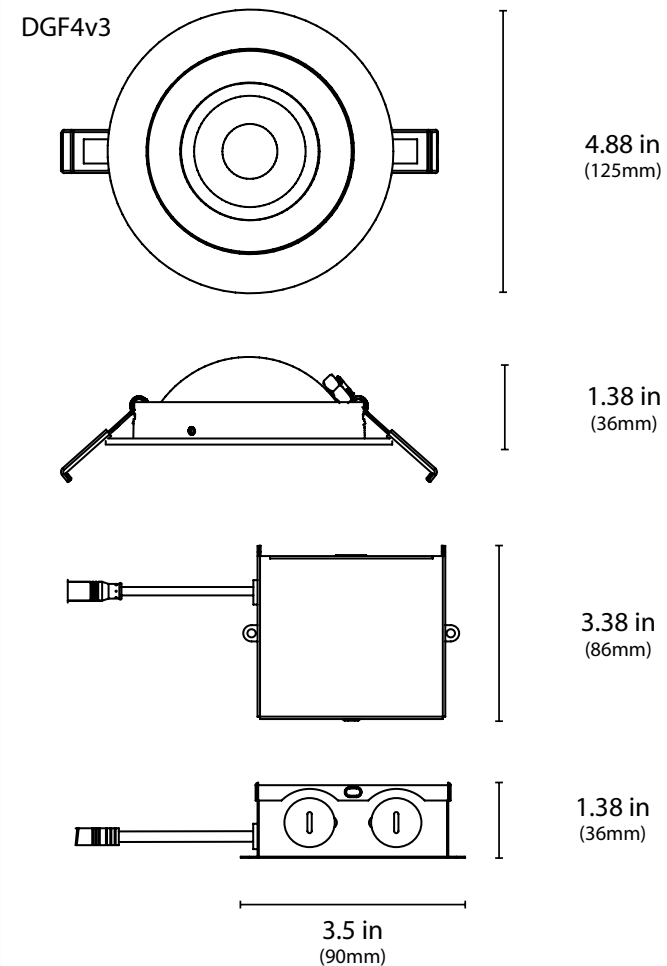


DGF4

4" LED Recessed Adjustable Floating Gimbal

The DGF4v3 Floating Gimbal offers an Airtight, IC-rated gimbal that simplifies challenging lighting installations into easily tailored masterpieces. With five CCT Selections from 2700-5000K, the high-performing light engine with an off-board driver allows for more flexible installations and increased lifetime with improved thermal management. Directional lighting is now easier than ever with 90° tilt and 360° rotation, making the DGF perfect for architectural accents.

Dimensions



FEATURES



Easy Installation

Pop in ceilings up to 1" thick with spring-loaded retention arms, no housing needed

Adjustability

90° tilt with 360° rotation of the housing

**CRI 90+
R9 >50**

**Lumens
700-800+**

**Lifetime
>54000 hrs**

**Beam Angle
29°**

Select the Perfect Light

NICOR offers selectable CCTs, allowing you to set the color temperature that matches your environment. Choose between 2700K, 3000K, 3500K, 4000K, and 5000K.



Ordering Information					Example: DGF43120SRDWH
Series	Version	Input Voltage	CCTs	Shape	Color
DGF4	3	120 (VAC)	S (Selectable)	RD (Round)	WH (White)
					BK (Black)
					OB (Oil-Rubbed Bronze)

Recommended Dimmers*		Accessories
Lutron Caseta PD-10XN	Leviton Decora Smart DW6HD	(4") Rough-in Frame
Lutron Skylark SELV 300P	Legrand Adorne softTap DTP703TU	(4") Rough-in Template
		(10', 20') Extension Cable
		Multi-diameter Mounting Frame

*Not a complete list. Check compatibility before installation

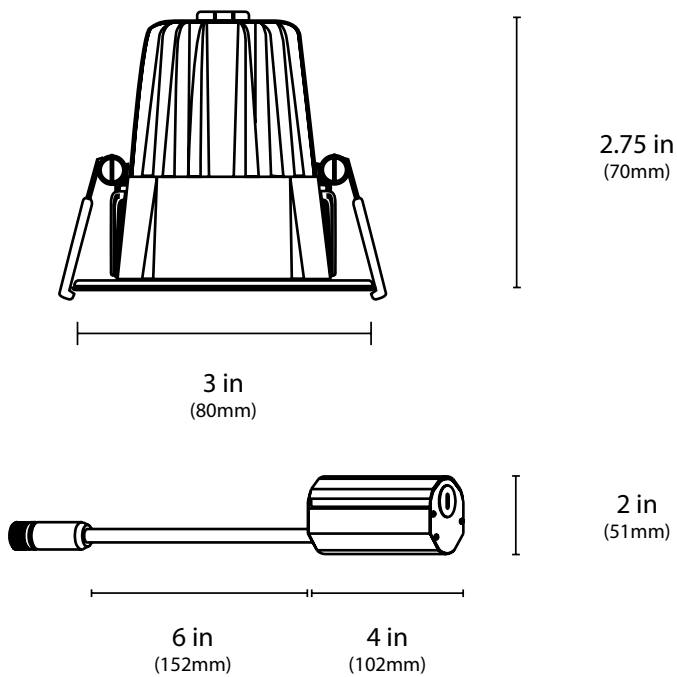


DRD/DQD

2" Recessed LED Downlight





The DRD/DQD LED Downlights allow you to bring general ambient lighting into a space with minimal aperture size. The high-performing light engine with an off-board driver allows for more flexible installations and an increased lifetime with improved thermal management. Adding ambient or accent lighting in areas such as living rooms, hallways, art niches, and display cases is now easier than ever.

Dimensions



FEATURES



- 
CRI 90+
R9 >50
- 
Lumens
550-650+
- 
Lifetime
>60000 hrs
- 
Beam Angle
38°

Spring Retention Arms

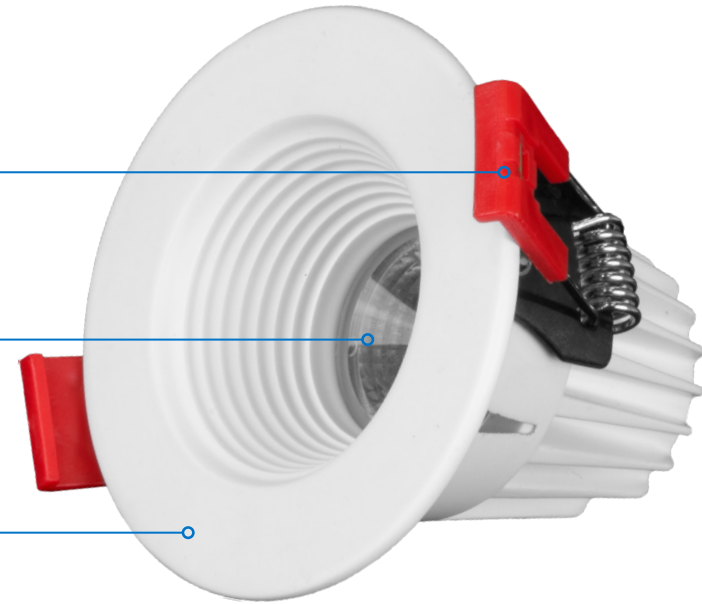
Adjustable spring arms for easy installation

Optic Lens

Uniform light with 38° beam angle

Cast Aluminum Housing

Keeps heat away from electrical components



Ordering Information Example: DQD211203KWHBF

Series	Version	Input Voltage	CCTs	Trim Color	Baffle
DRD2	1	120 (VAC)	2K (2700K)	WH (White)	BF (Baffle)*
DQD2			3K (3000K)		
			4K (4000K)		
			5K (5000K)		

*BF (Baffle) used only for DQD2 ordering number

Recommended Dimmers*

Legrand Adorne softTap ADT703TU703TU	Lutron Skylark SELV-300P
Lutron DIVA DVELV-303P	LEVITON C22-06672-1LW
Lutron RADIO RA RRD-6CL	

*Not a complete list. Check compatibility before installation

Accessories

- (2") Rough-in Template
- (24", 10', 20') Extension Cable

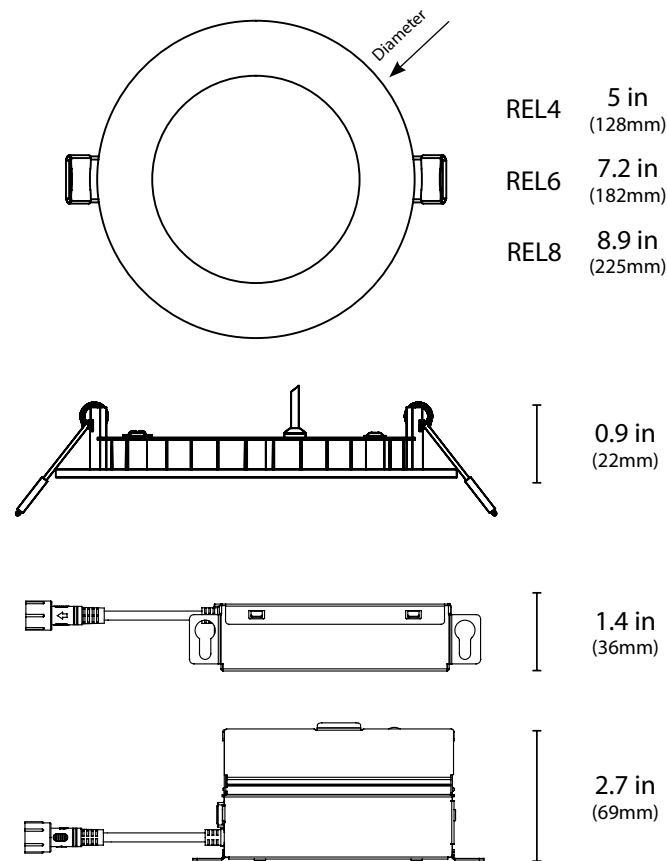


REL

Edge-Lit Recessed LED Downlight

The REL offers high-performance, edge-lit technology and an attractive aesthetic with a low profile. This sleek design is easy to install and is perfect for adding light in tight spaces such as hallways, bathrooms, basements, and utility closets.

Dimensions



FEATURES

Cast-Aluminum Housing

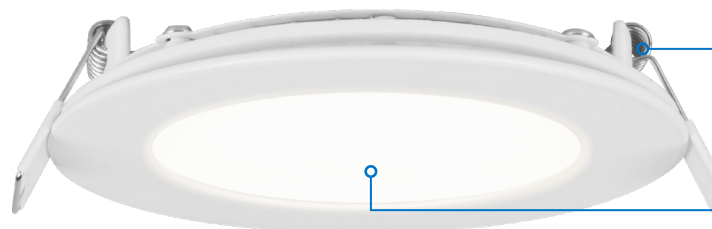
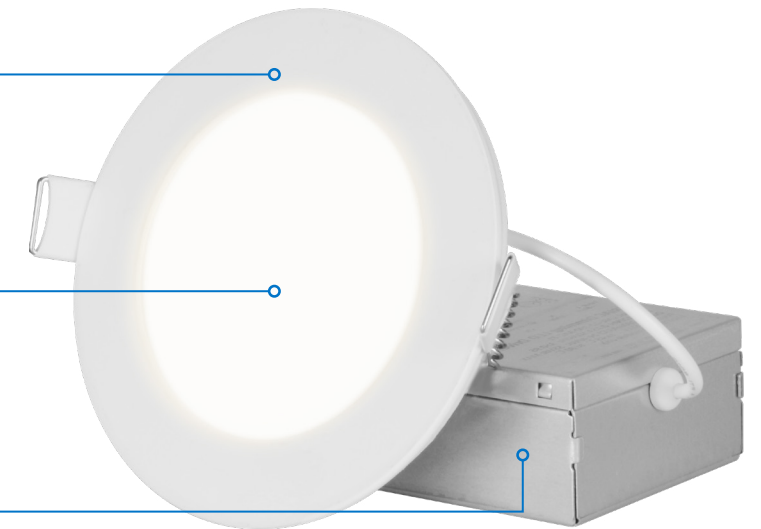
Routes heat away from electrical components

High-Performance LEDs

Creates uniform light distribution that maximizes lumen output

Remote Driver

Allows for a more flexible installation and increased lifespan through superior heat management



Easy Installation

Spring loaded retention tabs for easy installation into ceilings

Dimmable

Dimmable to 5% with compatible TRIAC and ELV dimmers

CRI 90+ R9 ≥60	Lumens 650-1200+	Lifetime >50,000 hrs	Beam Angle 111°
-----------------------	-------------------------	-----------------------------	------------------------

Ordering Information

Series	Version	Voltage	CCTs	Trim Shape	Trim Color
REL4	1	120	2K (2700K)	RD (Round)	WH (White)
REL6			3K (3000K)		
REL8			4K (4000K)		
			5K (5000K)		

Recommended Dimmers*

- Lutron Skylark SELV-300P
- Lutron Skylark SCL-153P
- Lutron Skylark CT-603PG
- Lutron DIVA DVELV-300P
- Lutron MAELV-600
- Lutron PD-10NXD

Accessories

- (4", 6", 8") Black Trim Ring
- (4", 6", 8") Brushed Nickel Trim Ring
- (4", 6", 8") Oil-Rubbed Bronze Trim Ring
- (4", 6") REL Goof Ring
- (2', 10') Extension Cable for REL
- (3", 4", 6") Frame for remote driver fixtures
- (4", 6") Rough-in Frame
- (4", 6") Rough-in Template

*Not a complete list. Check compatibility before installation



Color Trims

Available in Black, Nickel, or Oil-Rubbed Bronze

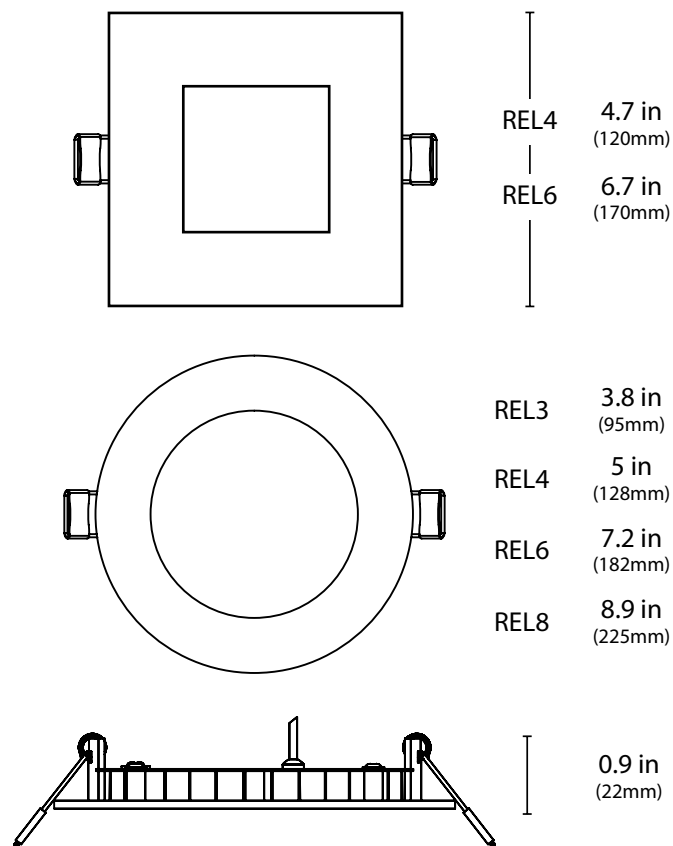


RELS

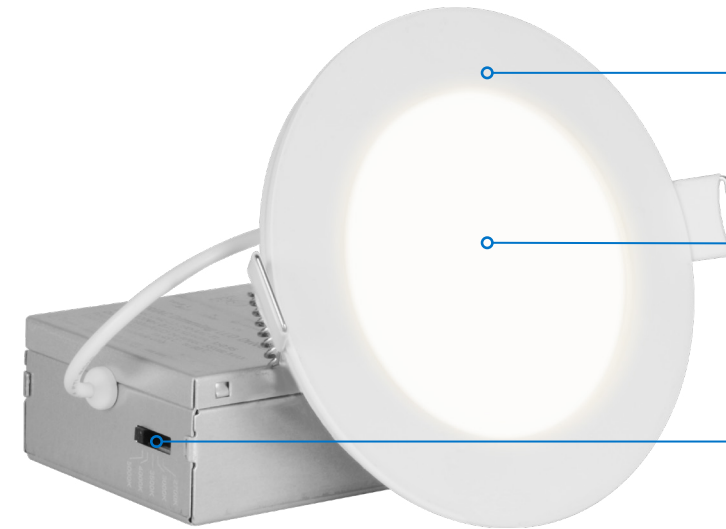
Edge-Lit Recessed LED Downlight Selectable

The REL Selectable Edge Lit Downlight offers an attractive aesthetic with a low profile in round and square forms. The CCT selectable, edge-lit technology makes it a practical solution with high performance. Adjustable spring-loaded retention tabs allow a secure fit for easy installation in both new construction and remodel applications. The RELS is an ideal solution for multi-family dwellings such as apartment buildings, condos, townhomes, and commercial applications.

Dimensions



FEATURES



Cast-Aluminum Housing

Routes heat away from electrical components

High-Performance LEDs

Creates uniform light distribution that maximizes lumen output

CCT Selectable

Offered in 5CCT selection of 2700K, 3000K, 3500K, 4000K, or 5000K

**CRI 90+
R9 >50**

**Lumens
550-1200+**

**Lifetime
>54000 hrs**

**Beam Angle
109°-114°**



Easy Installation

Spring loaded retention tabs for easy installation into ceilings

Dimmable

Dimmable to 5% with compatible TRIAC and ELV dimmers



Ordering Information

Series	Version	Voltage	CCTs	Shape	Finish
REL3	1	120	S (Selectable)	RD (Round)	WH (White)
REL4				SQ (Square) ¹	BK (Black) ²
REL6					
REL8					

¹ Square only available for 4" and 6" models. ² Black painted finish available on REL3 (in addition to White).

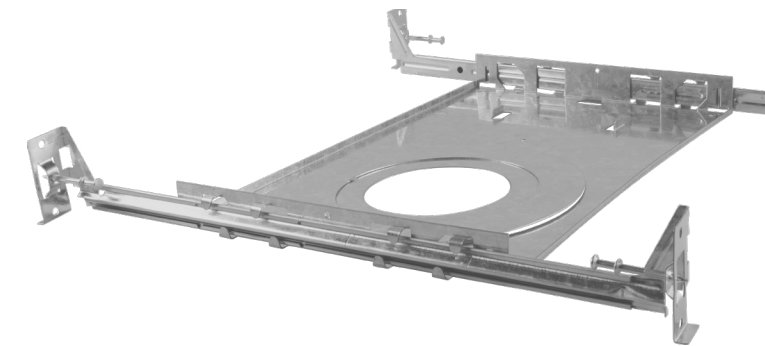
Recommended Dimmers*

Lutron Skylark SELV-300P
Lutron Skylark SCL-153P
Lutron DIVA DVELV-300P
Lutron MAELV-600
Lutron PD-10NXD

*Not a complete list. Check compatibility before installation

Accessories

(4", 6", 8") Black Trim Ring
(4", 6", 8") Brushed Nickel Trim Ring
(4", 6", 8") Oil-Rubbed Bronze Trim Ring
(4", 6") REL Goof Ring
(2', 10') Extension Cable for REL
(3", 4", 6") Frame for remote driver fixtures
(4", 6") Rough-in Frame
(3", 4", 6") Rough-in Template



MULTIFRAME-346-1

Two fully adjustable hanger bars that allow for installation into suspended ceilings

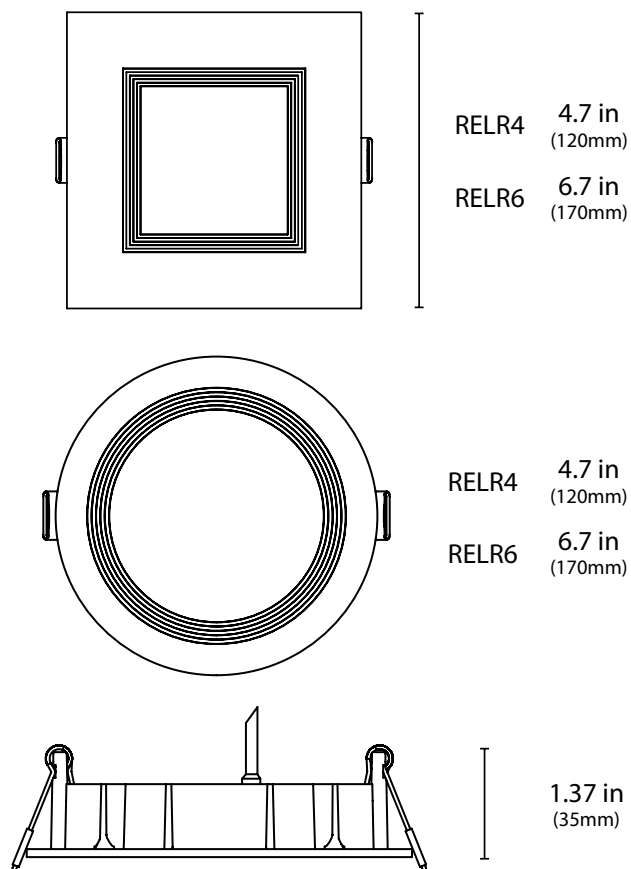


RELS-R

Edge-Lit Recessed LED Downlight Regressed

The RELS-R offers a regressed design to bring depth and a clean aesthetic to any room. Its high-performance, edge-lit technology and five CCT selectability provide ultimate customization. With easy installation, it's perfect for adding light in tight spaces.

Dimensions



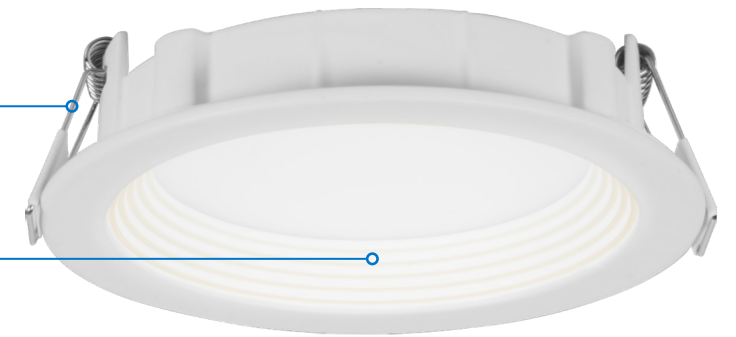
FEATURES

Easy Installation

Spring loaded retention tabs for easy installation into ceilings

Dimmable

Dimmable to 5% with compatible TRIAC and ELV dimmers



Cast-Aluminum Housing

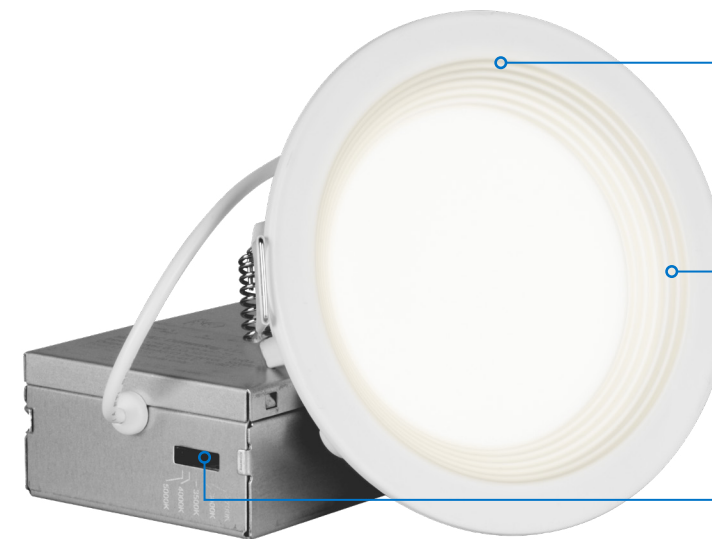
Routes heat away from electrical components

Regressed Design

Creates uniform light distribution that maximizes lumen output

CCT Selectable

Offered in 5CCT selection of 2700K, 3000K, 3500K, 4000K, or 5000K



CRI 90+
R9 >50

Lumens
600-950+

Lifetime
>54000 hrs

Beam Angle
109°-114°



Ordering Information Example: REL61120SRWH

Series	Version	Voltage	CCTs	Trim Shape	Fixture Type	Trim Color
REL4	1	120	S (Selectable)	R (Round)	R (Regressed)	WH (White)
REL6				Q (Square)		

Recommended Dimmers* Accessories

Lutron Skylark SELV-300P	Lutron DIVA DVELV-300P
Lutron Skylark SCL-153P	Lutron MAELV-600
Lutron Skylark CT-603PG	Lutron PD-10NXD

(4", 6") REL Goof Ring
(3", 4", 6") Frame for remote driver fixtures
(4", 6") Rough-in Frame
(4", 6") Rough-in Template
(2', 10') Extension Cable for REL

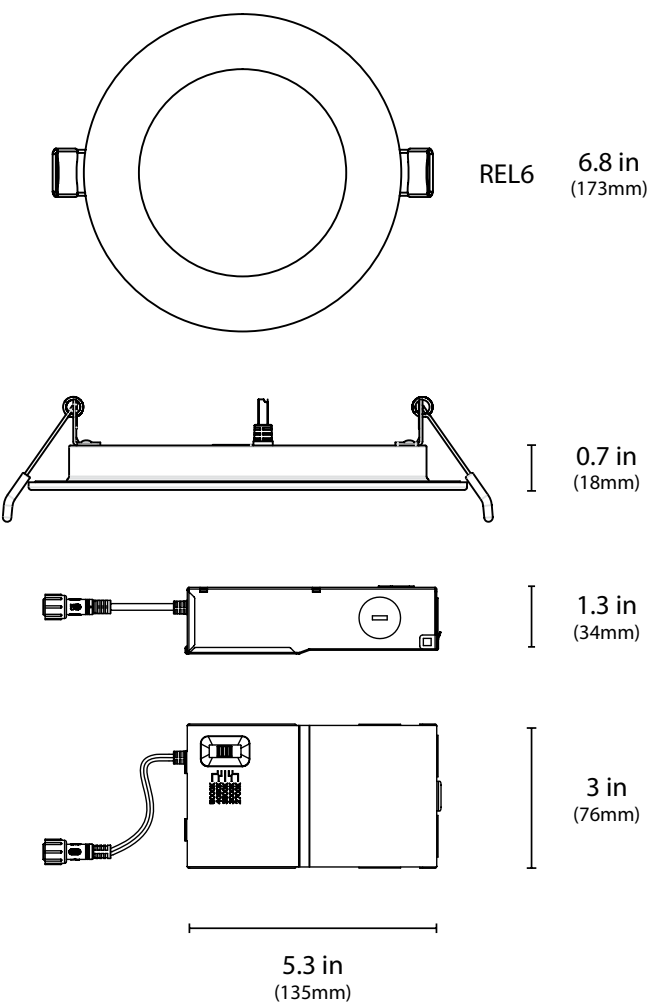
*Not a complete list. Check compatibility before installation

REL6-UNV

Edge-Lit Recessed LED Downlight Selectable, Universal Voltage

The REL6-UNV with universal voltage input offers an attractive aesthetic with a low-profile design in 6" round forms. Its high-performance, edge-lit technology and five CCT selectability provide ultimate customization. With easy installation, it's perfect for adding light to commercial or multifamily spaces such as offices, hallways, corridors, and entries.

Dimensions



FEATURES

Cast-Aluminum Housing
Routes heat away from electrical components

CCT Selectable
Offered in 5CCT selection of 2700K, 3000K, 3500K, 4000K, or 5000K

Universal Voltage
Integrated driver features 120-277VAC input to accommodate residential and commercial applications

CRI 90+ R9 >50 **Lumens 1000+** **Lifetime >54000 hrs** **Beam Angle 110.4°**

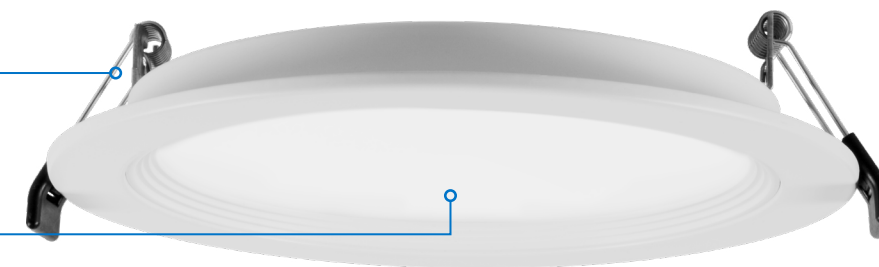
2.7K 3K 3.5K 4K 5K

Easy Installation

Spring-loaded retention tabs for easy installation into ceilings

Dimmable

Dimmable to 5% with compatible phase cut or 0-10VDC dimmers



Ordering Information							Example: REL61UNVSRDWH
Series	Version	Voltage	CCTs	Trim Shape	Trim Form	Trim Color	
REL6	1	UNV (120-277VAC)	S (Selectable)	RD (Round)	Blank (Smooth)	WH (White)	
						BF (Baffled)	

Recommended Dimmers*	Recommended Phase-Cut Dimmers*	Accessories
Lutron NTSTV	Lutron Skylark SELV-300P	(3", 4", 6") Frame for remote driver fixtures
Lutron DVSTV	Lutron Skylark SCL-153P	(6") Rough-in Frame
Cooper SF10P	Lutron DIVA DVCL-153P	(6") Rough-in Template
Legrand RH4FBL3PW	Lutron DIVA DVELV-300P	(2', 10') Extension Cable for REL

*Not a complete list. Check compatibility before installation

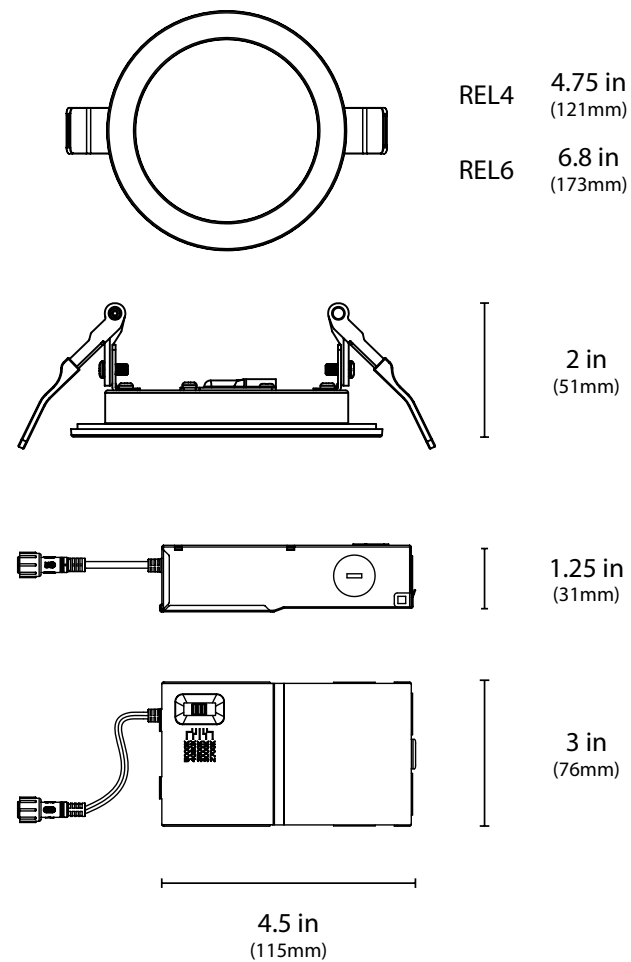


REL-FR

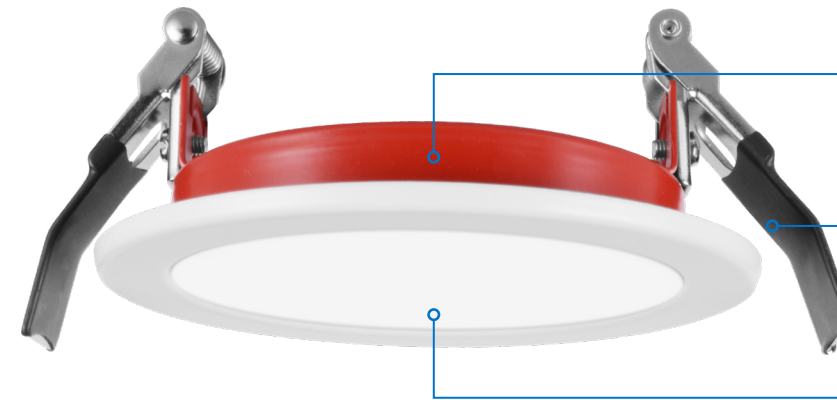
Fire Rated, Recessed LED Downlight

The Fire Rated REL Recessed Downlight meets the latest codes for multi-family fire rating with a 2hr certification per UL263. The edge-lit technology makes it a practical solution with high performance and five CCT selectability (2700K, 3000K, 3500K, 4000K, and 5000K). Adjustable spring-loaded retention tabs allow a secure fit and easy installation in both new construction and remodel applications. The REL-FR is an ideal solution for apartments buildings, town homes, condos, and commercial applications.

Dimensions



FEATURES



2-Hour Fire Rating

UL263 Certified: Exceeds rigorous testing to meet fire resistance standards

Easy Installation

Spring loaded retention tabs for easy installation into ceilings

Dimmable

Dimmable to 5% with compatible TRIAC and ELV dimmers



Select the Perfect Light

The REL-FR downlight features five selectable color temperature options to match any environment. Go from warm white to daylight with the flip of a switch.



Ordering Information

Example: REL6FR1120SRD9WH

Series	Version	Voltage	CCTs	Trim Shape	CRI	Trim Color
REL4	FR1 (Fire Rated)	120	S (Selectable)	RD (Round)	9 (90)	WH (White)
REL6						

Accessories

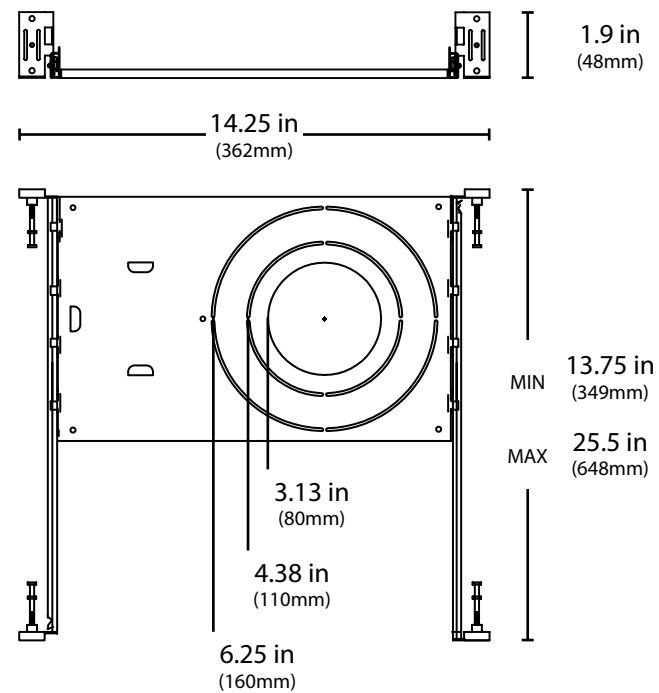
- (3", 4", 6") Frame for remote driver fixtures
- (4", 6") Rough-in Frame
- (4", 6") Rough-in Template
- (2') Extension Cable
- (10') Extension Cable

MULTIFRAME

Multi-Diameter Mounting Frame

The Multiframe can be used with many of NICOR's 3", 4" and 6" LED downlights with remote drivers. Providing a mounting location as well as a wiring location indicator, the Multiframe can simplify the installation of downlights that don't require a housing.

Dimensions



FEATURES

Pre-Set Captive Nails

Allow for easy installation

Durable Single-Piece Frame

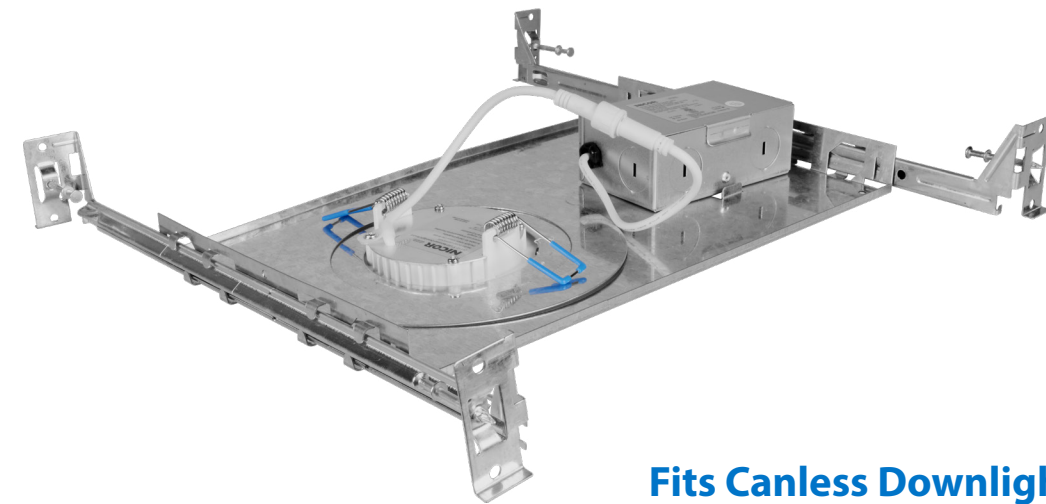
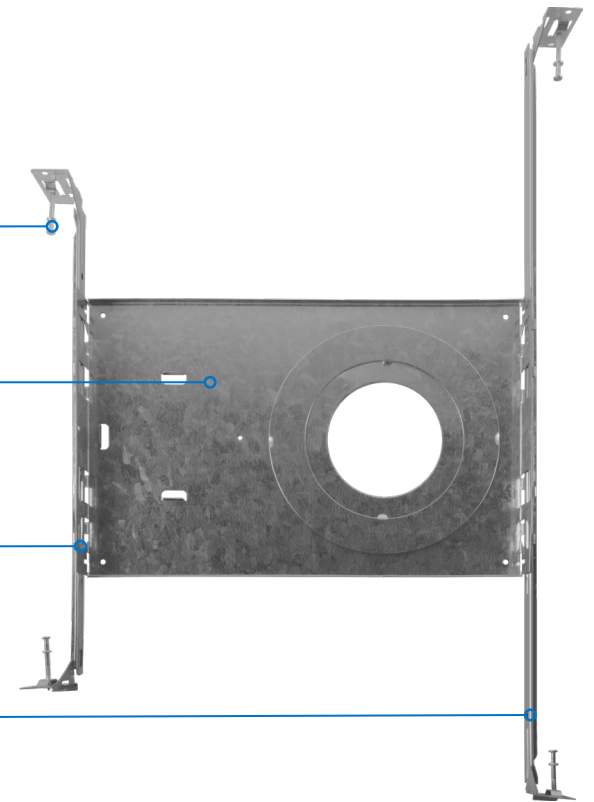
Constructed with 22-gauge steel

New Construction Frame

With unique hanger bar lip design

Fully Extendable

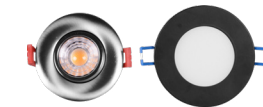
Hanger bars adjust from 13.75" to 25.5"



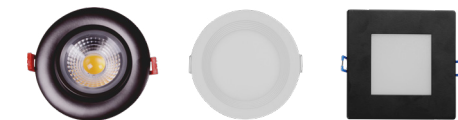
Fits Canless Downlights

3-inch, 4-inch, and 6-inch recessed downlights

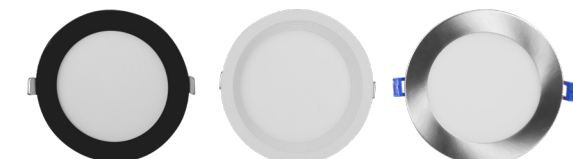
3-inch downlights



4-inch downlights



6-inch downlights



Ordering Information

Example: MULTIFRAME-346-1

Series	Size	Version
MULTIFRAME	346	1

Compatible Fixtures

(3") RELS, DGD
(4") REL, RELS, RELS-R, DGD, DGC, DGF
(6") REL, RELS, RELS-R, REL6-UNV, CLR6

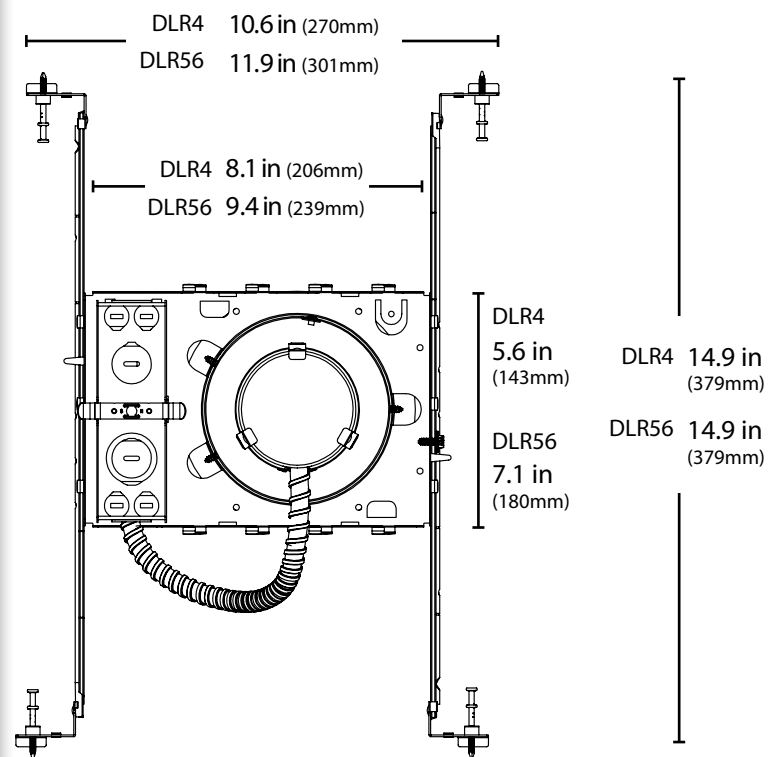
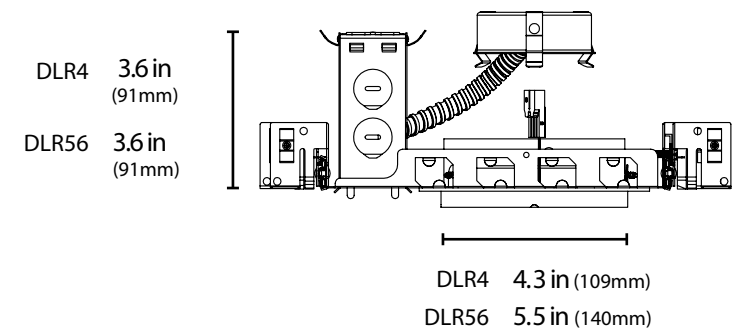


DLR4/DLR56 FRAMES

New Construction Frames for DLR4/DLR56

These frames are designed to lower the overall system cost of installing the DLR4/DLR56 in new construction applications and is suitable for use in residential and commercial applications.

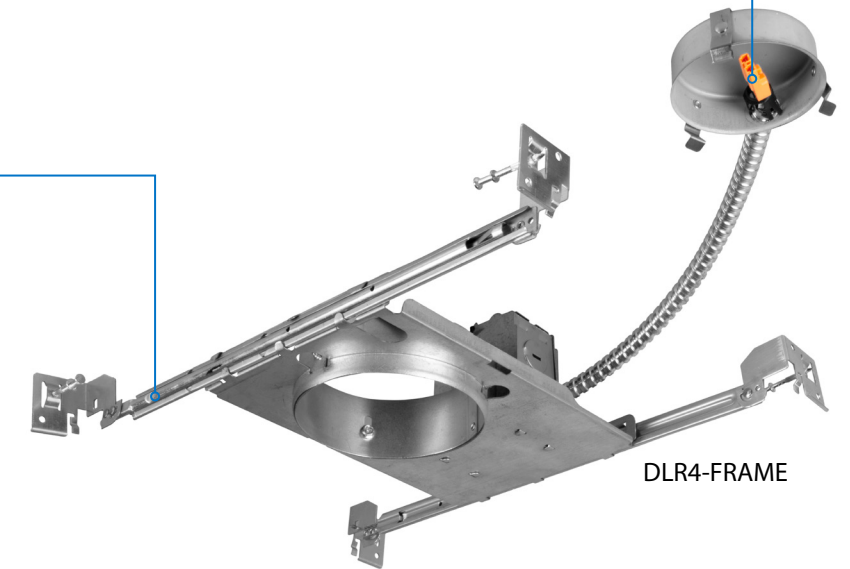
Dimensions



* When used with DLR56 downlight

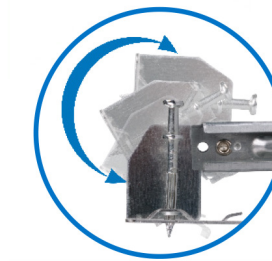
FEATURES

Quick-Connect Plug
with Patented trim attachment system



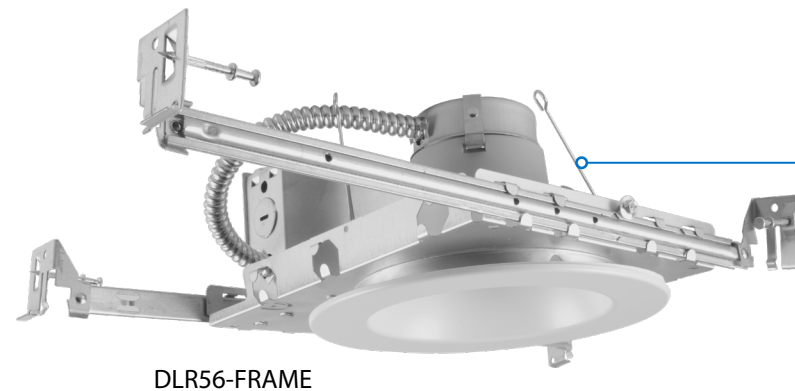
Hanger Bars

NICOR captive hanger bars allow housing to be positioned at any point up to a 24" joist span



Swivel Foot

Easier single person installation with 90° pivot



Two V-Spring clips

for easy installation

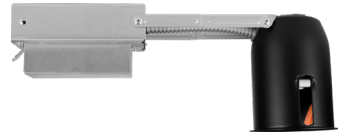
Ordering Information		Example: DLR56-FRAME
Series	Description	
DLR56-FRAME	DLR56 New Construction Frame	

Ordering Information		Example: DLR4-FRAME
Series	Description	
DLR4-FRAME	DLR4 New Construction Frame	

HOUSINGS

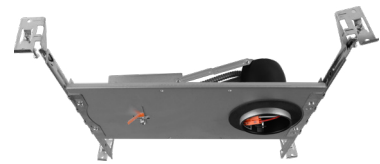
2"

Remodel Housing



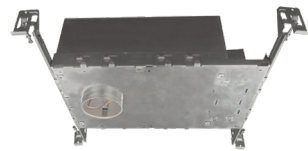
Ordering Information	
Model Number	Description
12202R-LED-ICAT	2" LED Remodel Airtight Housing

New Construction Housing



Ordering Information	
Model Number	Description
12201-LED-ICAT	2" LED New Construction Airtight Housing

New Construction 120-277V Housing



Ordering Information	
Model Number	Description
12300A-LED	2" LED IC/AT 120-277V New Construction Housing

3"

New Construction Housing



Ordering Information	
Model Number	Description
13200A-LED	3" LED IC AIRTIGHT NEW CONSTRUCTION HOUSING

Remodel Housing



Ordering Information	
Model Number	Description
13201AR-LED	3" LED IC AIRTIGHT REMODEL HOUSING

Additional recessed housings available. Visit www.nicorlighting.com to see the full line.

4"

New Construction Housing



Ordering Information	
Model Number	Description
19000A-LED-ID	4" LED IC AIRTIGHT NEW CONSTRUCTION HOUSING

Remodel Housing



Ordering Information	
Model Number	Description
19001AR-LED-ID	4" LED IC AIRTIGHT REMODEL HOUSING

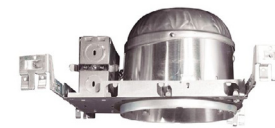
Fire Rated Housing



Ordering Information	
Model Number	Description
EFH4-LED	LED IC AIRTIGHT FIRE RATED HOUSING

6"

Shallow Housing



Ordering Information	
Model Number	Description
17014A-LED-ID	46" LED IC AIRTIGHT SHALLOW HOUSING

Remodel Housing



Ordering Information	
Model Number	Description
17014AR-LED-ID	46" LED IC AIRTIGHT REMODEL HOUSING

Fire Rated Housing



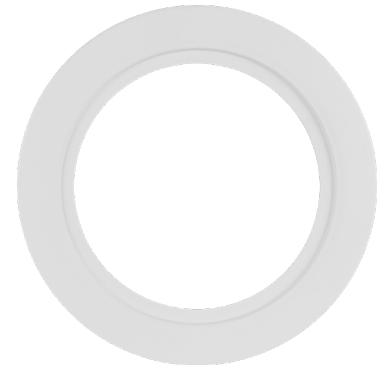
Ordering Information	
Model Number	Description
EFH6-LED	LED FIRE RATED HOUSING

Additional recessed housings available. Visit www.nicorlighting.com to see the full line.

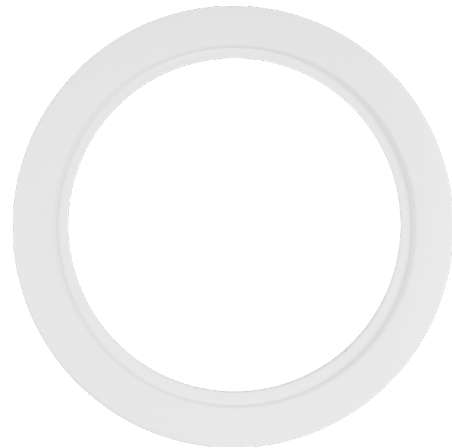
DOWNLIGHT ACCESSORIES

REL Goof Rings

The REL Series Goof Rings offer a smooth and seamless solution for concealing irregular or jagged edges during the installation of REL series fixtures.



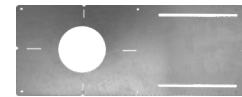
REL4-1-GR-RD-WH



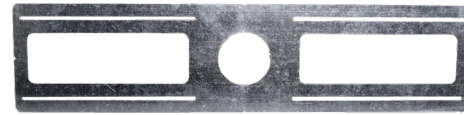
REL6-1-GR-RD-WH

Rough-in Templates

Rough-in Templates can be used with most NICOR remote-driver fixtures to serve as cutting guides and wiring location indicators. Crafted from galvanized steel, they offer durability and reliability.



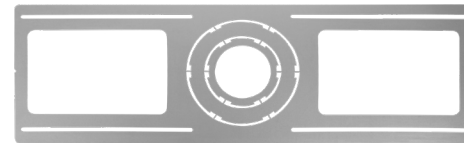
ROUGHIN-TEMPLATE-2



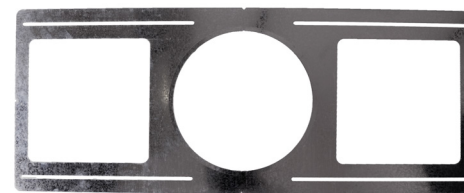
ROUGHIN-TEMPLATE-3



ROUGHIN-TEMPLATE-4



ROUGHIN-TEMPLATE-346



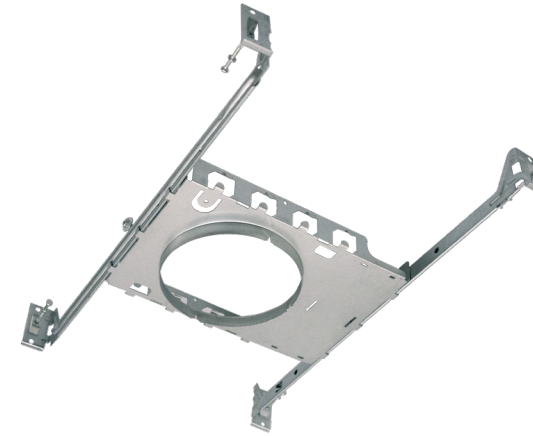
ROUGHIN-TEMPLATE-8

Compatible Fixtures		
Model	Dimensions	Fixtures
REL4-1-GR-RD-WH	4"	(4") REL, RELS, REL-R, REL Goof Rings
REL6-1-GR-RD-WH	6"	(6") REL, RELS, REL-R

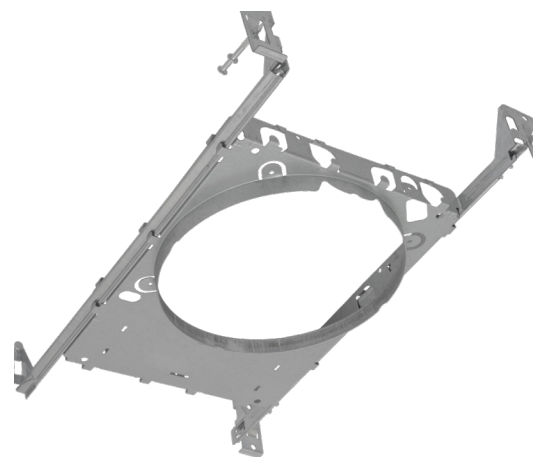
Compatible Fixtures		
Model	Dimensions	Fixtures
ROUGHIN-TEMPLATE-2	13" x 6"	(2") DGD, DRD, DQD
ROUGHIN-TEMPLATE-3	26" x 6"	(3") RELS, DGD
ROUGHIN-TEMPLATE-4	26" x 6"	(4") REL, RELS, RELS-R, REL-FR, DGD, DGC, DGF
ROUGHIN-TEMPLATE-8	26" x 10"	CLR8S, CLR8H
ROUGHIN-TEMPLATE-346	26" x 8.5"	DGD3, DLE3, RELS3, DGD4, DGC4, DGF4, DLE4, REL4, RELS4, RELR4, REL4FR1, CLR6, DLE6, REL6, RELS6, RELR6, REL6-UNV, REL6FR1

Rough-in Frames

These frames are designed to aid in the installation of the Canless Downlights by providing a clear location for wire pull and to act as a cutting template after ceiling finish. It is suitable for use in residential and commercial applications.



DLE4-ROUGHIN-FRAME



DLE6-ROUGHIN-FRAME

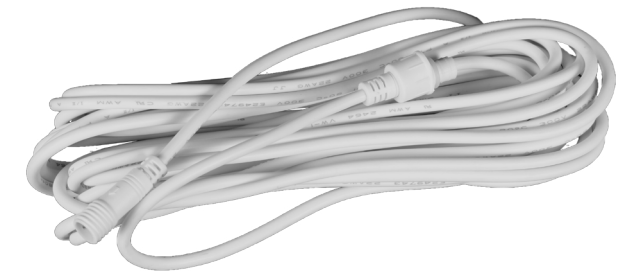
Compatible Fixtures		
Model	Dimensions	Fixtures
DLE4-ROUGHIN-FRAME	7.88" x 5.75"	(4") REL, RELS, RELS-R, REL-FR, DGD, DGC, DGF
DLE6-ROUGHIN-FRAME	9.25" x 7"	(6") REL, RELS, RELS-R, REL6-UNV, REL-FR, CLR6

Extension Cables

These 22-gauge extension cables span the distance between the light engine and remote driver of compatible NICOR fixtures. The cable is plenum rated for air handling space. For DGD, DQD, DRD, REL, and RELS applications. Comes in 2' and 10' lengths.



REL-EXTCABLE-02
RELS-EXTCABLE-02
DLE-EXTCABLE-24
EXTCABLE-SELECT-02



REL-EXTCABLE-10
RELS-EXTCABLE-10
DRIVER-EXTCABLE-10/20
EXTCABLE-SELECT-10

Compatible Fixtures		
Model	Cable Length	Fixtures
REL-EXTCABLE-02	2'	(4", 6", 8") REL
RELS-EXTCABLE-02	2'	(4", 6", 8") RELS, (4", 6") RELS-R
EXTCABLE-SELECT-2	2'	(3") RELS, (4", 6") REL-FR, (6") REL6-UNV
DLE-EXTCABLE-24	24"	(2", 3", 4") DGD, DQD2, DRD2
REL-EXTCABLE-10	10'	(4", 6", 8") REL
RELS-EXTCABLE-10	10'	(4", 6", 8") RELS, (4", 6") RELS-R
DRIVER-EXTCABLE-10	10'	(2", 3", 4") DGD, DQD2, DRD2
DRIVER-EXTCABLE-20	20'	DGD, DQD2, DRD2
EXTCABLE-SELECT-10	10'	(3") RELS, (4", 6") REL-FR, (6") REL6-UNV



LIT-DOWNLIGHT
9152025
© 2025 NICOR® • ALL RIGHTS RESERVED

WAREHOUSE LOCATIONS:

Albuquerque, NM
Buford, GA
Roseville, CA



NICOR Lighting
2200 Midtown Place NE Albuquerque, NM 87107 USA
www.nicorlighting.com | T. 800-821-6283 F. 800-892-8393