



NICOR[®]

Emergency Lights | Exit Signs | Battery Backup | Remote Heads | Outdoor

LED Emergency & Exit Solutions

Discover the Power of **LED Emergency Lighting**



LIGHTING THE WAY: POWERFUL LED SOLUTIONS FOR EMERGENCY SITUATIONS

No matter the reason, when the power goes out in an emergency, you need dependable egress lighting to guide people to safety. NICOR's LED emergency lighting and exit products have been designed to meet or exceed the latest codes and standards, ensuring dependable and energy-efficient lighting during power outages.

NICOR offers a wide range of fixtures and signs, providing numerous choices to complement any aesthetic. Field or factory-installed emergency drivers add emergency lighting capability to many of NICOR's standard commercial products. Whether in an office building, a warehouse, an apartment complex, or exterior doorway, NICOR will light the way to safety.

For more details and information, including the compatibility chart for remote emergency lamps visit nicorlighting.com

FEATURE LISTINGS AND RATINGS

NICOR incorporates industry-leading standards into every emergency fixture, enhancing their efficiency, ease of installation, and overall superiority compared to similar products, enabling them to outperform the competition.

The following guide defines these standards to help you choose the right fixture for your application:



WARRANTY

NICOR Inc. warrants that all traditional NICOR branded products made by NICOR to be free from defects in material and workmanship under normal consumer usage for a period of 1 or 5 years from date of purchase. For complete warranty information please visit nicorlighting.com.



DAMP LOCATION

These products are approved for use in interior locations protected from weather but subject to moderate degrees of moisture, such as some basements, some barns, and some cold storage warehouses.



WET LOCATION

These products can be used in wet locations, both indoor and outdoor. A wet location is an interior or exterior location in which water or other liquids may drip, splash, or flow on or against the electrical components of a lighting fixture or ceiling fan. Outdoor Wet Locations include open-air decks and patios, uncovered porches, outdoor dining areas, exterior walls, gazebos, pergolas, and walkways. Indoor Wet Locations include shower enclosures.



IP65

The Ingress Protection (IP) rating grades resistance of an enclosure against the intrusion of dust or liquids as defined by the International Electrotechnical Commission (IEC). These ratings are widely used throughout the lighting industry. For more information, visit www.iec.ch/ip-ratings. IP65 rated products are dust-tight and are protected against heavy water spray.



BC

Certifying Battery Charging Systems (BCS) efficiency data involves testing BCS's performance and submitting the data collected to the California Energy Commission (Energy Commission). Once deemed complete by the Energy Commission staff the certified BCS's are listed in the T20 database and can be legally sold or offered for sale in California.



UL 924 LISTED

When you see "UL 924 Listed", this means that a product and all of its components have been tested and reviewed by the Underwriters Laboratory, and has been certified to meet or exceed specific safety, electrical and fire hazard codes required for all commercial properties in the United States. More information can be found at www.ul.com.

FCC CLASS A

This device complies with part 15 of the FCC Rules. Operation is subject to the following two conditions:

- (1) This device may not cause harmful interference.
- (2) This device must accept any interference received, including interference that may cause undesired operation.

NOTE: This equipment has been tested and found to comply with the limits for a Class A digital device, pursuant to part 15 of the FCC Rules. These limits are designed to provide reasonable protection against harmful interference when the equipment is operated in a commercial environment. This equipment generates, uses, and can radiate radio frequency energy and, if not installed and used in accordance with the instruction manual, may cause harmful interference to radio communications. Operation of this equipment in a residential area is likely to cause harmful interference in which case the user will be required to correct the interference at his own expense.

FCC CLASS B

This device complies with part 15 of the FCC Rules. Operation is subject to the following two conditions:

- (1) This device may not cause harmful interference.
- (2) This device must accept any interference received, including interference that may cause undesired operation.

NOTE: This equipment has been tested and found to comply with the limits for a Class B digital device, pursuant to part 15 of the FCC Rules. These limits are designed to provide reasonable protection against harmful interference in a residential installation. This equipment generates, uses and can radiate radio frequency energy and, if not installed and used in accordance with the instructions, may cause harmful interference to radio communications. However, there is no guarantee that interference will not occur in a particular installation. If this equipment does cause harmful interference to radio or television reception, which can be determined by turning the equipment off and on, the user is encouraged to try to correct the interference by one or more of the following measures:

- Reorient or relocate the receiving antenna.
- Increase the separation between the equipment and receiver.
- Connect the equipment into an outlet on a circuit different from that to which the receiver is connected.
- Consult the dealer or an experienced radio/TV technician for help.

EMERGENCY & EXIT SIGNS

EML LED Emergency Lights

The EML series of LED Emergency lighting offers a variety of styles to suit any design and application. These emergency lights feature dual adjustable or fixed heads in a flame-resistant thermoplastic housing. Most units now offer a remote output option to drive up to two of NICOR'S ERH line of remote heads.

P6-P19



ERL LED Emergency Remote Heads

The ERL series LED remote heads are designed for use with NICOR'S ECL1 series exit sign and light combo. These units are available in single or dual LED head options and offer indoor and wet-location versions. Each LED head can be adjusted independently to direct light where it's needed the most.

P20-P23



ERH LED Emergency Remote Heads

The ERH series LED emergency remote heads are designed for use with NICOR'S remote-capable EML Series and ECL3 products. These units come in single and dual LED head options and offer indoor or wet-location versions. Each LED head can be adjusted independently to direct light where it's needed the most.

P24-P27



ECL LED Emergency Exit Sign Combos

The ECL series LED exit signs and light combos offer a low-profile design to fit any environment. All units feature dual adjustable LED heads, snap-on faceplates, and flexible mounting options for ceiling and surface mount applications. The signs are available with red or green lettering and removable chevron covers for directional egress. All signs come standard with an integrated test button and indicator light.

P28-P37



EXL LED Emergency Exit Signs

The EXL series exit signs offer a variety of options to match any environment. The series features white, translucent, and mirrored finishes, thermoplastic or brushed aluminum housings, red or green lettering with field-installed directional arrows, and stationary or adjustable mounting options. All signs come standard with an integrated test button and indicator light.

P38-P53



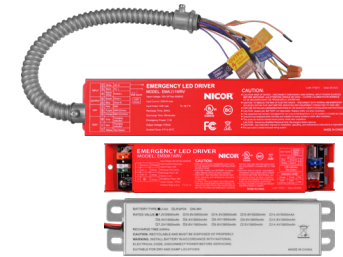
EMERGENCY DRIVERS



EMB & EMI LED Emergency Drivers

The EMB series LED emergency drivers offer constant 4.5W, 8.5W, 25W, or 40W power to meet the emergency power needs for a wide range of LED fixtures. The units are factory or field installable for new and retrofit applications. Each driver's auto sense circuit automatically adjusts voltage output for a variety of switched and unswitched LED products.

P54-P59



EMA & EMS LED Emergency Drivers

The EMA and EMS Series LED Emergency drivers enable both normal and emergency operation of an LED fixture. In the event of a power failure, these drivers activate the emergency mode, ensuring a consistent output power to the fixture for a minimum of 90-minutes. The EMS separated driver and battery are designed with a smaller size and form factor, making them suitable for installation in smaller or more crowded fixtures. Each driver includes a lighted test button with status indication.

P60-P63

EMERGENCY OUTDOOR



EOF & EOT LED Emergency Outdoor Lights

These EOF and EOT outdoor fixtures offer emergency lighting in an architectural fixture. Both products function as a standard outdoor light fixture with 90-minute emergency backup and feature integrated photocells. An optional cold weather kit keeps the EOF and EOT functioning in temperatures below freezing. These also feature a non-emergency option for fixtures that do not require emergency operation.

P64-P65



EMO Outdoor Emergency Backup

The EMO is an external LED emergency driver and battery for field installation that enables normal and emergency operation of an LED fixture. During a power failure, the EMO activates emergency mode to deliver consistent output power to the fixture for a minimum of 90 minutes. For added convenience, the kit features a lighted test button with status indicator allowing for easy functionality checks. The EMO allows you to add emergency battery backup to most outdoor LED fixtures.

P66

EML1 · LED EMERGENCY LIGHT



Compatible with: ERH1|2 & ERHWP1|2 remote heads

PRODUCT INFORMATION

Input Voltage (VAC)	120/277
Input Power (W)	1.15
Delivered Lumens (Lm)	188 (for two lamps)
Emergency Operation	90 Minutes

APPLICATIONS



The EML1 LED Emergency Light combines a low-profile, contemporary design in an affordable package. The EML1 Series is available in white and offers universal mounting, a test button with AC indicator, damp location listing, and a remote capable option. With fully adjustable heads, the EML1 Series complements any design application.

Construction

- Injection molded thermoplastic ABS housing.
- UL-94 V-0 Flame rating - Flame Retardant
- Adjustable heads for aiming light where required
- Head tilt: +25°/-90°
- Head rotation: 330°
- Operating temperature: 32°F to 104°F (0°C to 40°C)

Optical System

- Precision engineered Prismatic Lens

Electrical

- Input power 1.15W at 120/277
- Remote output power 2.4W at 3.6VDC
- Each lamp head delivers 94 lumens and consumes 1.2W
- Max load: Standard model = 2.4W
Remote capacity model = 4.8W
- Remote version supports up to two (2) single or one (1) double 3.6VDC NICOR remote heads
- Minimum 90 minute capacity

Mounting and Installation

- Easy installation into a standard junction box or conduit
- Universal mounting plate with EZ quick connect
- Damp location rated

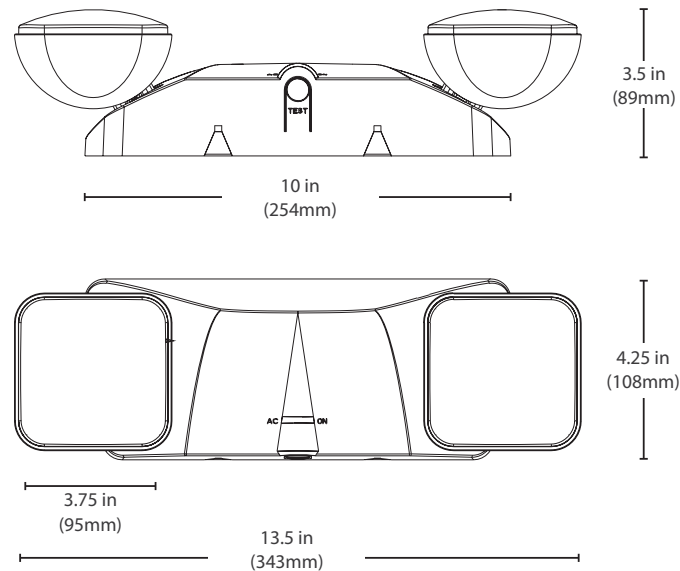
Listings

- Meets FCC Part 15, Subpart B, Class B standards for conducted and radiated emissions

Finish

- White unpainted ABS Plastic

Dimensions



FEATURES



Easy installation with standard 120/277VAC hook up. Universal mounting plate with EZ connects also available to help with simpler installation.



+25°/-90° TILT WITH 330° ROTATION

With fully adjustable heads the EML1 can accommodate any application for the best lighting in emergency situations.

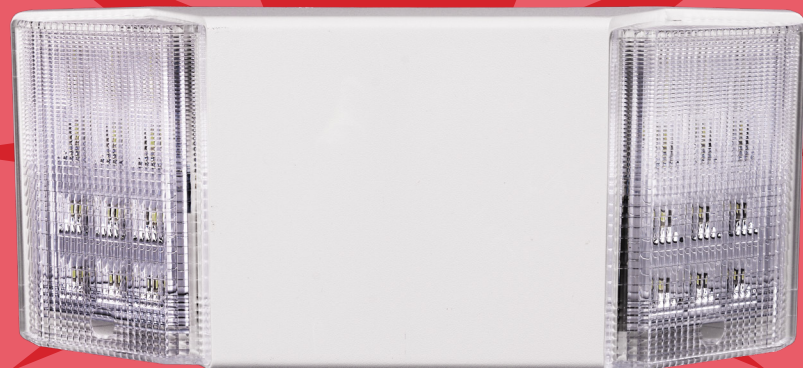
Ordering Information

Series	Version	Voltage	Housing Color	Remote Head Option
EML1	10 (1.0)	UNV (120/277VAC)	WH (White)	BLANK (Non-Remote)
				R (Remote Head Capable)

See spec-sheet for additional ordering information.



EML2 · LED COMPACT EMERGENCY LIGHT



PRODUCT INFORMATION

Input Voltage (VAC)	120/277
DC Output Power (W)	2.4
Delivered Lumens (Lm)	162
Emergency Operation	90 Minutes

APPLICATIONS



This LED thermoplastic emergency lighting unit offers a compact design in an affordable package. The EML2 Series is available in white and offers universal mounting with testing button and a damp location listing. Each head requires only 1.2 watts of power, making the EML2 Series an energy complement to any design.

Construction

- Injection molded thermoplastic ABS housing
- UL-94 V-0 flame rating - Flame Retardant

Electrical

- 1.2 Watts per head
- 120-277V Dual Voltage Operation
- LED Indicator Light & Push Button Test Switch

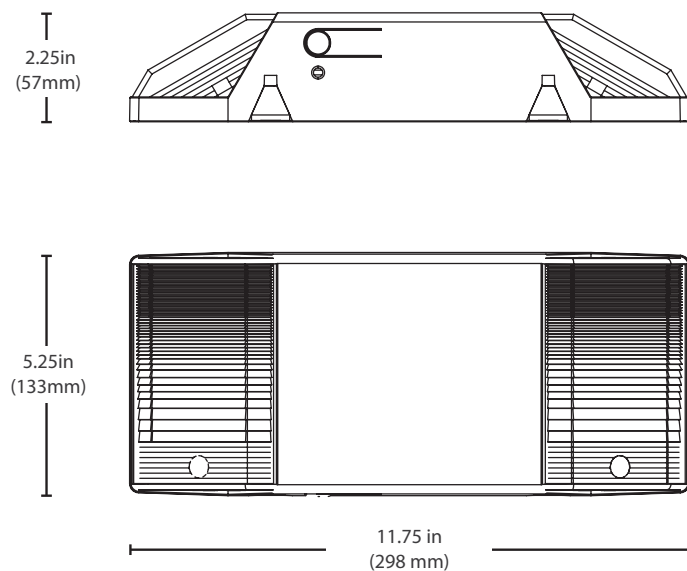
Installation

- Universal mounting plate with EZ quick connect
- Damp location rated (0°C to 40°C)

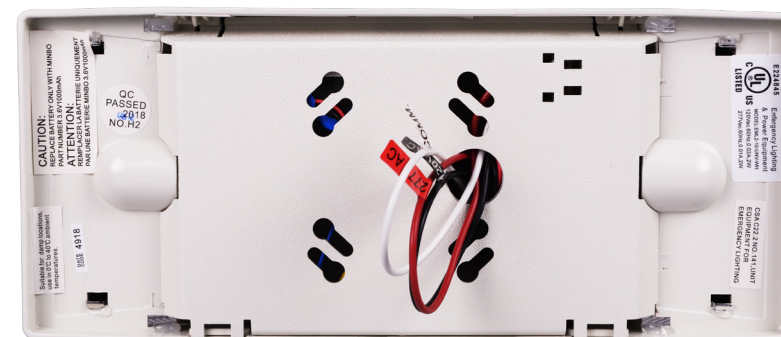
Listings

- Meets FCC Part 15, Subpart B, Class B standards for conducted and radiated emissions

Dimensions



FEATURES



Easy installation with standard 120/277VAC hook up from the back of the fixture. Universal mounting plate with EZ connects also available to help with simpler installation.



The EML2 has angled lenses for worry free light distribution. The test button is easily accessed outside the fixture.

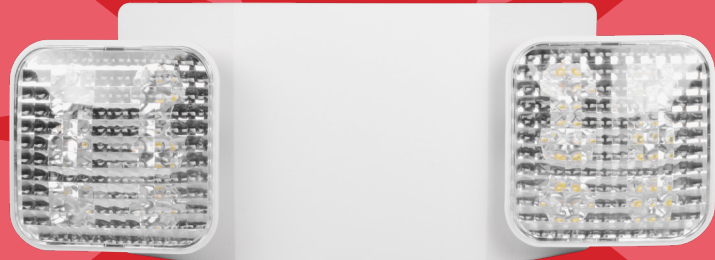
Ordering Information

Series	Version	Voltage	Housing Color
EML2	10 (1.0)	UNV (120/277VAC)	WH (White)

See spec-sheet for additional ordering information.



EML3 · LED SELF-DIAGNOSTIC EMERGENCY LIGHT



Compatible with: ERH1|2 remote heads

PRODUCT INFORMATION

Input Voltage (VAC)	120/277
Input Power (W)	3.3
Delivered Lumens (Lm)	203
Emergency Operation	90 Minutes

APPLICATIONS



The EML3 LED Emergency Light combines a low-profile, standard design in an affordable package. The EML3 Series is available in white and offers universal mounting, a test button with AC indicator, damp location listing, a remote capable option and advanced technology of self-diagnostic testing. With fully adjustable heads, the EML3 Series complements any design application.

Construction

- Injection molded thermoplastic ABS housing.
- UL-94 V-0 Flame rating - Flame Retardant
- Adjustable heads for aiming light where required
- Head tilt: +25°/-90°
- Head rotation: 330°
- Operating temperature: 50°F to 104°F (10°C to 40°C)

Optical System

- Precision engineered Prismatic Lens

Electrical

- AC Input Power: Non-Remote: 2.5W at 120/277VAC, Remote: 3.3W at 120/277VAC
- Remote version supports up to two (2) 3.6VDC NICOR remote lamps
- Minimum 90 minute capacity on emergency mode
- Self-Diagnostic feature automatically tests and reports on fixture status

Mounting and Installation

- Easy installation into a standard junction box or conduit
- Universal mounting plate with EZ quick connect
- Damp location rated

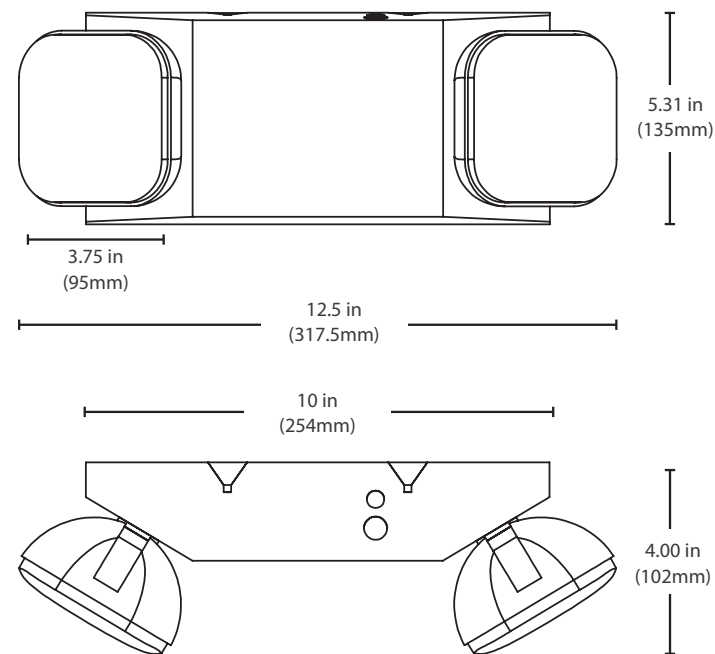
Listings

- Meets FCC Part 15, Subpart B, Class B standards for conducted and radiated emissions

Finish

- White unpainted ABS Plastic

Dimensions



FEATURES



Test the 90-minute emergency backup mode with the press of a button.



+25°/-90° TILT WITH 330° ROTATION

With fully adjustable heads the EML3/EML3SD can accommodate any application for the best lighting in emergency situations.

Ordering Information

Series	Version	Voltage	Housing Color	Remote head Option	Self-Diagnostic
EML3	10 (1.0)	UNV (120/277VAC)	WH (White)	BLANK (Non-Remote)	SD
				R (Remote Head Capable)	

See spec-sheet for additional ordering information.



EML4 · LED COMPACT EMERGENCY LIGHT



PRODUCT INFORMATION

Input Voltage (VAC)	120/277
Input Power (W)	2.1
Delivered Lumens (Lm)	272
Emergency Operation	90 Minutes

APPLICATIONS



The EML4 LED Emergency Light combines a low-profile, compact design in an affordable package. The EML4 Series is available in white and offers universal mounting, a test button with AC indicator, and damp location listing. With fully adjustable heads, the EML4 Series complements any design application.

Construction

- Injection molded thermoplastic ABS housing.
- UL-94 V-0 Flame rating - Flame Retardant
- Adjustable heads for aiming light where required
- Head tilt: +45°/-10°
- Head rotation: ±30°
- Operating temperature: 32°F to 104°F (0°C to 40°C)

Optical System

- Precision engineered Prismatic Lens

Electrical

- Input power 2.1W at 120/277
- Minimum 90 minute capacity on emergency mode

Mounting and Installation

- Easy installation into a standard junction box or conduit
- Mounting plate secures to the wall first for ease of wiring and installation
- Damp location rated

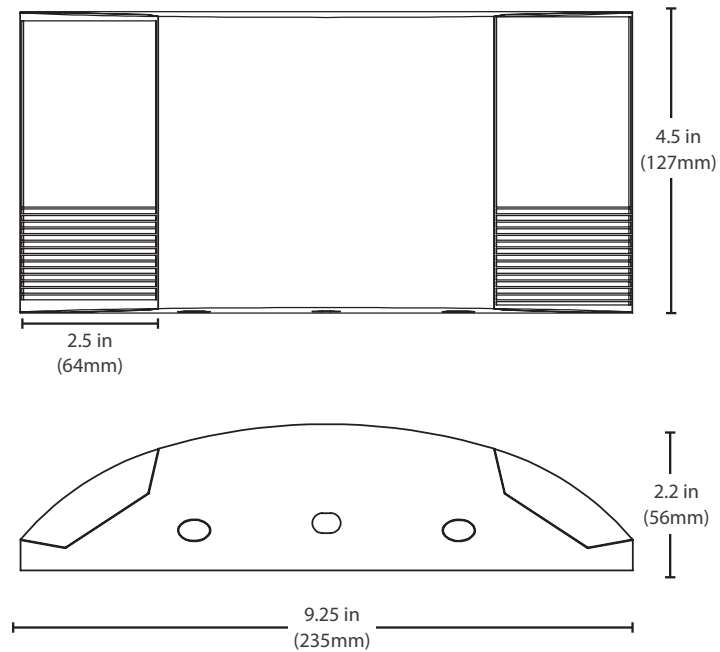
Listings

- Meets FCC Part 15, Subpart B, Class B standards for conducted and radiated emissions

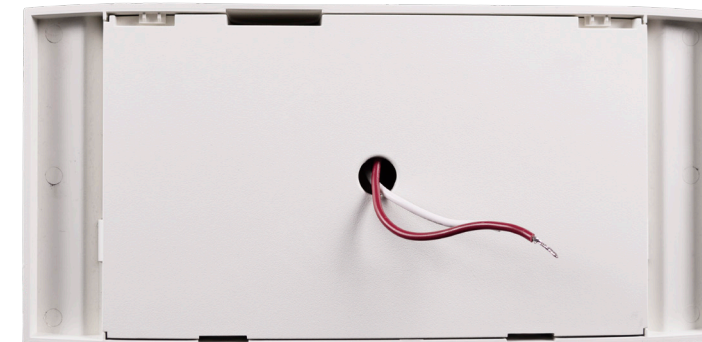
Finish

- White unpainted ABS Plastic

Dimensions



FEATURES



The EML4 has a mounting plate that installs to the wall for easy wiring and installation.



+45°/-10° TILT WITH ±30° ROTATION

The EML4 has adjustable heads to aim light where it is most needed. With +45°/-10° tilt and ±30° rotation to ensure the light is aimed where it is required.

Ordering Information

Series	Version	Voltage	Housing Color
EML4	10 (1.0)	UNV (120/277VAC)	WH (White)

See spec-sheet for additional ordering information.



EML5 · LED MICRO EMERGENCY LIGHT



Compatible with: ERH1|2 & ERHWP1|2 remote heads

PRODUCT INFORMATION

Input Voltage (VAC)	120/277
Input Power (W)	1.15
Delivered Lumens (Lm)	180
Emergency Operation	90 Minutes

APPLICATIONS



The EML5 LED Micro Emergency Light offers a mini sized unit for those tight spaces or more discreet applications. The EML5 Series is available in white and offers universal mounting, a test button with AC indicator, damp location listing, and a remote capable option. With fully adjustable heads, the EML5 Series complements any design application.

Construction

- Injection molded thermoplastic ABS housing.
- UL-94 V-0 Flame rating - Flame Retardant
- Adjustable heads for aiming light where required
- Head tilt: +25°/-90°
- Head rotation: 330°
- Operating temperature: 32°F to 104°F (0°C to 40°C)

Optical System

- Precision engineered Prismatic Lens

Electrical

- Input power 1.15W at 120/277
- Remote output power 2.4W at 3.6VDC
- Remote version supports up to two (2) single or one (1) double 3.6VDC NICOR remote lamps
- Minimum 90 minute capacity on emergency mode

Mounting and Installation

- Easy installation into a standard junction box or conduit
- Universal mounting plate with EZ quick connect
- Damp location rated

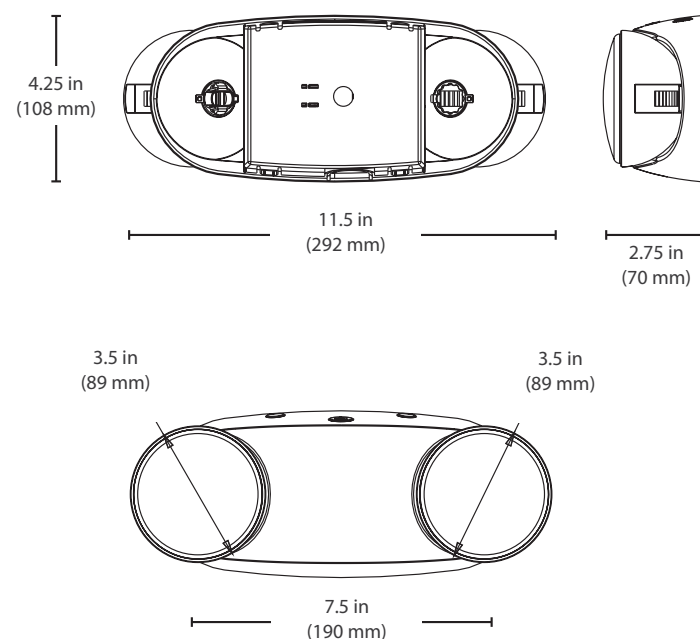
Listings

- Meets FCC Part 15, Subpart B, Class B standards for conducted and radiated emissions

Finish

- White unpainted ABS Plastic

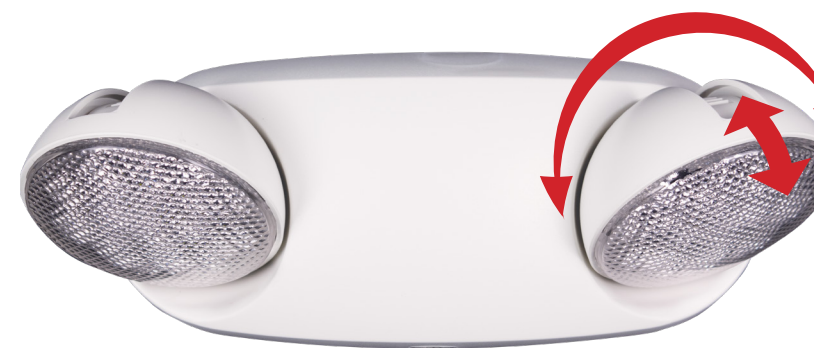
Dimensions



FEATURES



Easy installation with mounting plate for access to wiring can be installed into a standard junction box.



+25°/-90° TILT WITH 330° ROTATION

Adjustable head lamps with +25°/-90° tilt and 330° rotation to aim the light where it is most needed.

Ordering Information

Series	Version	Voltage	Housing Color	Remote Head Option
EML5	10 (1.0)	UNV (120/277VAC)	WH (White)	BLANK (Non-Remote)
				R (Remote Head Capable)

See spec-sheet for additional ordering information.



EML6 · LED ENCLOSED EMERGENCY LIGHT



PRODUCT INFORMATION

Input Voltage (VAC)	120/277
DC Output Power (W)	2.4
Emergency Operation	90 Minutes

APPLICATIONS



The NICOR EML6 Emergency Light provides a code compliant solution for outdoor and wet location requirements. The UL924 Wet Location listed fixture is made from an ABS corrosion-resistant enclosure, making it a durable option. The EML6 Series is available in white and features universal wall mounting with the EZ quick connect. Designed with high output LEDs, the EML6 has exceptional light distribution and a maintenance-free nickel-cadmium battery.

Construction

- Injection molded thermoplastic ABS housing, UL-94-V-0 rated material
- Injection molded clear polycarbonate face

Optical System

- Each head is designed with an optical lens to smooth the beam pattern and minimize pixilation

Electrical

- Operating temperature rating of 5°F to 104°F (-15°C to 40°C)
- Maintenance-free nickel-cadmium battery provides 90-minute emergency operation & recharges in 24 hours
- 120/277VAC Dual Voltage Operation, 60Hz input
- Includes test switch/power indicator light

LED

- LED lamps provide an average luminous flux of 265 lumens

Finish

- White textured thermoplastic housing

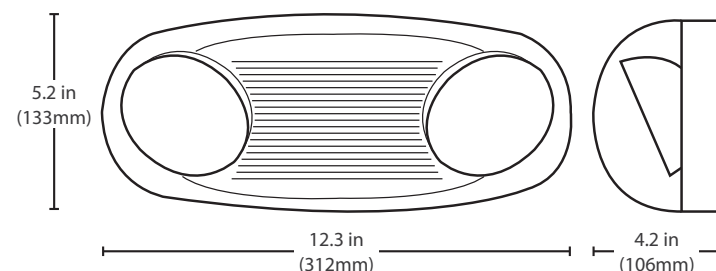
Installation

- Surface wall mounting
- Universal mounting plate with EZ quick connect
- Universal knockout pattern provided on housing for surface mount install

Warranty

- 1-year limited system warranty standard
- Warranty does not cover product failure due to an over-voltage event (power surge)

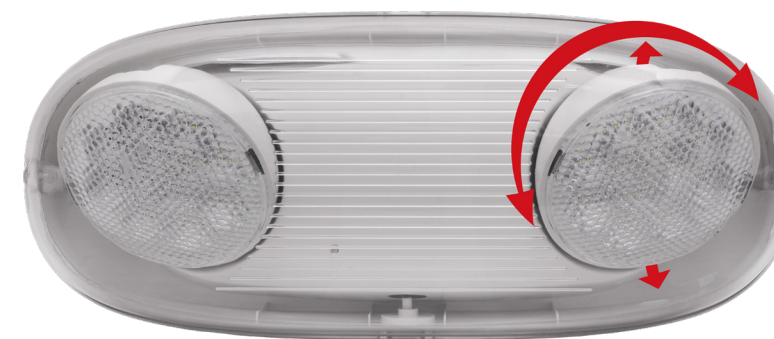
Dimensions



FEATURES



Easy installation with mounting plate for access to wiring compartment. Knock outs provide pattern to be installed into a standard junction box.



100° TILT WITH 100° ROTATION

Adjustable head lamps with 100° tilt and 100° rotation to aim the light where it is most needed.

Ordering Information

Series	Version	Voltage	Housing Color
EML6	10 (1.0)	UNV (120/277VAC)	WH (White)

See spec-sheet for additional ordering information.



EML7 · LED HIGH OUTPUT EMERGENCY LIGHT



PRODUCT INFORMATION

Input Voltage (VAC)	120/277
Input Power (W)	3.5
Delivered Lumens (Lm)	700
Emergency Operation	90 Minutes

APPLICATIONS



NICOR EML7 Series thermoplastic emergency lighting unit is a high output solution for higher mounting requirements. Designed with high output LEDs, the EML7 has exceptional light distribution and a maintenance-free lead-acid battery for long life.

Construction

- Injection molded thermoplastic ABS housing
- Adjustable heads for aiming light where required:
- Head tilt: +25° to -90°
- Head rotation: 330°

Optical System

- Custom lensing for accurate lighting distribution and control

Electrical

- Damp location listed for operating temperature rating of 32°F to 104°F (0°C – 40°C)
- 6V, 4.5Ah Lead-Acid battery provides 90-minute emergency operation, recharges in 24 hours
- 120/277VAC Dual Voltage Operation, 60Hz input
- LED indicator light & self-test push button switch

LED

- 2x3pc LED lamps provide more than 700 lumens

Finish

- White unpainted thermoplastic housing

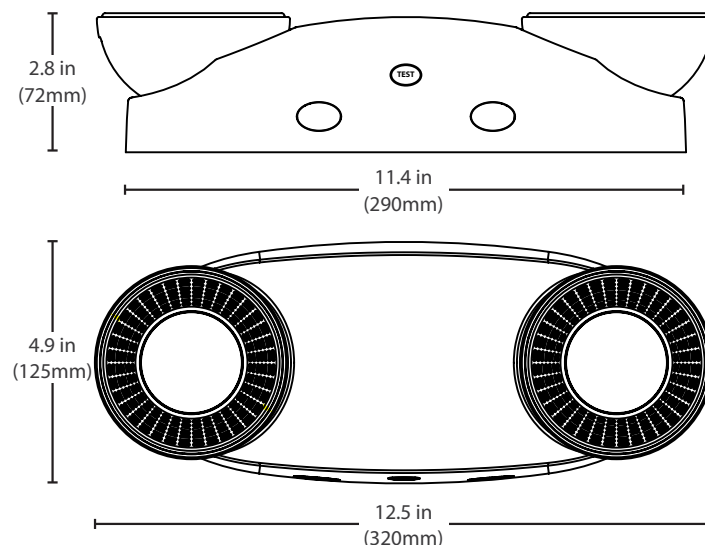
Installation

- Surface wall mounting plate with back entry knockout

Warranty

- 1-year limited system warranty standard
- Warranty does not cover product failure due to an over-voltage event (power surge)

Dimensions



FEATURES



High output solution for higher mounting requirements. Test the 90-minute emergency backup mode with the press of a button.



+25°/-90° TILT WITH 330° ROTATION

Adjustable head lamps with +25°/-90° tilt and 330° rotation to aim the light where it is most needed.

Ordering Information

Series	Version	Voltage	Housing Color
EML7	10 (1.0)	UNV (120/277VAC)	WH (White)

See spec-sheet for additional ordering information.



ERL1|2 · LED EMERGENCY REMOTE HEADS



ERL1

ERL2

Compatible with ECL1 Emergency Lights

PRODUCT INFORMATION

	ERL1	ERL2
Input Voltage (VAC)	9.6	
DC Power (W)	1.2	2.4

APPLICATIONS



The ERL Series LED Remote Heads are compatible with NICOR's ECL1 LED Exit Sign combos and emergency lighting fixtures. The clean, modern design features adjustable LED heads for added light in dark or dimly lit spaces when it's needed the most. Both options can be installed into standard junction boxes for increased functionality and security. Available in single or dual head options.

Construction

- Injection molded thermoplastic ABS housing
- UL-94 V-0 flame rating - Flame Retardant
- Adjustable heads for aiming light where required
- Head tilt: $\pm 45^\circ$
- Head rotation: 330°

Optical System

- Precision engineered Prismatic Lens

Electrical

- Input voltage of 9.6 VDC
- ERL1 1.2W max
- ERL2 2.4W max

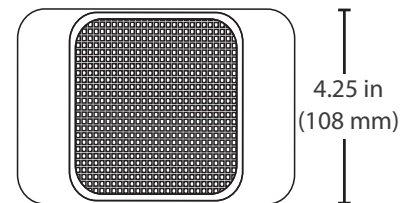
Mounting and Installation

- Easy installation into a standard junction box

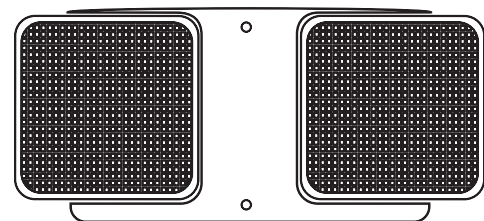
Finish

- White unpainted ABS Plastic

Dimensions

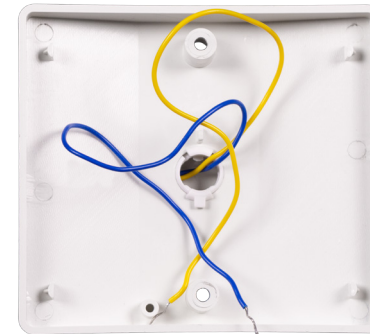


4.75 in
(121 mm)

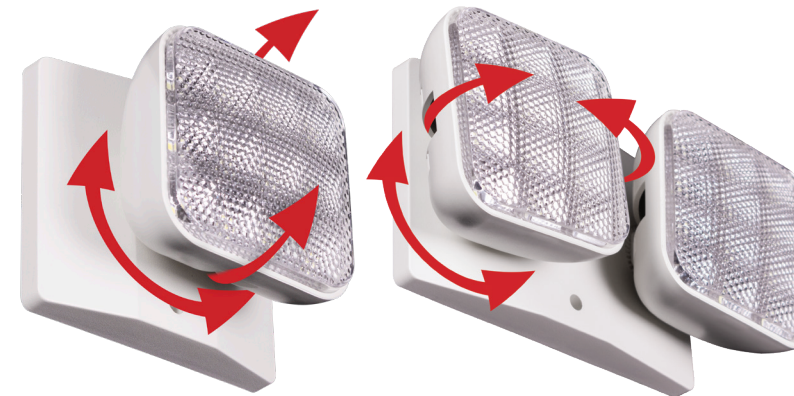


8.75 in
(222 mm)

FEATURES



Color-coded wiring with labels helps make installation a breeze. Includes step-by-step installation instructions.



$\pm 45^\circ$ TILT WITH 330° ROTATION

Both the ERL1 and ERL2 feature adjustable LED heads with $\pm 45^\circ$ tilt and 330° rotation to direct light where it's needed the most.

Ordering Information

Series	Version	Housing Color
ERL1	10 (1.0)	WH (White)
ERL2		

See spec-sheet for additional ordering information.



ERL3|4 • LED EMERGENCY WET LOCATION REMOTE HEADS



ERL3



ERL4

Compatible with ECL1 Emergency Lights

PRODUCT INFORMATION

	ERL3	ERL4
Input Voltage (VAC)	9.6	
Input Power (W)	1.2	2.4



APPLICATIONS

The ERL Series wet location rated LED Remote Heads are designed to work with our ECL1. This sleek, contemporary design offers fully adjustable heads that complement any environment. Available in single or double head options.

Construction

- Weather resistant injection molded thermoplastic ABS housing with powder coated die-cast aluminum base
- UL-94 V-0 Flame rating - Flame Retardant
- Adjustable heads for aiming light where required
- Head tilt: $\pm 70^\circ$
- Head rotation: 360°

Optical System

- Precision engineered Prismatic Lens

Electrical

- Input voltage of 9.6 VDC
- 1.2W max per head

Mounting and Installation

- Easy installation into a standard junction box
- Wet location Rated

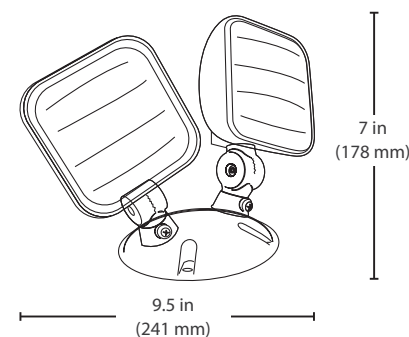
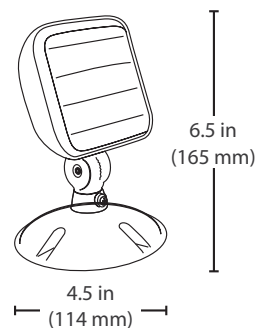
Finish

- Gray unpatented ABS plastic
- Gray powder coated aluminum base

Warranty

- 1-year limited system warranty standard

Dimensions



FEATURES



Color-coded wiring with labels helps make installation a breeze. Includes step-by-step installation instructions.



$\pm 70^\circ$ TILT WITH 360° ROTATION

Both the ERL3 and ERL4 feature adjustable LED heads with $\pm 70^\circ$ tilt and 360° rotation to direct light where it's needed the most.

Ordering Information

Series	Version	Housing Color
ERL3	10 (1.0)	_(Standard Gray)
ERL4		WH (White)*

*Only available for ERL4. See spec-sheet for additional ordering information.



ERH1|2 • LED EMERGENCY LIGHT REMOTE HEADS



ERH1

ERH2

Remote Compatible with EML1, EML3, & EML5

PRODUCT INFORMATION

	ERH1	ERH2
Input Voltage (VAC)	3.6	
Input Power (W)	1.15	1.2
Delivered Lumens (Lm)	113.4	226.8



APPLICATIONS

The ERH Series LED Remote Heads are designed to work with any of NICOR's 3.6VDC LED exit combo and emergency lighting units with remote capability. This sleek, contemporary design offers adjustable heads that complement any environment. The ERH Remote Heads are available in single or double head configurations.

Construction

- Injection molded thermoplastic ABS housing.
- UL-94 V-0 Flame rating - Flame Retardant
- Adjustable heads for aiming light where required
- Head tilt: $\pm 45^\circ$
- Head rotation: 330°

Optical System

- Precision engineered Prismatic Lens

Electrical

- Input voltage of 3.6VDC
- ERH1 1.2W max
- ERH2 2.4W max

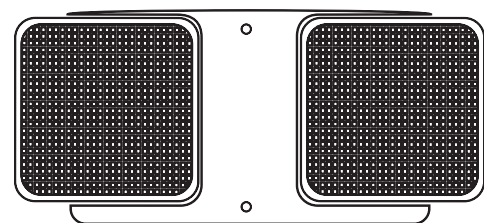
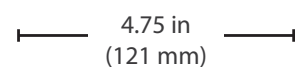
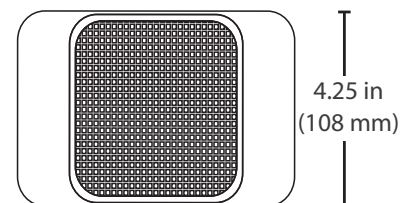
Mounting and Installation

- Easy installation into a standard junction box

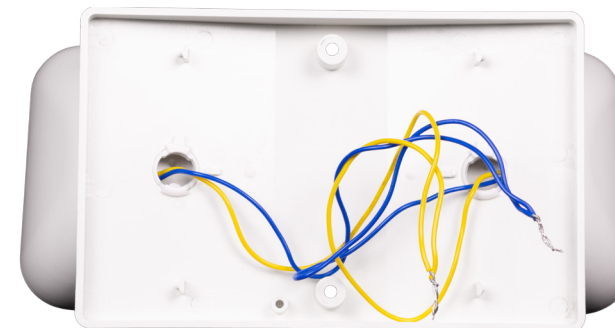
Finish

- White unpainted ABS Plastic

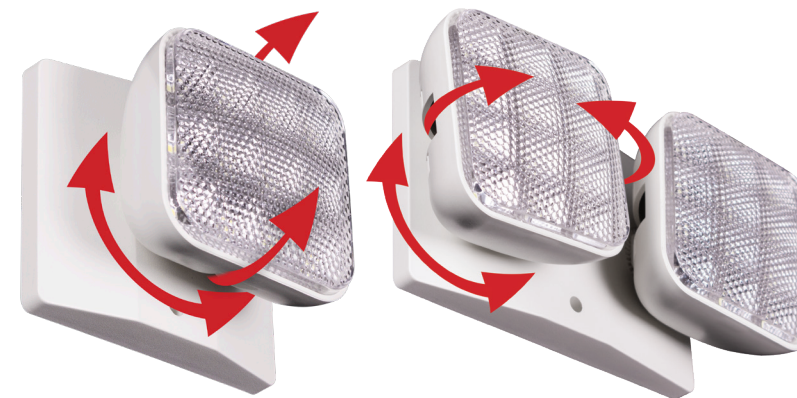
Dimensions



FEATURES



Color-coded wiring with labels helps make installation a breeze. Includes step-by-step installation instructions.



$\pm 45^\circ$ TILT WITH 330° ROTATION

Both the ERH1 and ERH2 feature adjustable LED heads with $\pm 45^\circ$ tilt and 330° rotation to direct light where it's needed the most.

Ordering Information

Series	Version
ERH1	10 (1.0)
ERH2	

See spec-sheet for additional ordering information.



ERHWP • EMERGENCY WEATHER RESISTANT REMOTE HEADS



ERH1WP

ERH2WP

Compatible with EML1, EML3, & EML5

PRODUCT INFORMATION

	ERHWP1	ERHWP2
Input Voltage (VAC)	3.6	
Input Power (W)	1.3	2.6
Delivered Lumens (Lm)	128.3	256.6



APPLICATIONS

The ERHWP Series LED Weather Resistant Remote Heads are designed to work with any of NICOR's 3.6VDC LED emergency lighting units with remote capability in a weather-resistant enclosure. This sleek, contemporary design offers fully adjustable heads that complement any environment. The ERHWP Remote Heads are available in single or double head configurations.

Construction

- Weather resistant injection molded thermoplastic ABS housing with powder coated die-cast aluminum base
- UL-94 V-0 Flame rating - Flame Retardant
- Adjustable heads for aiming light where required
- Head tilt: $\pm 70^\circ$
- Head rotation: 360°

Optical System

- Precision engineered Prismatic Lens

Electrical

- Input voltage of 3.6VDC
- 1.3 W max per head

Mounting and Installation

- Easy installation into a standard junction box
- Wet Location Rated

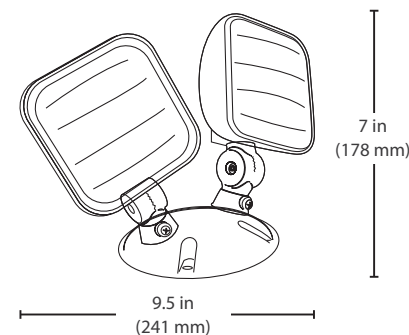
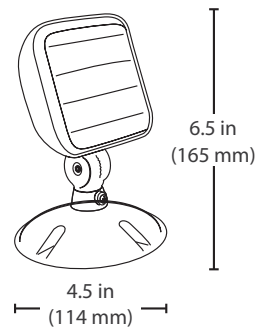
Finish

- Gray unpainted ABS plastic
- Gray powder coated aluminum base

Warranty

- 1-year limited system warranty standard

Dimensions



FEATURES



Color-coded wiring with labels helps make installation a breeze. Includes step-by-step installation instructions.



$\pm 70^\circ$ TILT WITH 360° ROTATION

Both the ERHWP1 and ERHWP2 feature adjustable LED heads with $\pm 70^\circ$ tilt and 360° rotation to direct light where it's needed the most.

Ordering Information

Series	Color
ERHWP1	GR (Gray)
ERHWP2	

See spec-sheet for additional ordering information.



ECL1 · LED EXIT SIGN COMBO



Compatible with: ERL1|2 & ERL3|4 remote heads

PRODUCT INFORMATION

Input Voltage (VAC)	120/277
Output Power (W)	2.4
Delivered Lumens (Lm)	136
Emergency Operation	90 Minutes

APPLICATIONS



The ECL Series LED Emergency Exit Combo features an attractive low profile design to fit any environment. This series is available in white and offers universal mounting with testing button, Ni-Cad battery with remote capabilities, and is damp location listed. The ECL Series generates only 1.2 watts per lamp head, making it a perfect energy savings solution.

Construction

- Injection molded thermoplastic ABS housing
- UL-94 V-0 flame rating - Flame Retardant
- Red or Green text options available
- 6" Letter Height
- Double Face Configuration
- Remote lamp models available

Electrical

- 1.2 Watts per head
- 120/277 Dual Voltage Operation
- LED Indicator Light & Push Button Test Switch
- Minimum 90 minute capacity on emergency mode
- Operating temperature: 32°F to 104°F (0°C to 40°C)

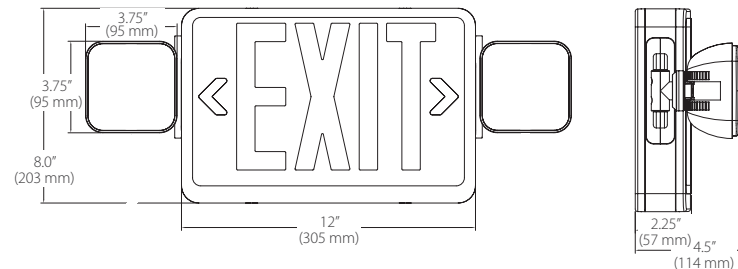
Installation

- Universal mounting plate with EZ quick connect
- Damp Location Rated

Listings

- Meets FCC Part 15, Subpart B, Class B standards for conducted and radiated emissions

Dimensions



FEATURES



The ECL1 installs with a universal mounting plate with EZ quick connect, for a quick and easy installation.

±70° TILT WITH 330° ROTATION & ±90° SWING

The ECL1 has adjustable lamp heads with the exit sign available in green or red.

Ordering Information

Series	Version	Voltage	Housing Color	Lettering
ECL1	10 (1.0)	UNV (120/277VAC)	WH (White)	R-2 (Red)
				G-2 (Green)
				R-2-R (Red w/Remote)
				G-2-R (Green w/Remote)

See spec-sheet for additional ordering information.



ECL1-Select · LED EXIT SIGN COMBO



Compatible with: ECL120RH & ECL120RHWP

PRODUCT INFORMATION

Input Voltage (VAC)	120/277
Input Power (W)	3.8 (Standard) 4 (Remote)
Delivered Lumens (Lm)	193
Emergency Operation	90 Minutes

APPLICATIONS



The ECL1-Select LED Emergency Exit Sign Combo features field-selectable red or green lettering. With included templates for both colors, simply install the slide color you need and flip the LED switch inside to match. The ECL1 is offered in white and features a universal mounting bracket for simple installation anywhere, and 90-minute emergency operation with integrated test button. This series is available in both a standard and remote-capable option to use with Remote Heads, available separately.

Construction

- Injection molded thermoplastic ABS housing
- UL-94 V-0 flame rating - Flame Retardant
- Field-Selectable red and green LED light and lettering
- 6" Letter Height
- Single or Double face configuration
- Remote-capable option available

Electrical

- 1.9 Watts per head
- 120/277 Dual Voltage Operation, 60Hz input
- LED Indicator Light & Push Button Test Switch
- Integrated Ni-MH battery
- 90-minute emergency operation
- Operating temperature: 32°F to 104°F (0°C to 40°C)
- Damp Location Rated

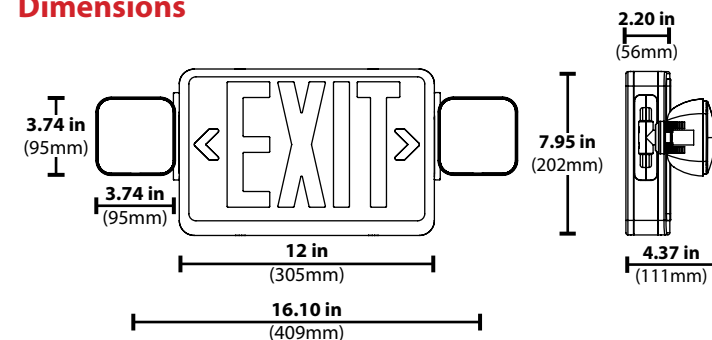
Installation

- Universal mounting plate with EZ quick connect

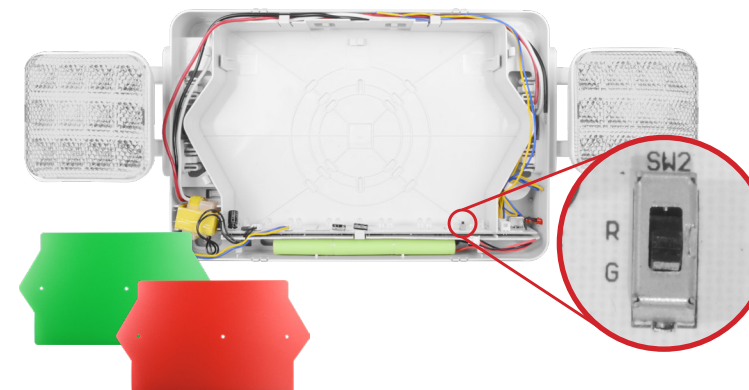
Listings

- Meets FCC Part 15, Subpart B, Class B standards for conducted and radiated emissions

Dimensions



FEATURES



The ECL1-Select features field-selectable Red and Green lettering.

POWER UP TO TWO LED REMOTE HEADS IN EMERGENCY MODE



Ordering Information

Series	Version	Voltage	Housing Color	Lettering	No. of Sides	Remote
ECL1	20 (2.0)	UNV (120/277VAC)	WH (White)	S-2 (Red & Green Select)	2	_ (None)
						R (Remote)

See spec-sheet for additional ordering information.

ECL2 · SLIM LED EXIT SIGN COMBO



PRODUCT INFORMATION

Input Voltage (VAC)	120/277
Input Power (W)	3.3
Delivered Lumens (Lm)	156
Emergency Operation	90 Minutes

APPLICATIONS



The NICOR ECL2 Series presents a very slim design, only 1" deep! This UL924 code compliant solution for exit and emergency requirements offers high output and adjustable LED heads to deliver direct illumination for path of egress. The evenly illuminated exit sign is available with red or green stencils. The ECL2 Series offers flexible installation for surface ceiling or wall mount options along with field removable chevrons for universal configuration based on your application's directional needs. Supplied with two faces for single or double face installation.

Construction

- Injection molded thermoplastic ABS housing, UL-94-V-0 rated material

Electrical

- Operating temperature rating of 5°F to 104°F (-15°C to 40°C)
- Maintenance-free nickel-cadmium battery provides 90-minute emergency operation and recharges in 24 hours
- 120/277VAC Dual voltage operation, 60Hz input
- Fully-illuminated 6" letter height with 3/4" stroke
- Includes test switch/power indicator light

Finish

- White textured thermoplastic housing
- Available with either red or green lettering

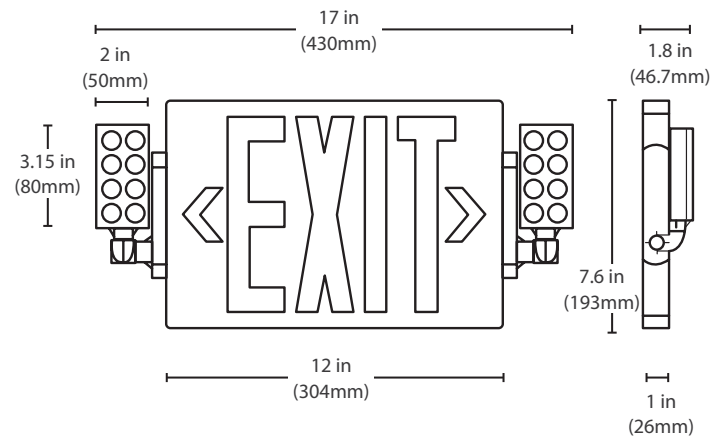
Installation

- Surface ceiling or wall mount installation options
- Snap-in mounting bracket
- Universal knockout patterns provided on housing for surface mount install
- Field-installable, removable chevron directional indicators for all configurations
- Supplied with two faces for single or double face installation

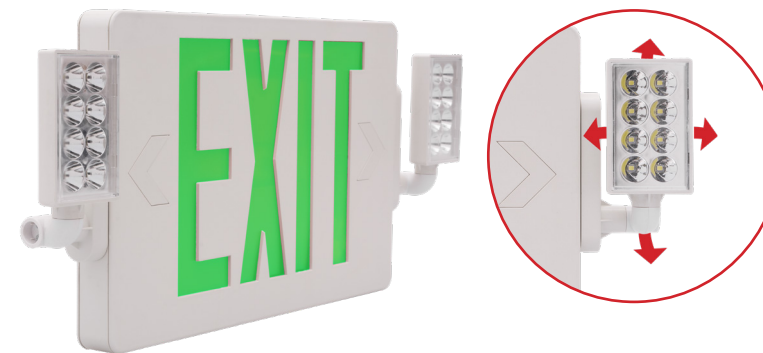
Warranty

- 1-year limited system warranty standard
- Warranty does not cover product failure due to an over-voltage event (power surge)

Dimensions



FEATURES



The ECL2's very slim design installs with a universal mounting plate with an EZ quick connect for easy ceiling or wall mount installations.

330° TILT WITH 200° ROTATION

The ECL2 has adjustable lamp heads with 330° tilt and 200° rotation. Available in green or red.

Ordering Information

Series	Version	Voltage	Housing Color	Letter Color	Number of Faces
ECL2	1 (1.0)	UNV (120/277VAC)	WH (White)	G (Green) R (Red)	2 (Single & Double)

See spec-sheet for additional ordering information.



ECL3 · SELF-DIAGNOSTIC LED EXIT SIGN COMBO



Compatible with ERH3SD, ERH4SD, ERH3WPSD, and ERH4WPSD

PRODUCT INFORMATION

- Input Voltage (VAC) 120/277
- Input Power (W) 3.3
- Emergency Operation 90 Minutes

APPLICATIONS



The NICOR ECL3 Series provides self diagnostic testing and reporting in an Exit/Emergency combo. This UL924 code compliant solution for exit and emergency requirements offers high output and adjustable LED heads to deliver direct illumination for path of egress. The evenly illuminated exit sign is available with red or green stencils. The ECL3 Series offers flexible installation for surface ceiling or wall mount options along with field removable chevrons for universal configuration based on your application's directional needs. Supplied with two faces for single or double face installation.

Construction

- Injection molded thermoplastic ABS housing
- UL-94 5VA Flame rating
- Test switch and charge/status indicator
- Adjustable heads for aiming light where required.

Optical System

- Uniform lighting with specially designed plastic diffuser to prevent shadowing
- Light engine provides consistently bright and even EXIT legend illumination with red or green LEDs

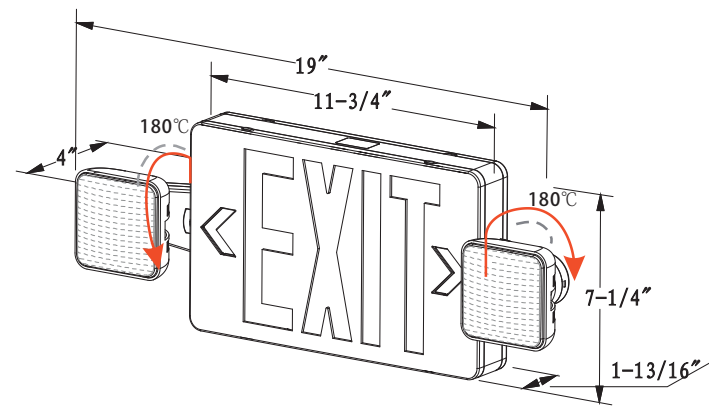
Electrical

- Operating temperature rating of 50°F to 104°F (10°C to 40°C)
- Remote version supports up to two (2) 3.6VDC NICOR remote lamps
- 90 minute capacity
- Fully-illuminated 6" letter height with 3/4" stroke
- Self Diagnostic feature automatically tests and reports on fixture status

Installation

- Surface, ceiling or wall mount installation options
- Snap-in mounting bracket
- Universal mounting plate with EZ quick connect
- Universal knockout pattern provided on housing for surface mount install
- Field-installable, removable chevron directional indicators for all configurations
- Supplied with two faces for single or double face installation

Dimensions



FEATURES



Test the 90-minute Emergency Backup mode with the press of a button.

POWER UP TO TWO 3.6V LED REMOTE HEADS IN EMERGENCY MODE



Ordering Information

Series	Version	Voltage	Housing Color	Letter Color	Number of Faces	Remote Capable	Self-Diagnostic
ECL3	10 (1.0)	UNV (120/277VAC)	WH (White)	G (Green)	2 (Single and Double)	BLANK (Non-Remote)	SD
				R (Red)		R (Remote Head Capable)	

See spec-sheet for additional ordering information.



ECL5 · WET-LOCATION LED EXIT SIGN COMBO



PRODUCT INFORMATION

	RED	GREEN
Input Voltage (VAC)	120/277	
Input Power (W)	2.9 (120V) 3.8 (277V)	2.94 (120V) 3.5 (277V)
Delivered Lumens (Lm)	213	
Emergency Operation	90 minutes	



APPLICATIONS

The NICOR ECL5 combo exit and emergency provides a code compliant solution for outdoor and wet location requirements. The UL924 Wet Location listed fixture is made from an ABS corrosion resistant enclosure, making it a durable option. The ECL5's emergency LED heads offer high output and adjustable LED heads to deliver direct illumination for path of egress. The evenly illuminated exit sign is available with red or green stencils. The maintenance free nickel-metal hydride battery provides 90 minutes of back up power. The ECL5 Series offers flexible installation for surface wall or end mount options along with field removable chevrons for universal configuration based on your application's directional needs.

Construction

- Injection molded thermoplastic ABS housing, UL-94-V-0 rated material
- Injection molded clear polycarbonate face

Electrical

- Operating temperature rating of 5°F to 104°F (-15°C to 40°C)
- Maintenance-free nickel-metal hydride battery provides 90-minute emergency operation and recharges in 24 hours
- 120/277VAC Dual voltage operation, 60Hz input
- Fully-illuminated 6" letter height with 3/4" stroke
- Includes test switch/power indicator light

Finish

- White textured thermoplastic housing
- Available with either red or green lettering

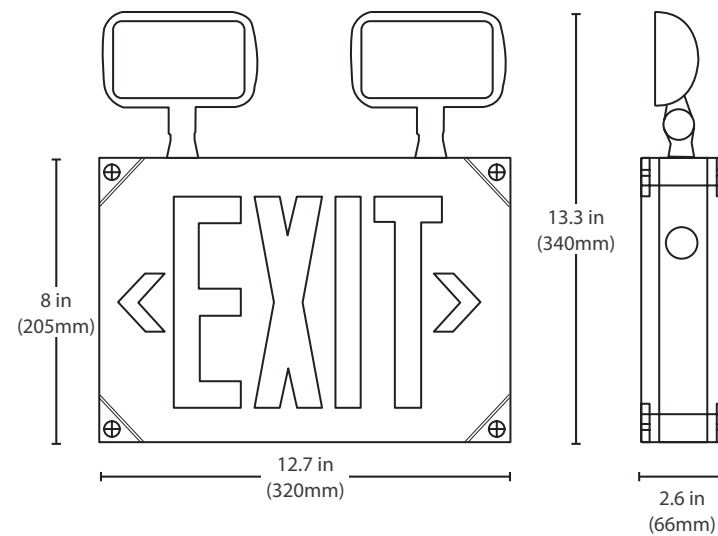
Installation

- Surface wall or end mount installation options
- Universal mounting plate with EZ quick connect
- Field-installable, removable chevron directional indicators for all configurations
- Supplied with two faces for single or double face installation

Warranty

- 1-year limited system warranty standard
- Warranty does not cover product failure due to an over-voltage event (power surge)

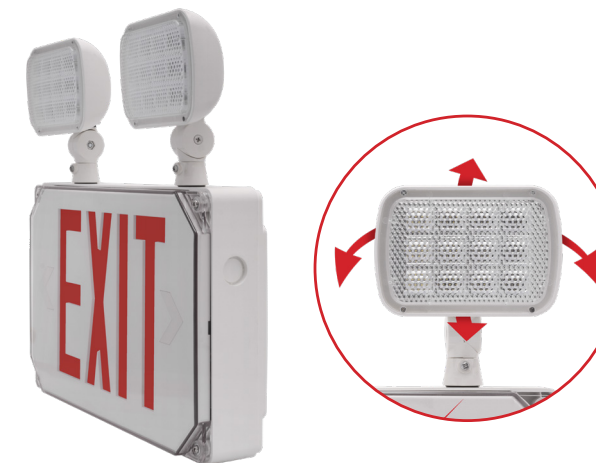
Dimensions



FEATURES



The ECL5 installs with a universal mounting plate with EZ quick connect, for a quick and easy installation.



120° TILT WITH 360° ROTATION

The ECL5 has adjustable lamp heads with the exit sign available in green or red.

Ordering Information

Series	Version	Voltage	Housing Color	Letter Color	Number of Faces
ECL5	1 (1.0)	UNV (120/277VAC)	WH (White)	G (Green) R (Red)	2 (Single & Double)

See spec-sheet for additional ordering information.



EXL1 · LED EXIT SIGN



PRODUCT INFORMATION

- Input Voltage (VAC) 120/277
- Input Power (W) 3.8
- Emergency Operation 90 Minutes

APPLICATIONS



The EXL1 Series is a thermoplastic LED exit that combines a low-profile, contemporary design with the performance and dependability of LED technology in an affordable package. This series is available in white and offers universal mounting with testing button, Ni-Cad battery with low-voltage disconnection preventing deep discharge damage to the battery, and is also damp location listed. The EXL1 Series is a perfect modern-day, LED design for your project.

Construction

- Injection molded thermoplastic ABS housing
- UL-94 V-0 flame rating - Flame Retardant
- Red or Green text options available
- 6" Letter Height
- Supplied with two faces for single or double face installation

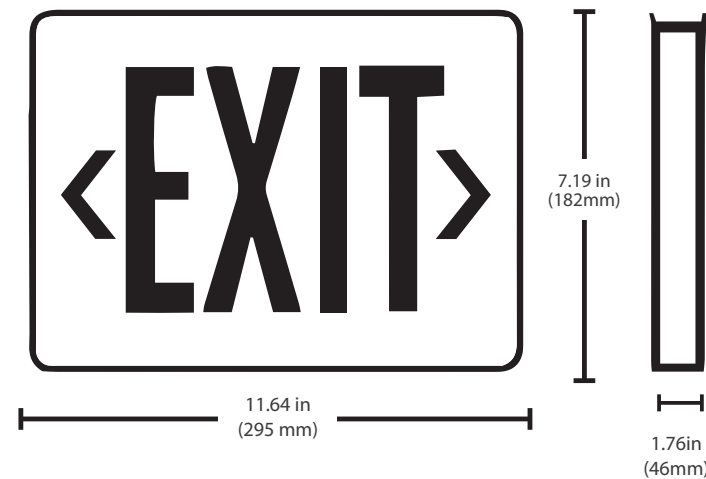
Electrical

- 120/277 Dual Voltage Operation
- LED Indicator Light & Push Button Test Switch
- Minimum 90 minute capacity on emergency mode
- Operating temperature: 32°F to 104°F (0°C to 40°C)

Installation

- Universal mounting plate with EZ quick connect
- Damp Location Rated

Dimensions



FEATURES



The EXL1 has an easily accessible test button outside the fixture and can be installed with a universal mounting plate.



The EXL1 Exit Sign comes in green or red lettering and sits flush to its surface when installed.

Ordering Information

Series	Version	Voltage	Housing Color	Lettering
EXL1	10 (2.0)	UNV (120/277VAC)	WH (White)	R-2 (Red)
				G-2 (Green)

See spec-sheet for additional ordering information.



EXL1-Select · LED EXIT SIGN



PRODUCT INFORMATION

- Input Voltage (VAC) 120/277
- Input Power (W) 1.0
- Emergency Operation 90 Minutes

APPLICATIONS



The EXL1-Select LED Emergency Exit Sign features field-selectable red and green lettering. With included templates for both colors, simply install the preferred slide color and flip the LED switch inside to match. The EXL1 is offered in white and features a universal mounting bracket for simple installation anywhere. An integrated Ni-MH battery with low-voltage disconnect provides 90-minute emergency operation and includes a built-in test button. The EXL1-Select is the ideal low-energy choice for multifamily, commercial, and retail settings.

Construction

- Injection molded thermoplastic ABS housing
- UL-94 V-0 flame rating - Flame Retardant
- Field-Selectable Red and Green LED light and lettering
- 6" letter height with 3/4" stroke
- Supplied with faceplates for single or double face configuration

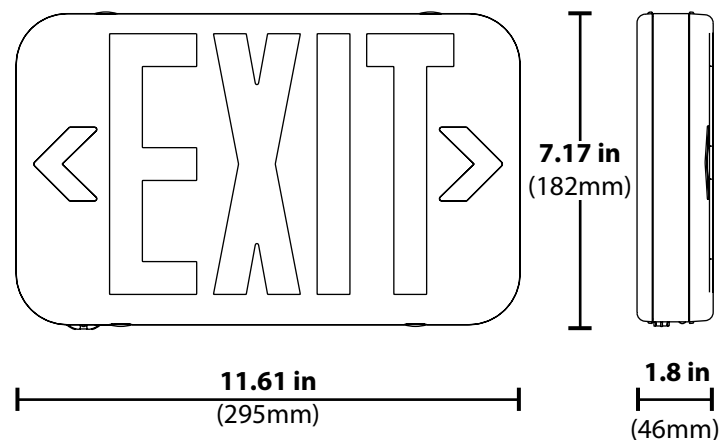
Electrical

- 120/277 dual voltage operation
- LED indicator Light & push button test switch
- Minimum 90 minute capacity on emergency mode
- Operating temperature: 32°F to 104°F (0°C to 40°C)
- Damp Location Rated

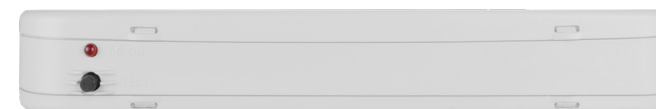
Installation

- Universal mounting plate with EZ quick connect

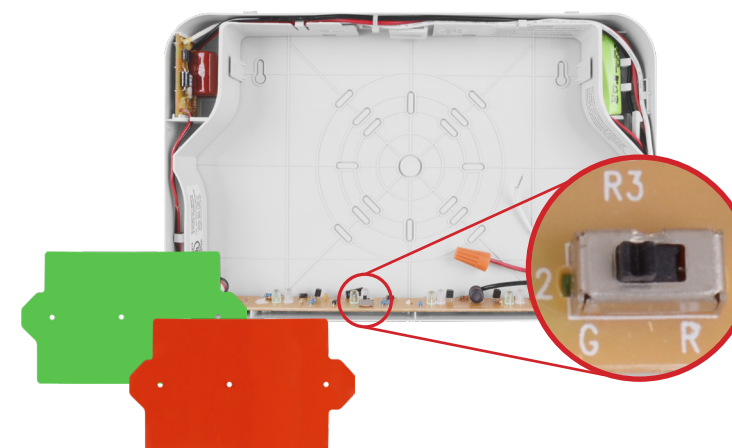
Dimensions



FEATURES



The EXL1-Select features an LED indicator light with push-button test switch



The EXL1-Select features field-selectable Red and Green lettering

Ordering Information

Series	Version	Voltage	Housing Color	Lettering	No. of Sides
EXL1	20 (2.0)	UNV (120/277VAC)	WH (White)	S-2 (Red & Green Select)	2

See spec-sheet for additional ordering information.



EXL2-10 · LED EDGE LIT EXIT SIGN



CLEAR

MIRROR

PRODUCT INFORMATION

- Input Voltage (VAC) 120/277
- Input Power (W) 2.3
- Emergency Operation 90 Minutes

APPLICATIONS



The EXL2-10 LED Edge Lit Exit Sign presents a contemporary design with ease of installation and dependability in mind. Constructed of impact-resistant, optically clear acrylic, choose from clear single-faced or mirrored double-faced panels. High output LEDs deliver an indirect, evenly illuminated edge-lit exit sign with exceptional light distribution and a maintenance-free nickel-cadmium battery for long life. The EXL2-10 Series offers flexible installation for surface ceiling, wall or end mount options along with field adjustable chevrons for universal configuration based on your application's directional needs.

Construction

- Specification grade aluminum extrusion design
- Optically clear, impact resistant acrylic panels with lettering
- Single or double faced configurations available

Electrical

- Maintenance-free NiCad battery provides 90-minute emergency operation
- Low voltage disconnect eliminates deep discharge
- Brown-out, short circuit and voltage surge protection
- LED Indicator Light & Self-Test Push Button Switch
- UL Listed to Standard 924 (Emergency Lighting)
- NFPA 101 (Life Safety Code) compliant
- NFPA 70 (National Electrical Code) compliant

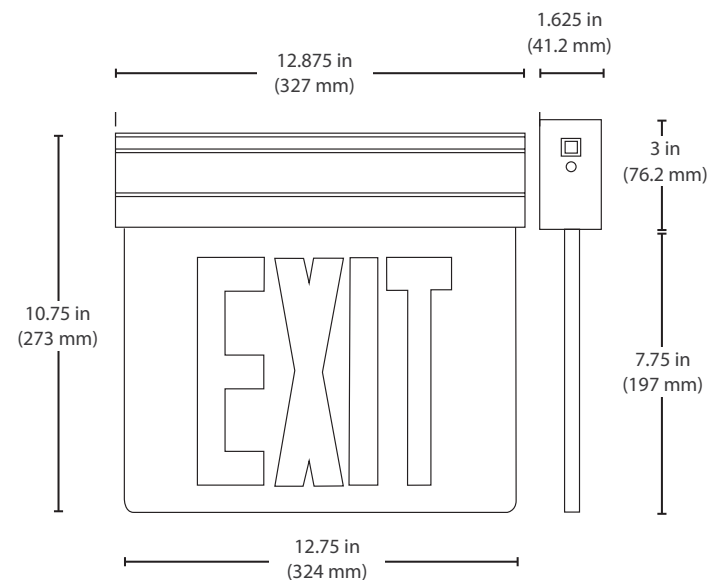
Installation

- No special tools required
- Mounting plate allows for surface ceiling, wall or end mount options
- Field-installable, removable chevron directional indicators for all configurations
- Chevron mounting template simplifies directional application
- For installations where power surge may be possible, NICOR recommends installing additional surge protection at the electrical distribution panel
- Damp Location Rated

Finish

- Satin finished aluminum housing
- Available with either clear (single faced) or mirrored backing (double face)
- Available with either green or red lettering

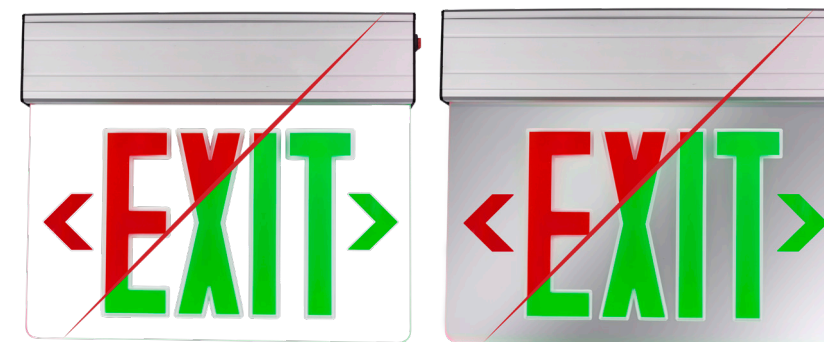
Dimensions



FEATURES



The EXL2-10 has an easily accessible test button outside the fixture along with LED ready light. Removable chevron directional indicators help simplify the installation.



The EXL2-10 does not require any special tools. Mounting the EXL2-10 into the ceiling, or wall is easy with the included mounting plate.

Ordering Information

Series	Version/Voltage	Housing Color	Backing Material	Letter Color	Number of Sides
EXL2	10UNVAC (1/120/277V, AC ONLY Version)	AL (Aluminum)	CL (Clear-single only)	G (Green)	1 (Single)
	10UNV (1/120/277VAC, EM ONLY Version)		MR (Mirrored-double only)	R (Red)	2 (Double)

See spec-sheet for additional ordering information.



EXL220 · LED EDGE LIT EXIT SIGN



CLEAR



MIRROR

PRODUCT INFORMATION

Input Voltage (VAC)	120/277
Input Power (W)	2.3
Emergency Operation	90 Minutes



APPLICATIONS

The EXL220 LED Edge Lit Exit Sign features a modern design with ease of installation in mind. The pivoting driver case allows for wall, ceiling, stairwell, or end mount installation all in one dependable package. Constructed of impact-resistant, optically clear acrylic, choose from clear single-faced or mirrored double-faced panels. High output LEDs deliver an indirect, evenly illuminated edge-lit exit sign with exceptional light distribution and a maintenance-free nickel-cadmium battery for long life. The EXL220 Series offers field adjustable chevrons for universal configuration based on your application's directional needs.

Construction

- Specification grade aluminum extrusion design
- Driver case pivots ±90° around center for wall, ceiling, and stairwell installation
- Optically clear, impact resistant acrylic panels with lettering
- Single or double faced configurations available

Electrical

- LED light engine provides consistently bright, even EXIT legend illumination
- 120/277 Dual Voltage Operation, 60Hz input
- Fully-illuminated 6" letter height with 3/4" stroke
- Low voltage disconnect eliminates deep discharge
- Brown-out, short circuit and voltage surge protection
- LED Indicator Light & Self-Test Push Button Switch
- Operating temperature: 32°F to 104°F (0°C to 40°C)

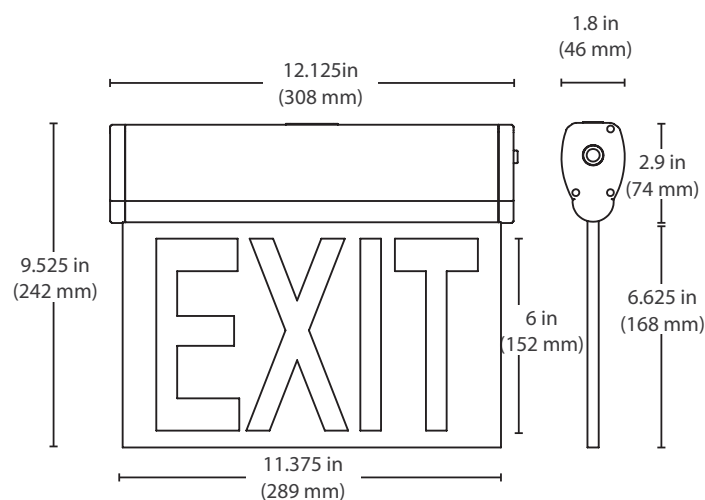
Mounting and Installation

- Mounting plate allows for J box mounting with ceiling, wall or end-mount applications
- Field-installable, removable chevron directional indicators (with mounting template) for all configurations
- For installations where power surge may be possible, NICOR recommends installing additional surge protection at the electrical distribution panel
- Damp Location Rated

Finish

- Satin finished aluminum housing
- Available with clear (single faced) or mirrored backing (double face)
- Available with green or red lettering

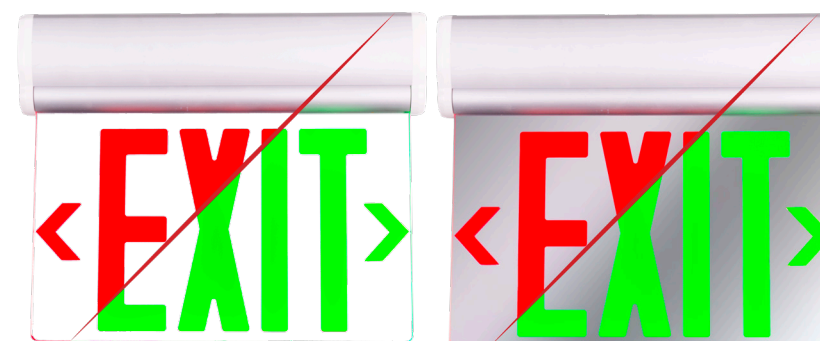
Dimensions



FEATURES



The EXL220 has a slick design with an easily accessible test button outside the fixture along with LED ready light.



Removable chevron directional indicators help simplify the installation.

Ordering Information

Series	Version/Voltage	Backing Material	Letter Color	Number of Sides
EXL2	20UNV (Version 2/120/277VAC)	CL (Clear-single only)	G (Green)	1 (Single)
		MR (Mirrored-double only)	R (Red)	2 (Double)

See spec-sheet for additional ordering information.



EXL2-SD · SELF DIAGNOSTIC LED EDGE LIT EXIT SIGN



CLEAR



MIRROR

PRODUCT INFORMATION

Input Voltage (VAC)	120/277
Input Power (W)	2.3
Emergency Operation	90 Minutes



APPLICATIONS

The EXL2-SD Series provides self diagnostic testing and reporting in a contemporary design with ease of installation and dependability in mind. This UL924 compliant sign is constructed of a sleek aluminum housing with clear single-faced or mirrored double-faced panels. High output LEDs deliver an indirect, evenly illuminated edge-lit exit sign with exceptional light distribution and maintenance-free nickel-cadmium battery for long life. The EXL2-SD Series offers flexible installation for surface ceiling, wall or end mount options along with field adjustable chevrons for universal configuration based on your application's directional needs.

Construction

- Specification grade aluminum extrusion design
- Optically clear, impact resistant acrylic panels with lettering
- Single or double faced configurations available
- Test switch and charge/status indicator

Optical System

- LED light engine provides consistently bright, even EXIT legend illumination with red or green LEDs

Electrical

- 120/277VAC Dual Voltage Operation, 60Hz input
- Fully-illuminated 6" letter height with 3/4" stroke
- Operating temperature rating of 50°F to 104°F (10°C to 40°C)
- 90 minute capacity
- Self Diagnostic feature automatically tests and reports on fixture status.

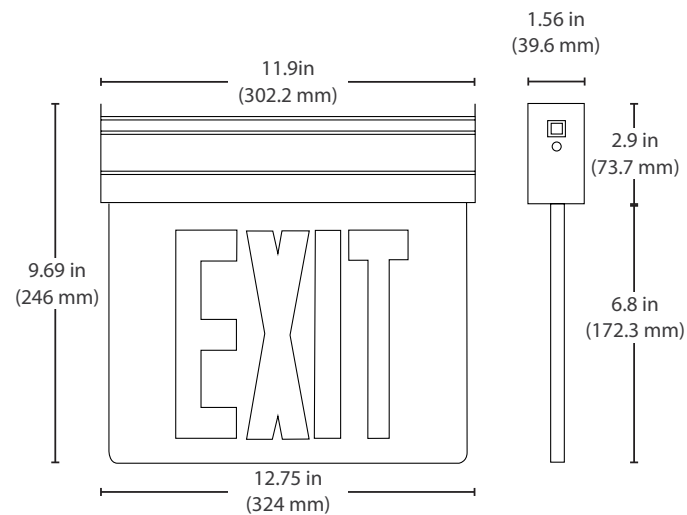
Finish

- Satin finished aluminum housing
- Available with either clear (single faced) or mirrored backing (double face)
- Available with either green or red lettering

Installation

- Mounting plate allows for surface ceiling, wall or end mount options
- Field-installable, removable chevron directional indicators for all configurations
- Chevron mounting template simplifies directional application
- For installations where power surge may be possible, NICOR recommends installing additional surge protection at the electrical distribution panel

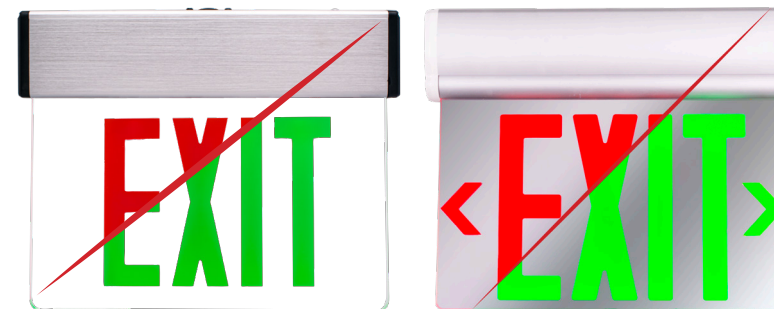
Dimensions



FEATURES



The EXL2-SD has a slick design with an easily accessible test button outside the fixture along with LED ready light.



The EXL2-SD includes field adjustable chevrons for universal configuration based on your application's directional needs.

Ordering Information

Series	Version	Housing Finish	Backing Material	Letter Color	Number of Faces	Self Diagnostic
EXL5	10UNV (Version 1 - 120/277VAC)	AL (Aluminum)	CL (Clear-single only)	G (Green)	1 (Single)	SD (Self Diagnostic)
			MR (Mirrored-double only)	R (Red)	2 (Double)	

See spec-sheet for additional ordering information.



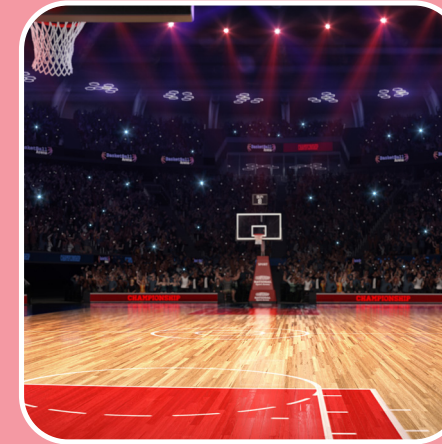
EXL4 · SLIM LED EXIT SIGN



PRODUCT INFORMATION

Input Voltage (VAC)	120/277
Input Power (W)	1.6
Emergency Operation	90 Minutes

APPLICATIONS



The EXL4 LED Exit Sign presents a very slim design, only 1" deep! High output LEDs deliver an indirect, evenly illuminated exit sign and a maintenance-free nickel-cadmium battery for long life. The EXL4 Series offers flexible installation for surface ceiling, wall or end mount options along with field adjustable chevrons for universal configuration based on your application's directional needs.

Construction

- Injection molded thermoplastic ABS housing, UL-94-V-0 rated material

Optical System

- Uniform lighting with specially designed plastic diffuser to prevent shadowing

Electrical

- Operating temperature rating of 5°F to 104°F (-15°C to 40°C)
- Maintenance-free nickel-cadmium battery provides 90-minute emergency operation and recharges in 24 hours
- 120/277VAC Dual voltage operation, 60Hz input
- Fully-illuminated 6" letter height with 3/4" stroke
- Includes test switch/power indicator light

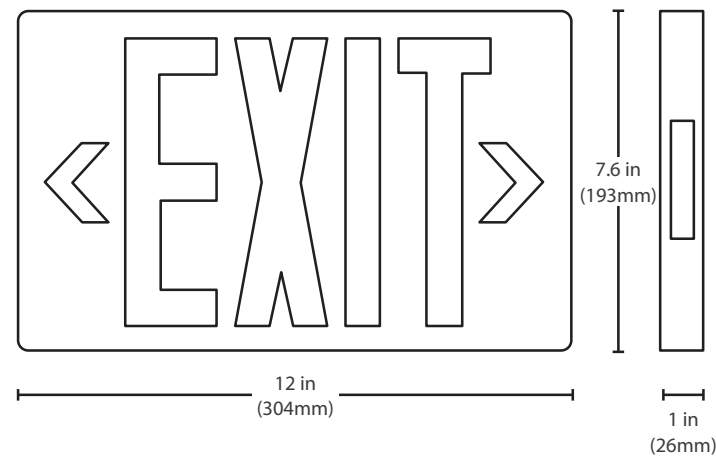
Finish

- White textured thermoplastic housing
- Available with either red or green lettering

Installation

- Surface ceiling, wall or end mount installation options
- Snap-in mounting bracket
- Universal mounting plate with EZ quick connect
- Field-installable, removable chevron directional indicators for all configurations
- Supplied with two faces for single or double face installation

Dimensions



FEATURES



EXL4 Series presents a very slim design, only 1 inch deep



The EXL4 Series offers flexible installation for surface ceiling, wall or end mount options along with field adjustable chevrons for universal configuration.

Ordering Information

Series	Version	Voltage	Housing Color	Letter Color	Number of Faces
EXL4	1 (1.0)	UNV (120/277VAC)	WH (White)	G (Green) R (Red)	2 (Single & Double)

See spec-sheet for additional ordering information.



EXL5 · WET LOCATION LED EXIT SIGN



PRODUCT INFORMATION

	RED	GREEN
Input Voltage (VAC)	120/277	
Input Power (W)	2.9 (120V) 3.6 (277V)	2.74 (120V) 3.5 (277V)
Emergency Operation	90 minutes	



APPLICATIONS

The EXL5 Exit Sign provides a code compliant solution for outdoor and wet location requirements. The UL924 Wet Location listed fixture is made from an ABS corrosion-resistant enclosure, making it a durable option. The evenly illuminated exit sign is available with red or green stencils. The maintenance free nickel-cadmium battery provides 90 minutes of back up power. The EXL5 Series offers flexible installation for surface ceiling, wall or end mount options along with field removable chevrons for universal configuration based on your application's directional needs.

Construction

- Injection molded thermoplastic ABS housing, UL-94-V-0 rated material
- Injection molded clear polycarbonate face

Optical System

- Uniform lighting with specially designed plastic diffuser to prevent shadowing

Electrical

- Operating temperature rating of 5°F to 104°F (-15°C to 40°C)
- Maintenance-free nickel-cadmium battery provides 90-minute emergency operation and recharges in 24 hours
- 120/277VAC Dual voltage operation, 60Hz input
- Fully-illuminated 6" letter height with 3/4" stroke
- Includes test switch/power indicator light

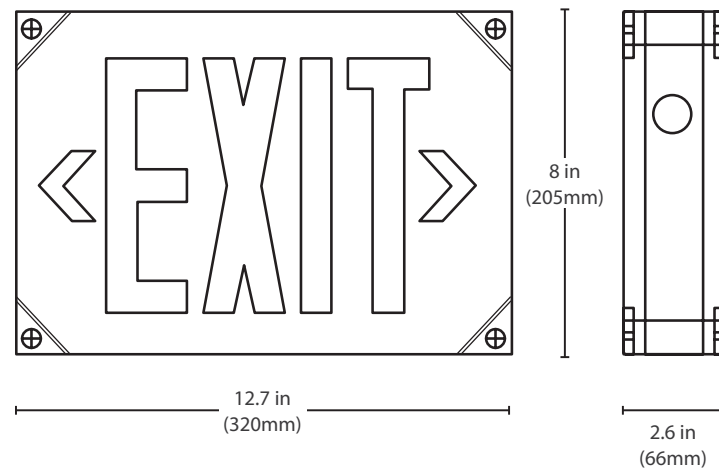
Finish

- White textured thermoplastic housing
- Available with either red or green lettering

Installation

- Surface ceiling, wall or end mount installation options
- Universal mounting plate with EZ quick connect
- Universal knockout pattern provided on housing for surface mount install
- Field-installable, removable chevron directional indicators for all configurations
- Supplied with two faces for single or double face installation

Dimensions



FEATURES



EXL5 comes with an easily accessible test button outside the fixture.



The EXL5 Series offers flexible installation for surface ceiling, wall or end mount options along with field adjustable chevrons for universal configuration.

Ordering Information

Series	Version	Voltage	Housing Color	Letter Color	Number of Faces
EXL5	1 (1.0)	UNV (120/277VAC)	WH (White)	G (Green) R (Red)	2 (Single & Double)

See spec-sheet for additional ordering information.



EXL6 · CAST ALUMINUM SELF-DIAGNOSTIC LED EXIT SIGN



PRODUCT INFORMATION

- Input Voltage (VAC) 120/277
- Input Power (W) 5
- Emergency Operation 90 Minutes

APPLICATIONS



The EXL6 Exit Sign is a classic, robust design that offers self diagnostic testing and reporting. This UL924 compliant sign is constructed of a cast-aluminum housing and faceplates. High output LEDs deliver an evenly illuminated exit sign and the maintenance-free, nickel-cadmium battery provides reliable performance and long life. The EXL6 Series offers flexible installation for surface ceiling, wall or end mount options along with field adjustable chevrons for universal configuration based on your application's directional needs.

Construction

- Cast-aluminum housing and faceplates
- Single face configuration
- Test switch and charge/status indicator

Optical System

- LED light engine provides consistently bright, even EXIT legend illumination with red or green LEDs

Electrical

- 120/277VAC Dual Voltage Operation, 60Hz input
- Fully-illuminated 6" letter height with 3/4" stroke
- Operating temperature rating of 50°F to 104°F (10°C to 40°C)
- Premium grade Ni-Cad rechargeable battery
- 90 minute capacity
- Self Diagnostic feature automatically tests and reports on fixture status.

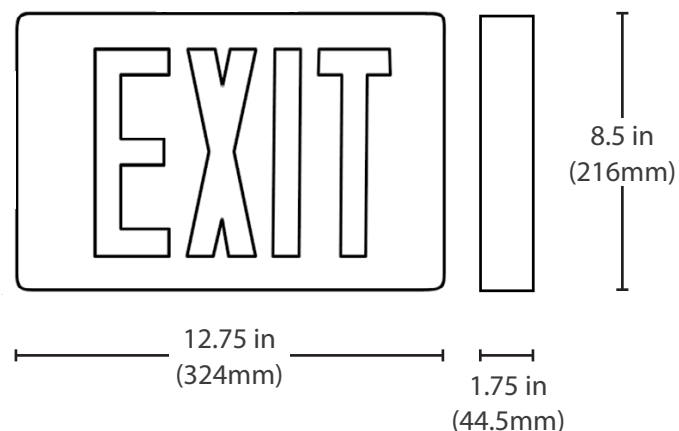
Finish

- Brushed aluminum faceplate with black housing
- White faceplate with brushed aluminum housing
- White housing with white faceplates
- Available with red or green lettering

Installation

- Universal wall-mounting knockout pattern in backplate
- Side or top mount available using included canopy
- Field removable, knockout chevron directional indicators in faceplates
- For installations where power surge may be possible, NICOR recommends installing additional surge protection at the electrical distribution panel

Dimensions



FEATURES



Test the 90-minute Emergency Backup Mode with the press of a button.



The EXL6 offers a cast-aluminum face design.

Ordering Information

Series	Version	Voltage	Faceplate & Housing Finish	Letter Color	Self-Diagnostic
EXL6	1 (1.0)	UNV (120/277VAC)	ALBK (Aluminum on Black)	G (Green)	SD (Self-Diagnostic)
			WHAL (White on Aluminum)	R (Red)	
			WHWH (White on White)		

See spec-sheet for additional ordering information.



EMB45

EMERGENCY DRIVER 4.5W

PRODUCT INFORMATION

Input Voltage (VAC)	120/277 50/60 Hz
Input Power (W)	5.0
Output Voltage (VDC)	3-60
Output Power (W)	4.5 (Constant)
Emergency Operation	>90 minutes
Operating Temperature	32°F to 122°F (0°C to 50°C)
Weight (lbs)	2.4



The EMB series is rated for damp location and UL listed for field installations.



Ordering Information

Series	Version	Voltage
EMB45	10 (1.0)	UNV (120/277VAC)

See spec-sheet for additional ordering information.

EMB80

EMERGENCY DRIVER 8.5W

PRODUCT INFORMATION

Input Voltage (VAC)	120/277 50/60 Hz
Input Power (W)	5.5
Output Voltage (VDC)	3-60
Output Power (W)	8.5 (Constant)
Emergency Operation	>90 minutes
Operating Temperature	32°F to 122°F (0°C to 50°C)
Weight (lbs)	3.1



The EMB series can be used with switched or unswitched fixtures.



Ordering Information

Series	Version	Voltage
EMB80	10 (1.0)	UNV (120/277VAC)

See spec-sheet for additional ordering information.

Construction

- Heavy duty steel case
- Red powder coat finish
- 24" flexible conduit leads

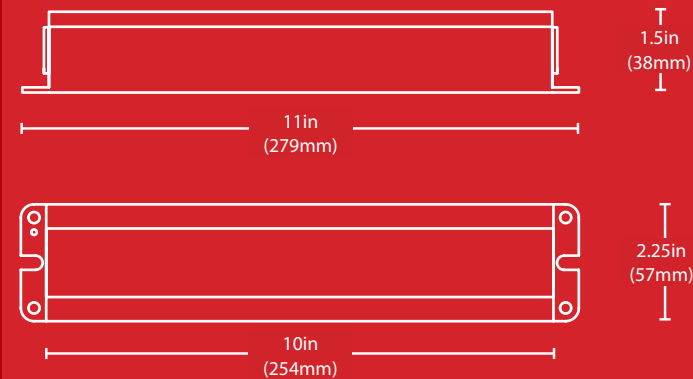
Electrical

- Long life, high-temperature Ni-Cad battery
- Single piece test switch/charge indicator included
- Constant power design provides consistent lumen output for minimum 90 minute capacity on emergency mode
- Self sensing output voltage adjusts for various products such as troffers, downlights, strips, etc.
- 24-Hour recharge time

Installation

- For use with switched or unswitched fixtures
- Rated for plenum, damp location, and type IC luminaires
- UL Listed for factory and field installation

Dimensions



Construction

- Heavy duty steel case
- Red powder coat finish
- 24" flexible conduit leads

Electrical

- Long life, high-temperature Ni-Cad battery
- Single piece test switch/charge indicator included
- Constant power design provides consistent lumen output for minimum 90 minute capacity on emergency mode
- Self sensing output voltage adjusts for various products such as troffers, downlights, strips, etc.
- 24 hour recharge time

Installation

- For use with switched or unswitched fixtures
- Rated for plenum, damp location, and type IC luminaires
- UL Listed for factory and field installation

Dimensions



EMB250

EMERGENCY DRIVER 25W

PRODUCT INFORMATION

Input Voltage (VAC)	120/277, 50/60 Hz
Input Power (W)	8.0
Output Voltage (VDC)	11-56
Output Power (W)	25 (Max)
Emergency Operation	>90 minutes
Operating Temperature	32°F to 122°F (0°C to 50°C)
Weight (lbs)	2.8



The EMB series is rated for damp location and UL listed for field installations.



Ordering Information

Series	Version	Voltage
EMB250	10 (1.0)	UNV (120/277VAC)

See spec-sheet for additional ordering information.

EMB4002

CONSTANT POWER 40W

PRODUCT INFORMATION

Input Voltage (VAC)	120/277, 50/60 Hz
Output Voltage (VDC)	130-190 (Max)
Output Power (W)	40 (Max)
Emergency Operation	>90 minutes
Surge Protection	3kV, Meets ANSI/IEEE c62.41.2-2002
Operating Temperature	32°F to 122°F (0°C to 50°C)
Weight (lbs)	8.8



Accessory Remote for function test



Ordering Information

Series	Version	Voltage	Color
EMB400	2 (2.0)	UNV (120/277VAC)	BK (Black)

See spec-sheet for additional ordering information.



Construction

- Heavy duty steel case
- Orange powder coat finish
- 24" flexible conduit leads

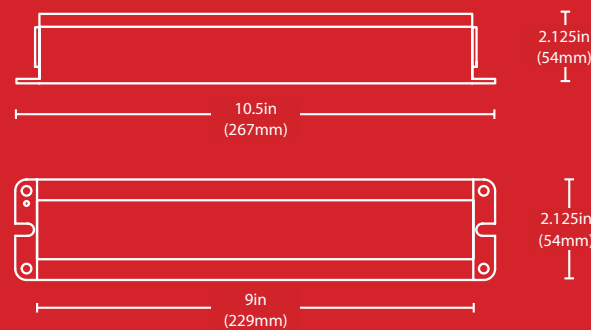
Electrical

- Long life, high-temperature LiFePo battery
- Single piece test switch/charge indicator included
- Constant power design provides consistent lumen output for >90 minutes
- Self sensing output voltage adjusts for various products such as troffers, downlights, strips, etc.
- 48 hour recharge time

Installation

- For use with switched or unswitched fixtures
- Rated for plenum, damp location, and type IC luminaires
- UL Classified for factory and field installation

Dimensions



Construction

- Aluminum housing with black anodize finish
- Smoked polymer front cover
- Hanging tabs and mounting holes provided
- Wire connectors, wire glands, and safety cable included

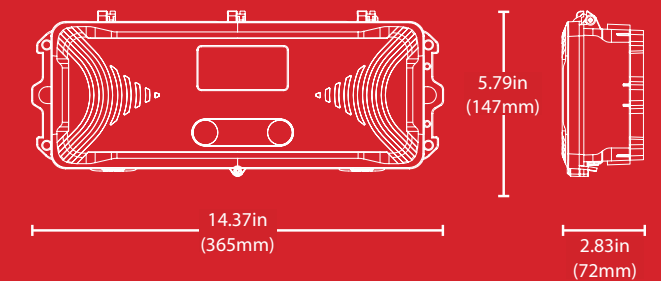
Electrical

- Long life, high temperature LiFePO4 battery
- Battery easily field replaceable
- Integrated test switch/charge indicator
- Product status display screen
- Self-diagnostic/self-test feature
- Constant power design provides consistent lumen output for >90 minutes
- Auto sensing output voltage adjusts for various products such as high bays, troffers, etc.
- 24 hour recharge time
- Available remote control for function test

Installation

- For use in fixtures from 40W - 300W input power with 0-10V dimming or 10W - 40W non-dimming
- Multiple 1/2" NPT ports for wiring installation
- Integrated junction box hinged door
- Included mounting carabiner
- For use with switched or unswitched fixtures

Dimensions



EMI200

INVERTER EMERGENCY PACK 20W

PRODUCT INFORMATION	
Input Voltage (VAC)	120/277, 50/60 Hz
Input Power (W)	6.5 (Charging)
Output Voltage (VAC)	120
Output Power (W)	20 (Constant)
Emergency Operation	>90 Minutes
Operating Temperature	32°F to 122°F (0°C to 50°C)
Weight (lbs)	7.2



Lumens in emergency mode =

$$\frac{\text{Lumens per Watt of Fixture} \times \text{Output Power of Chosen Product}}{\text{Lumens}} = \frac{\text{Lm/W}}{\text{W}}$$



Ordering Information		
Series	Version	Voltage
EMI200	1 (1.0)	UNV (120/277VAC)

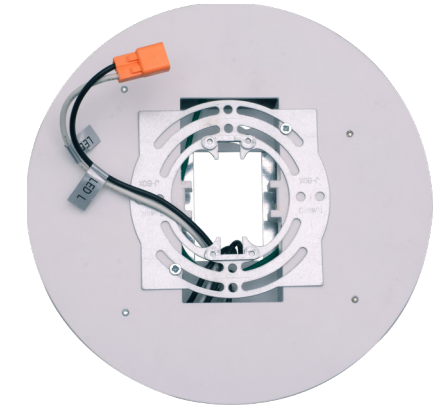
See spec-sheet for additional ordering information.

EMID

INVERTER EMERGENCY PACK 10W

PRODUCT INFORMATION	
Input Voltage (VAC)	120, 60 Hz
Input Power (W)	1.4 (Charging)
Output Voltage (VAC)	120
Output Power (W)	10 (Constant)
Emergency Operation	>90 Minutes
Operating Temperature	32°F to 122°F (0°C to 50°C)

The EMID is a fully enclosed unit with a test switch, indicator light, and integrated mounting features.



Ordering Information			
Series	Version	Wattage	Color
EMID	10 (1.0)	10 10W	WH (White)

See spec-sheet for additional ordering information.

Construction

- Heavy duty steel case
- Red powder coat finish
- 24" flexible conduit lead

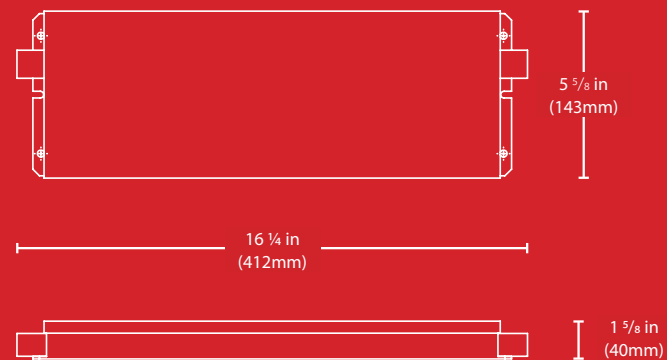
Electrical

- Constant power design provides 100% lumen output on fixtures up to 20 watts for >90 minutes
- 120/277VAC 50/60Hz input voltage
- Long life, high-temperature Ni-Cad battery
- Single piece test switch/charge indicator included
- 24-hour recharge time

Installation

- For use with switched or unswitched fixtures
- Rated for damp location
- UL 924 listed for field installation

Dimensions



Compatible NICOR Series*

DCR, DLRv1-4, DQD, DQR, DRD, DLS
Residential Downlights

CLR, CDR
Commercial Downlights

DEB, DGD, DLG, DCG
Gimbals

WPC
Linears & Wraps

*Not a complete list. Check compatibility before installation.

Construction

- Cast-aluminum housing with galvanized-steel backplate
- On-board test switch and indicator light
- White powder coat finish

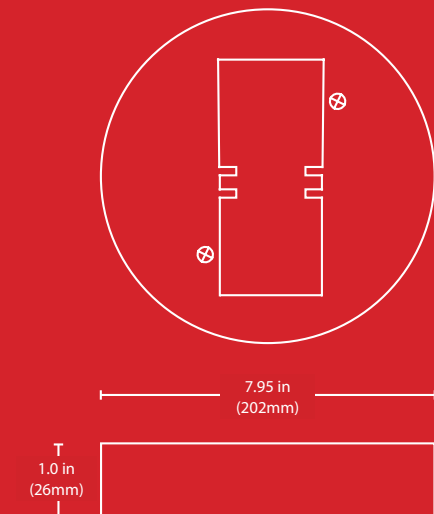
Electrical

- Constant power design provides lumen output on fixtures up to 20 watts for >90 minutes
- 120VAC 60Hz input voltage
- Long life Li-Ion battery
- 24-hour recharge time

Mounting and Installation

- Installs on most 4" junction boxes
- Rated for damp location
- Rated for installation only with compatible NICOR fixtures (see list below)
- Compatible with NICOR series: DSE8 and DSK56 Series

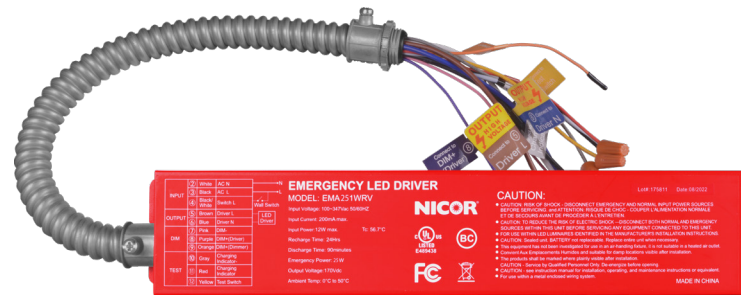
Dimensions



EMA25

CONSTANT POWER EM PACK 25W

PRODUCT INFORMATION	
Input Voltage (VAC)	120-347, 50/60Hz
Input (Recharge) Power	12W (Max)
Output Voltage (VDC)	170
Output Power (W)	25
Emergency Operation	>90 Minutes
Operating Temperature	32°F to 122°F (0°C to 50°C)
Weight (lbs)	2.65



The EMA25 contains a battery, charger, and converter circuit within a single housing. Also includes a test button with faceplate.

Ordering Information		
Series	Version	Voltage
EMA25	1 (1.0)	WRV (120-347V)

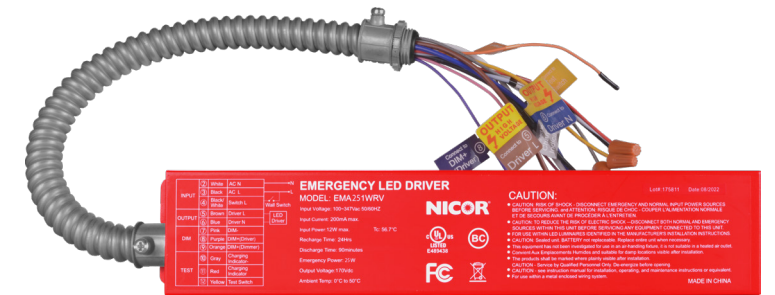
See spec-sheet for additional ordering information.



EMA40

CONSTANT POWER EM PACK 40W

PRODUCT INFORMATION	
Input Voltage (VAC)	120-347, 50/60Hz
Input (Recharge) Power	12W (Max)
Output Voltage (VDC)	170
Output Power (W)	40
Emergency Operation	>90 Minutes
Operating Temperature	32°F to 122°F (0°C to 50°C)
Weight (lbs)	2.65



The EMA40 contains a battery, charger, and converter circuit within a single housing. Also includes a test button with faceplate.

Ordering Information		
Series	Version	Voltage
EMA40	1 (1.0)	WRV (120-347V)

See spec-sheet for additional ordering information.



Construction

- Heavy duty steel case
- 13" flexible conduit lead
- Test switch/status indicator light and faceplate

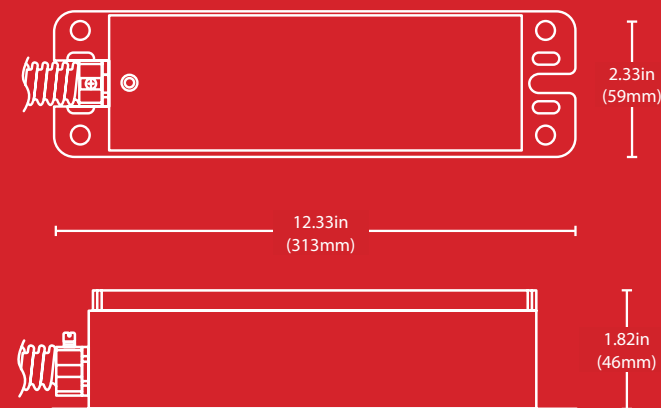
Electrical

- Long life, high-temperature Li-Ion battery
- Constant power design provides consistent lumen output for >90 minutes
- Self-Diagnostic test circuitry
- 24-hour recharge time
- Operating temperature rating of 32°F to 122°F (0°C to 50°C)
- Battery self protection
- Surge protection: L-N 3kV

Installation

- cULus Listed for factory or field installation
- Wires to fixture AC input leads
- For use with switched or unswitched fixtures (requires unswitched power source)
- For installations where power surge may be possible, NICOR recommends installing additional surge protection at the electrical distribution panel

Dimensions



Construction

- Heavy duty steel case
- 13" flexible conduit lead
- Test switch/status indicator light and faceplate

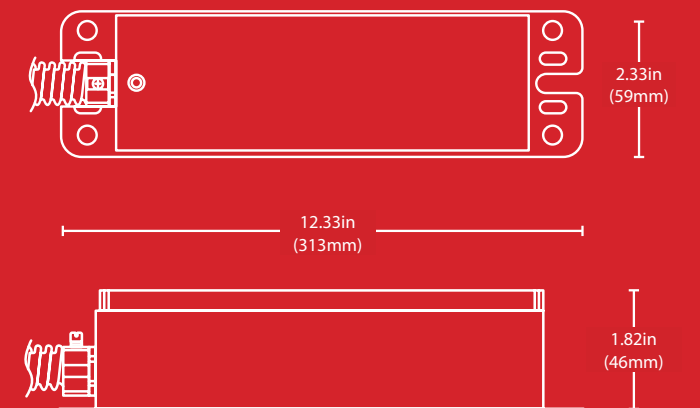
Electrical

- Long life, high-temperature Li-Ion battery
- Constant power design provides consistent lumen output for >90 minutes
- Self-Diagnostic test circuitry
- 24-hour recharge time
- Operating temperature rating of 32°F to 122°F (0°C to 50°C)
- Battery self protection
- Surge protection: L-N 3kV

Installation

- cULus Listed for factory or field installation
- Wires to fixture AC input leads
- For use with switched or unswitched fixtures (requires unswitched power source)
- For installations where power surge may be possible, NICOR recommends installing additional surge protection at the electrical distribution panel

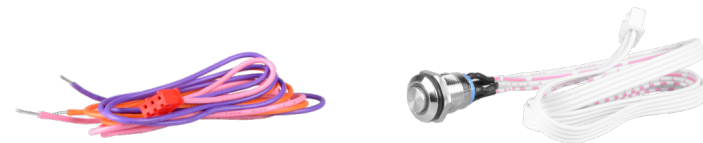
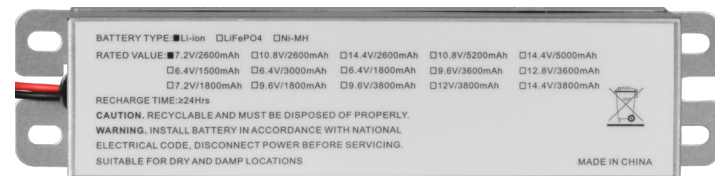
Dimensions



EMS08

SEPARATED EMERGENCY PACK 8W

PRODUCT INFORMATION	
Input Voltage (VAC)	120-347, 50/60 Hz
Input Power (W)	10 (Max)
Output Voltage (VDC)	170
Output Power (W)	8
Emergency Operation	>90 Minutes
Operating Temperature	41°F to 122°F (5°C to 50°C)
Weight (lbs)	1.54



Includes a lighted test button with status indication.

During a power failure, the EMS08 activates emergency mode to maintain constant output power to the fixture for a minimum of 90 minutes without light degradation.



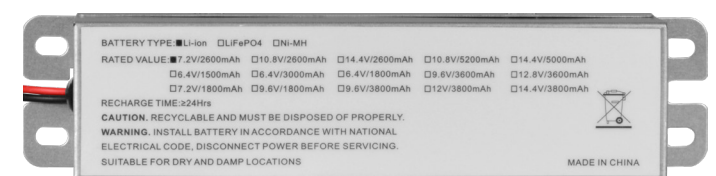
Ordering Information		
Series	Version	Voltage
EMS08	1 (1.0)	WRV (120-347V)

See spec-sheet for additional ordering information.

EMS18

SEPARATED EMERGENCY PACK 18W

PRODUCT INFORMATION	
Input Voltage (VAC)	120-347, 50/60 Hz
Input Power (W)	10 (Max)
Output Voltage (VDC)	170
Output Power (W)	18
Emergency Operation	>90 Minutes
Operating Temperature	41°F to 122°F (5°C to 50°C)
Weight (lbs)	1.54



Includes a lighted test button with status indication.

During a power failure, the EMS18 activates emergency mode to maintain constant output power to the fixture for a minimum of 90 minutes without light degradation.



Ordering Information		
Series	Version	Voltage
EMS18	1 (1.0)	WRV (120-347V)

See spec-sheet for additional ordering information.

Construction

- Separate emergency driver and battery
- Heavy duty steel case
- Red powder coat finish (driver), galvanized (battery)
- 20" leads on test button

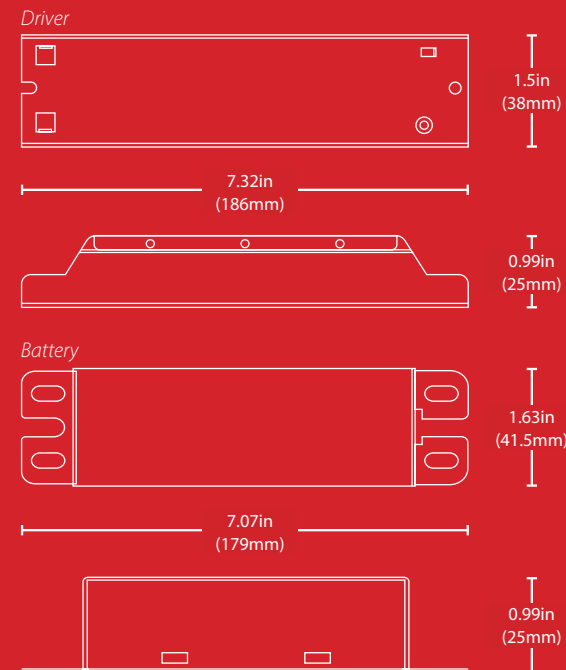
Electrical

- Long life, high-temperature Li-Ion battery
- Constant power design provides consistent lumen output for >90 minutes
- Self-Diagnostic test circuitry
- 24-hour recharge time
- Operating temperature rating of 41°F to 122°F (5°C to 50°C)
- Battery self protection
- Surge protection: L-N 3kV

Installation

- cULus Listed for factory or field installation
- Driver wires to fixture AC input leads
- Battery with connector
- For use with switched or unswitched fixtures (requires unswitched power source)
- For installations where power surge may be possible, NICOR recommends installing additional surge protection at the electrical distribution panel

Dimensions



Construction

- Separate emergency driver and battery
- Heavy duty steel cases
- Red powder coat finish (driver), galvanized (battery)
- 20" leads on test button

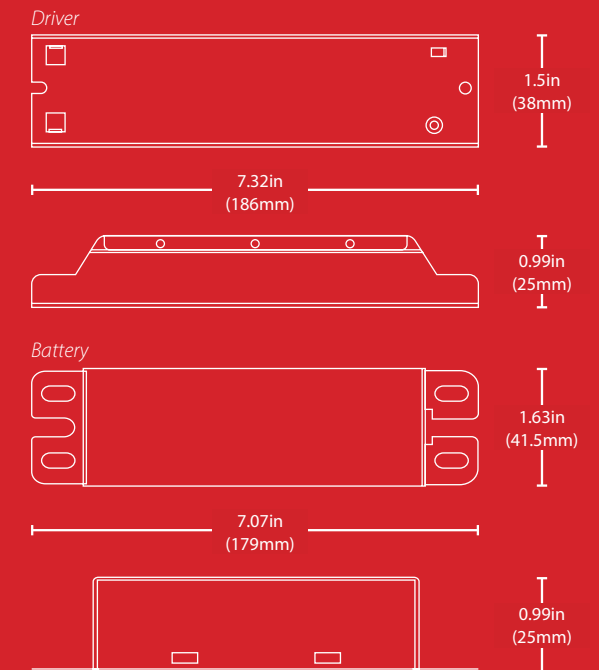
Electrical

- Long life, high-temperature Li-Ion battery
- Constant power design provides consistent lumen output for >90 minutes
- Self-Diagnostic test circuitry
- 24-hour recharge time
- Operating temperature rating of 41°F to 122°F (5°C to 50°C)
- Battery self protection
- Surge protection: L-N 3kV

Installation

- cULus Listed for factory or field installation
- Driver wires to fixture AC input leads
- Battery with connector
- For use with switched or unswitched fixtures (requires unswitched power source)
- For installations where power surge may be possible, NICOR recommends installing additional surge protection at the electrical distribution panel

Dimensions



EOF

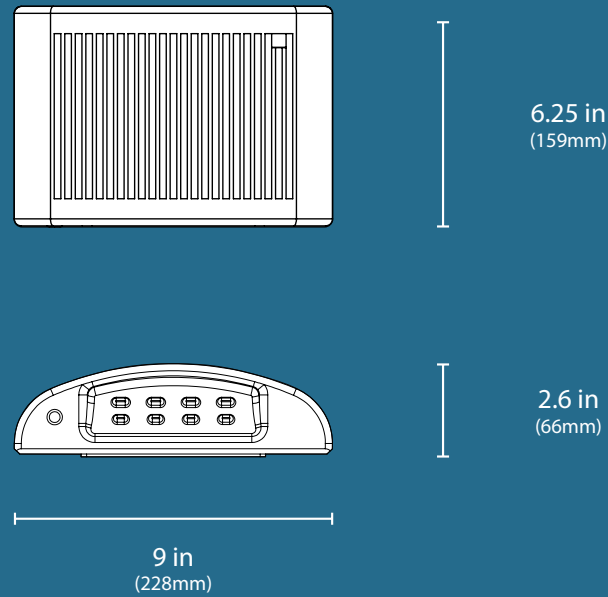
LED EMERGENCY OUTDOOR FULL CUTOFF

PRODUCT INFORMATION

Input Voltage (VAC)	120/277
Input Power (W)	16.9
Delivered Lumens (Lm)	1554-1635
System Efficacy (Lm/W)	>90
Correlated Color Temp	3000K or 5000K
Color Rendering Index	72 CRI
Emergency Operation Delivered Lumens (Lm)	560
Emergency Operation Temperature Range	32°F to 122°F (0°C to 50°C)
Emergency Operation	>90 Minutes



Dimensions



Available Options:

- Cold-Weather Kit**
-13°F to +122°F (-25°C to 50°C)
- Non-Emergency (AC)**
-13°F to +122°F (-25°C to 50°C)
- Self-Diagnostic (SD)**

CRI 70+
 Lumens 1554-1635
 Lifetime >72000 hrs

Single CCT options

- 3K
- 5K



Ordering Information									Example: EOF1MV3KBZPMS
Series	Version	Voltage	CCT	Housing Color	Photocell	Testing	Cold Weather	Emergency	
EOF	1	MV (120-277V)	3K (3000K)	BZ (Bronze)	P (Photocell)	_ (Manual)	_ (Standard)	_ (Emergency)	
			5K (5000K)	WH (White)		S (Self-Diagnostic, EM only)	C (Cold Weather)	AC (Non-EM)	
				BK (Black)*					
				SV (Silver)*					

64 *Subject to MOQ (minimum order quantity). Please check factory for additional lead times. See spec-sheet for additional ordering information.

EOT

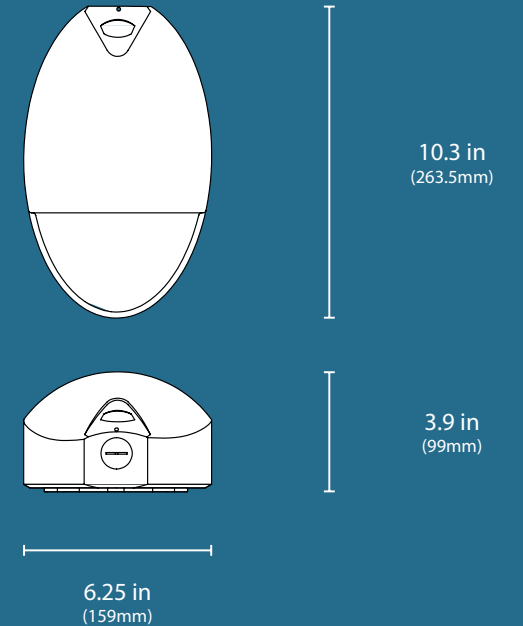
LED EMERGENCY OUTDOOR TEAR DROP

PRODUCT INFORMATION

Input Voltage (VAC)	120/277
Input Power (W)	13.4
Delivered Lumens (Lm)	1074-1158
System Efficacy (Lm/W)	>80
Correlated Color Temp	2700K or 5000K
Color Rendering Index	83 CRI
Emergency Operation Delivered Lumens (Lm)	277
Emergency Operation Temperature Range	32°F to 122°F (0°C to 50°C)
Emergency Operation	>90 Minutes



Dimensions



Available Options:

- Cold-Weather Kit**
-13°F to +122°F (-25°C to 50°C)
- Non-Emergency (AC)**
-13°F to +122°F (-25°C to 50°C)

CRI 80+
 Lumens 1074-1158
 Lifetime >72000 hrs

Single CCT options

- 2.7K
- 5K



Ordering Information									Example: EOT1MV2KBZPS
Series	Version	Voltage	CCT	Housing Color	Photocell	Testing	Cold Weather	Emergency	
EOT	1	MV (120-277V)	2K (2700K)	BZ (Bronze)	P (Photocell)	S (Self-Diagnostic)	_ (Standard)	_ (Emergency)	
			5K (5000K)	SV (Silver)			C (Cold Weather)	AC (Non-EM)	

See spec-sheet for additional ordering information.

EMO

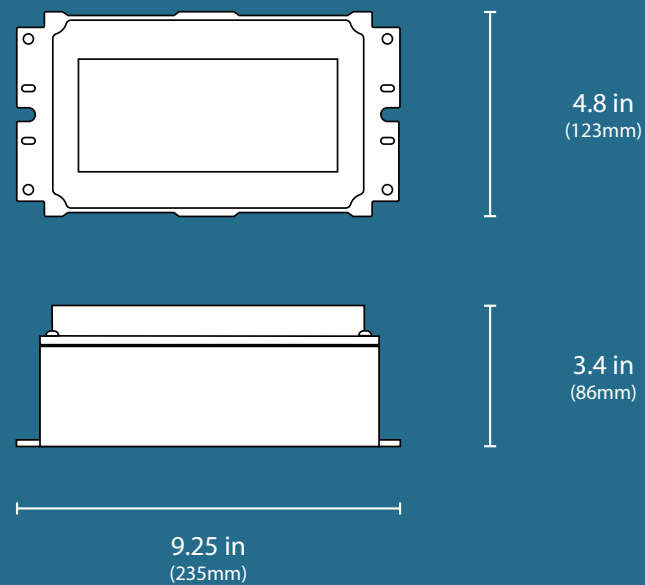
SELF-DIAGNOSTIC OUTDOOR EMERGENCY KIT

PRODUCT INFORMATION

Input Voltage (VAC)	120/347, 50/60 Hz
Input (Recharge) Power (W)	10 MAX
Output Voltage (VDC)	170
Output Power	8W or 18W
Weight	1.54lbs (0.7 kg)
Emergency Operation Temperature Range	41°F to 122°F (5°C to 50°C)
Emergency Operation	>90 Minutes



Dimensions



COMPATIBLE NICOR SERIES*



*Not a complete list. Check compatibility before installation.



Ordering Information		Example: EMO1080WRVBZ		
Series	Version	Output Power	Voltage Input	Finish
EMO	1 (Version 1)	080 (8W)	WRV (120-347V)	BZ (Bronze)
		180 (18W)		WH (White)

See spec-sheet for additional ordering information.

Explore a wide range of products with **NICOR** brochures and catalogs to uncover additional lighting solutions.



QUICK REFERENCE GUIDE
Get an overview of all the latest NICOR products

DOWNLIGHTS BROCHURE
See all downlight families and series that NICOR has to offer

OUTDOOR BROCHURE
Browse an extensive array of Outdoor Lighting from NICOR

WAREHOUSE BROCHURE
Learn more about Warehouse Lighting and NICOR's newest High Bays

HAZLOC BROCHURE
Check out NICOR's latest lighting fixtures suitable for Hazardous Locations



Scan QR for the latest
Emergency brochure.

Warehouse Locations:

Albuquerque, NM
Buford, GA
Roseville, CA

NICOR Lighting
2200 Midtown Pl. NE
Albuquerque, NM 87107 USA

T 800.821.6283
F 800.892.8393
www.nicorlighting.com



LIT-EMFB-10PK
20241219

©2024 NICOR® • ALL RIGHTS RESERVED