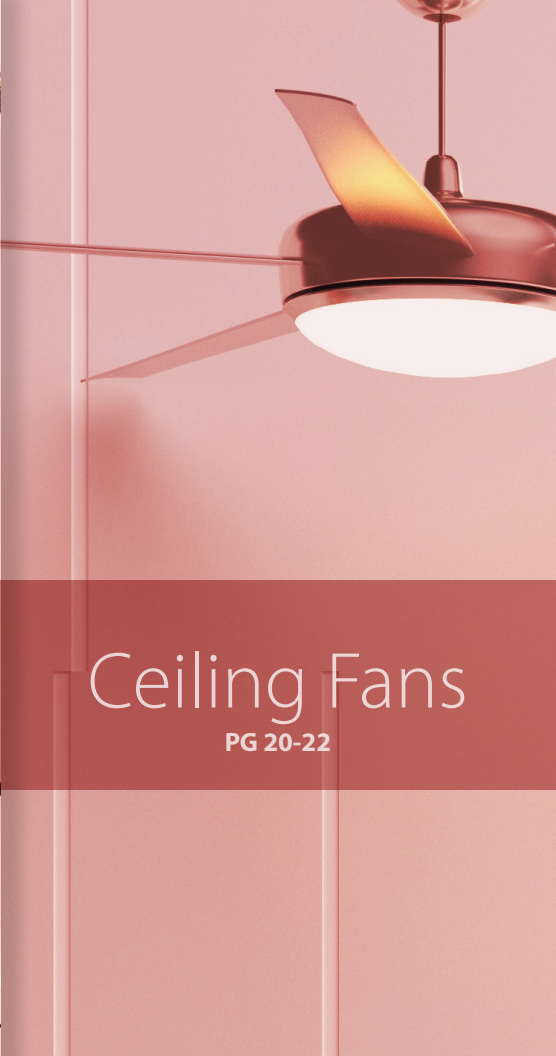


SPECIALTY PRODUCTS

NICOR[®]

Door Chime Kits · Step Lights · Under Cabinets
Ceiling Fans · Pendant Lights · Porch Lights · Vanity Lights · Wall Sconces



Door Chimes

PG 4-9

Step Lights

PG 10-15

Under Cabinets

PG 16-19

Ceiling Fans

PG 20-22



Pendant Lights

PG 23-25

Porch Lights

PG 26-27

Vanity Lights

PG 28-30

Wall Sconces

PG 31-34



Explore a diverse selection of specialty products meticulously crafted to enhance every corner of your home. From door chime kits that add a touch of elegance to step lights and under cabinet lighting that offer both safety and ambiance, our specialty products combine style with practicality, ensuring an enhanced living experience for you and your family.

Discover a tailored range of lighting solutions for multifamily properties, designed to meet the unique needs of communal living environments. From durable ceiling fans to versatile vanity lights, porch lights, wall sconces, and pendant lights, NICOR's multifamily products are crafted with durability, efficiency, and aesthetics in mind, enhancing both comfort and community within shared spaces.



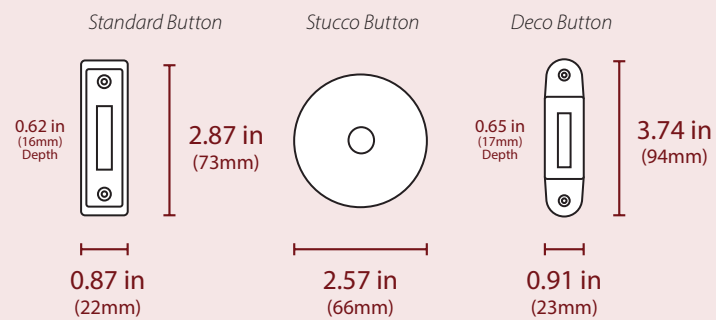
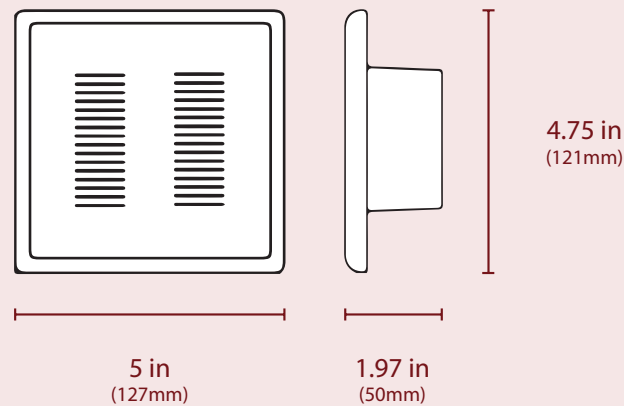
PRCP2

PrimeChime Plus 2®

The PrimeChime Plus 2® continues to define what a modern doorbell should be. The latest version offers Melody Selection with five different, user selected, chime tones and five different volume levels using a simple single button, voice guided, interface. The PRCP2 combines both line voltage and low voltage into a single unit and offers a paintable, screwless faceplate for simple installation and a seamless look. Separate, selectable, ring tones for front and rear doors allows you to keep track of exactly which door to answer. NICOR's lighted button makes your doorbell easily visible to visitors at all times of day, welcoming them to your home and the improved compatibility with most video doorbell buttons improves security and peace of mind.

Dimensions

PrimeChime® Plus 2



FEATURES

Five Selectable Chime Volumes

Five Selectable Chime Tones

Ding Dong, Westminster, 3-Note, 5-Note, and 7-Note

- ☀ Voice-Guided setup during selection
- ☀ Simple, single-button configuration
- ☀ Includes two lighted rectangle doorbell buttons



Screwless Faceplate
Easier installation and more modern look with a paintable faceplate

Daisy Chain
Link up to 2 PrimeChime® Plus 2 units within 200ft

Integrated Transformer
Line and low voltage in the same unit

Accessories

Deco and Stucco Buttons Available



Recommended Video Doorbell*			
Manufacturer	Model	Manufacturer	Model
ALC	SightHD Video Doorbell (AWF71D)	RING	Video Doorbell (Gen 1)
Alarm.com	VDB770		Video Doorbell (Gen 2)
AMCREST	Video Doorbell (AD110)		Video Doorbell 3
ARLO	Video Doorbell (AVD1001-100NAS)		Video Doorbell 3 Plus
EUFY	Video Doorbell 1080P (Wired)		Video Doorbell Elite
	Video Doorbell 2K (Wired)		Video Doorbell Pro
FEIT ELECTRIC	Smart Video Doorbell		Video Doorbell Pro 2
REMO+	RemoBell S	SKYBELL	Skybell HD
SIMPLI-SAFE	Video Doorbell Pro	WYZE	Video Doorbell v2

See compatibility list and/or test for compatibility before installation. *Not a complete list. Call NICOR or test for compatibility before installation. ¹ Max 100ft total wire length. ² Each chime requires individual 120VAC input



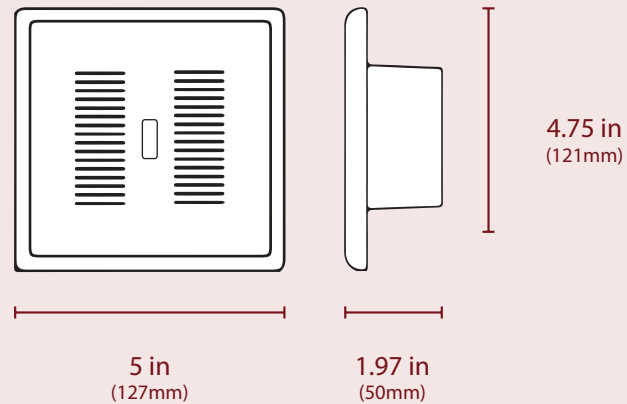
PRCP2A

PrimeChime Plus 2® ADA Compliant

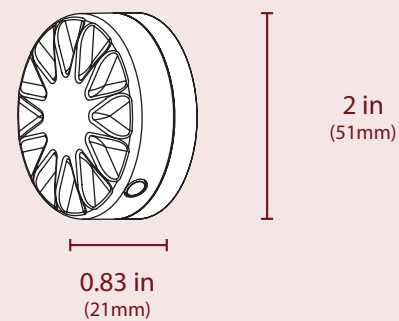
The PrimeChime Plus 2® continues to define what a modern doorbell should be. The latest version offers Volume and Chime Tone Selections with five unique user-selected ring tones and five different volume levels using a simple single button, voice guided, interface. The v2 combines both line- and low-voltage into a single unit and offers a paintable, screwless faceplate for simple installation and a seamless look. Separate, selectable ring tones for front and rear doors allows you to keep track of exactly which door to answer. NICOR's lighted doorbell buttons make your doorbell easily visible to visitors at all times of the day or night. The improved video doorbell compatibility improves security and peace of mind so you can focus on what matters the most.

Dimensions

PrimeChime® Plus 2



Remote Strobe Light



FEATURES

Screwless Faceplate
Easier installation and more modern look with a paintable faceplate

Daisy Chain
Chain up to 2 PrimeChime Plus units within 200ft

Integrated Transformer
Line and low voltage in the same unit

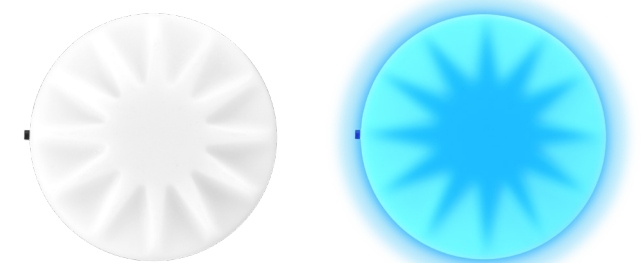


Five Selectable Chime Volumes

Five Selectable Chime Tones

Ding Dong, Westminster, 3-Note, 5-Note, and 7-Note

- ☀ Voice-Guided setup during selection
- ☀ Simple, single-button configuration
- ☀ Includes two lighted rectangle doorbell buttons



Optional Remote Strobe Light

Recommended Video Doorbell*

Manufacturer	Model	Manufacturer	Model
ALC	SightHD Video Doorbell (AWF71D)	RING	Video Doorbell (Gen 1)
Alarm.com	VDB770		Video Doorbell (Gen 2)
AMCREST	Video Doorbell (AD110)		Video Doorbell 3
ARLO	Video Doorbell (AVD1001-100NAS)		Video Doorbell 3 Plus
EUFY	Video Doorbell 1080P (Wired)		Video Doorbell Elite
	Video Doorbell 2K (Wired)		Video Doorbell Pro
FEIT ELECTRIC	Smart Video Doorbell		Video Doorbell Pro 2
REMO+	RemoBell S	SKYBELL	Skybell HD
SIMPLI-SAFE	Video Doorbell Pro	WYZE	Video Doorbell v2

See compatibility list and/or test for compatibility before installation. *Not a complete list. Call NICOR or test for compatibility before installation.

¹ Max 100ft total wire length. ² Each chime requires individual 120VAC input

Accessory Parts

PRCP2STROBE	Remote Strobe Light
-------------	---------------------

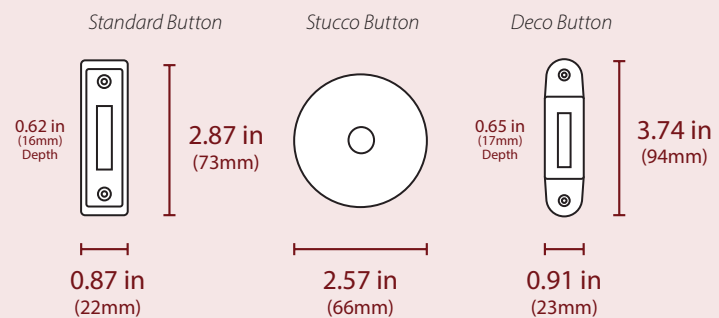
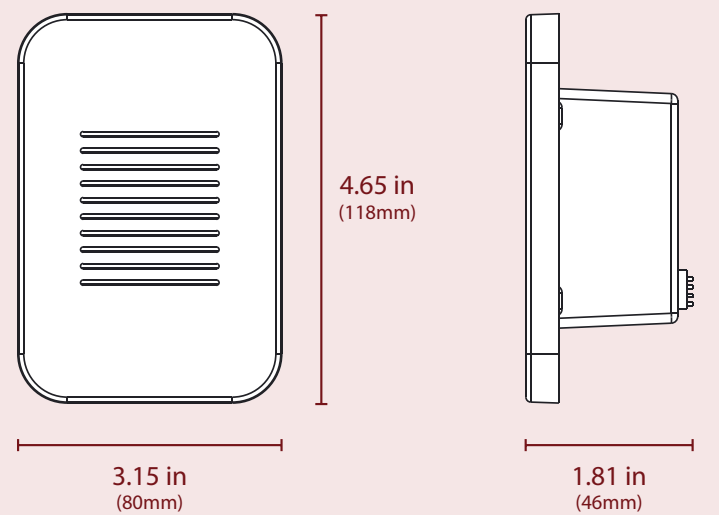


PRMC

PrimeChime Plus 2 Mini®

The PrimeChime Plus 2 Mini® keeps all the popular features of NICOR's PrimeChime Plus 2® electronic doorbell while shrinking the unit to fit into a single gang junction box. Compatible with many video doorbell systems, the PRMC The PRMC combines both line voltage and low voltage into a single unit and offers a paintable, screwless faceplate for simple installation and a seamless look. Separate melodies for front and rear doors allows you to keep track of exactly which door to answer. NICOR's lighted button makes your doorbell easily visible to visitors at all times of day, welcoming them to your home. The PRMC is also compatible with many video doorbell systems, increasing the security of your home with a reliable, minimal door chime kit.

Dimensions



FEATURES



- Screwless Faceplate**
Easier installation and more modern look with a paintable faceplate
- Daisy Chain**
Link up to 10 additional PrimeChime Plus Mini® units (max 400ft total wire length)
- Integrated Transformer**
Line and low voltage in the same unit

Recommended Video Doorbell*				
Manufacturer	Model	Manufacturer	Model	
ALC	SightHD Video Doorbell (AWF71D)	RING	Video Doorbell (Gen 1)	
Alarm.com	VDB770		Video Doorbell (Gen 2)	
AMCREST	Video Doorbell (AD110)		Video Doorbell 3	
ARLO	Video Doorbell (AVD1001-100NAS)		Video Doorbell 3 Plus	
EUFY	Video Doorbell 1080P (Wired)		Video Doorbell Elite	
	Video Doorbell 2K (Wired)		Video Doorbell Pro	
FEIT ELECTRIC	Smart Video Doorbell		Video Doorbell Pro 2	
FIRST ALERT	CAMW-WDB VX1		SIMPLI-SAFE	Video Doorbell Pro
GOOGLE NEST	Nest Hello Video Doorbell		SKYBELL	SkyBell HD
REMO+	RemoBell S		WYZE	Video Doorbell v2

*For a detailed list of compatible video doorbell systems, please refer to the latest product spec-sheet.

Accessory Parts	
PRCP2STROBE	Remote Strobe Light

Video Doorbell Compatible

Compliment your video doorbell system with the modern PrimeChime Plus 2 Mini. The compact design fits most single gang junction boxes with a sleek recessed look.

Dual Purpose

Setup different chimes for the front and rear doors, making it easy to identify which door to answer.

Five Selectable Chime Volumes

Five Selectable Chime Tones

Ding Dong, Westminster, 3-Note, 5-Note, and 7-Note

- ☀ Voice-Guided setup during selection
- ☀ Simple, single-button configuration

x 2 2 Lighted Buttons Included
Additional button styles & colors available

Accessories

Deco and Stucco Buttons Available



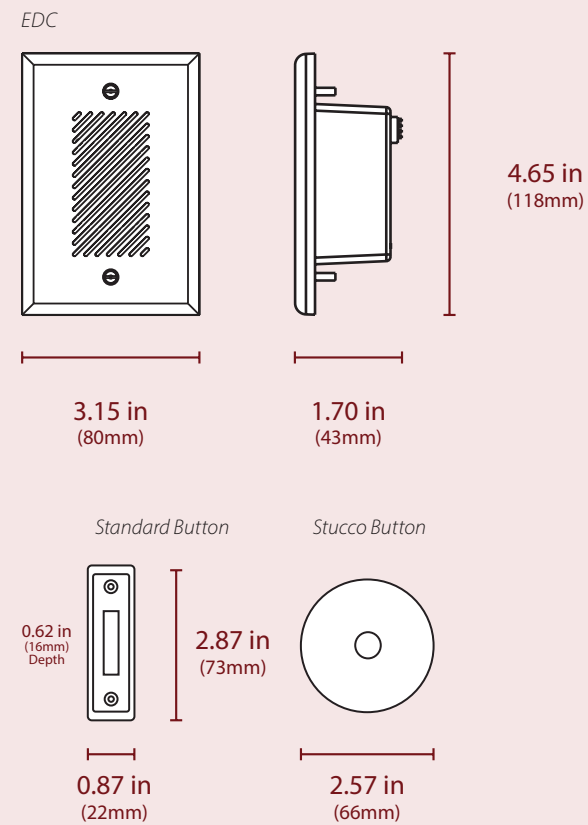


EDC

Single-Gang Electronic Door Chime

The patent-pending Electronic Door Chime (EDC) is a doorbell chime kit that can be installed in new construction homes or retrofitted into existing homes. It features a unique door chime that fits most non-metallic single-gang junction boxes and combines both line and low voltage in one unit. The EDC comes with the popular Westminster chime tone, a paintable faceplate for a seamless look, and a lighted doorbell button to make your doorbell easily visible at night.

Dimensions



FEATURES

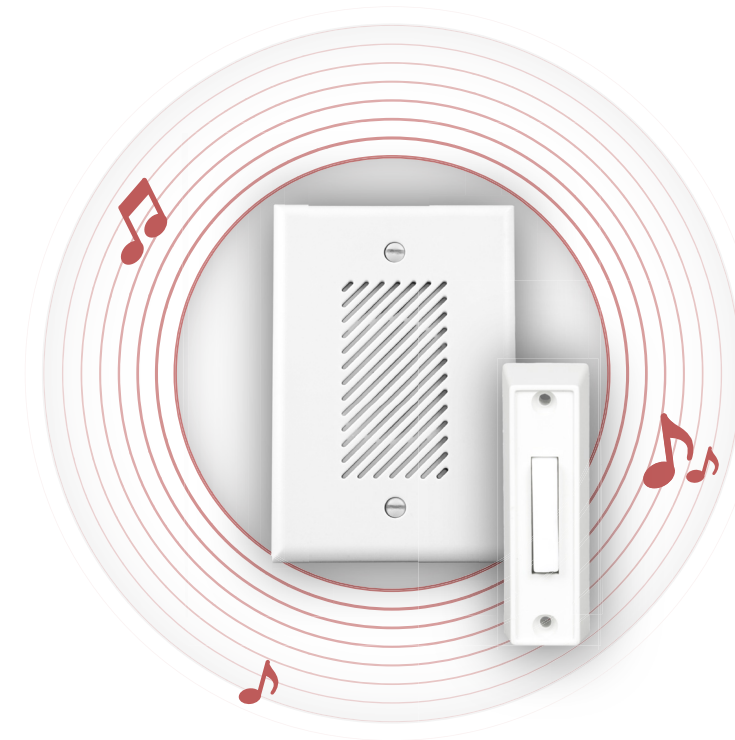
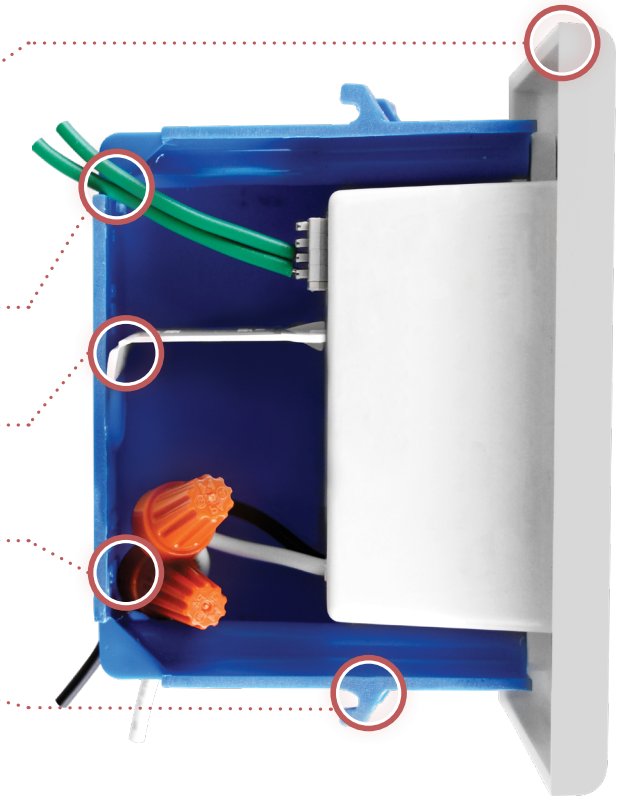
Paintable Faceplate
Paintable to Match Any Interior Design

Low-Voltage
Daisy-chain up to 4 units

Voltage Divider
Combines Line- & Low-Voltage

Line-Voltage
Line & Neutral AC Input

Compact Design
Fits Most Single-Gang Boxes*
*not included



Westminster Chime



Accessory Parts	
EDC1BUTTONSPARE	Replacement Lighted Button
EDC1BUTTONSBBZ	Bronze Stucco Button
EDC1BUTTONSBNK	Nickel Stucco Button

Ordering Information
Series
EDC1120WH1

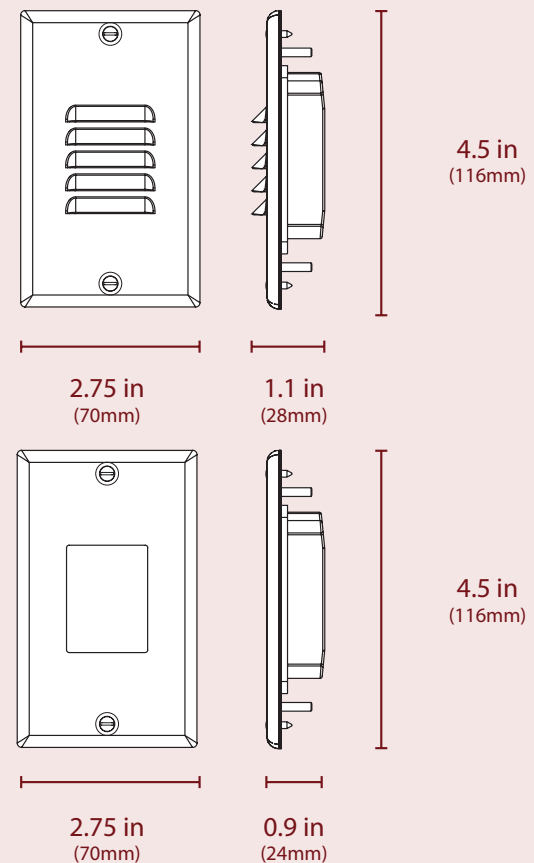


STP2

LED Step Light

NICOR's LED Step Lights are a great complement to your residential and commercial projects. This step light not only provides a touch of safety, but offers a warm, natural glow making it the perfect accent for any project. Need more flexibility? The STP2 offers an integrated photocell option in both frosted and louvered styles. Now you can save more energy and have light only when you need it. No need to flip a switch, this fixture does it for you. For a truly customizable choice, the STP2 offers paintable faceplates making it versatile for any residential or commercial application. Each unit is sealed and Wet-Location approved for indoor and outdoor use.

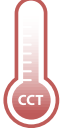





Dimensions



FEATURES



- Offered in both Standard and Photocell versions
- Fits directly into most single-gang junction boxes
- Can be mounted in either horizontal or vertical direction
- Dimmable using TRIAC and ELV dimmers
- Wet-Location rated for indoor and outdoor use

 CCT 2700K	 CRI 80	 Lumens 27-57
 Wattage 1-1.5	 Lifetime >50,000 hrs	 Input 120VAC

Optional Faceplates

Black & Oil-Rubbed Bronze



Ordering Information					
Series	Version	Faceplate Style	Voltage	Color	Photocell
STP	2	L (Louvered)	120 (120V)	WH (White)	Blank (None)
		F (Open Face)			PC (Photocell)

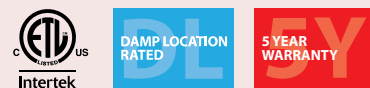
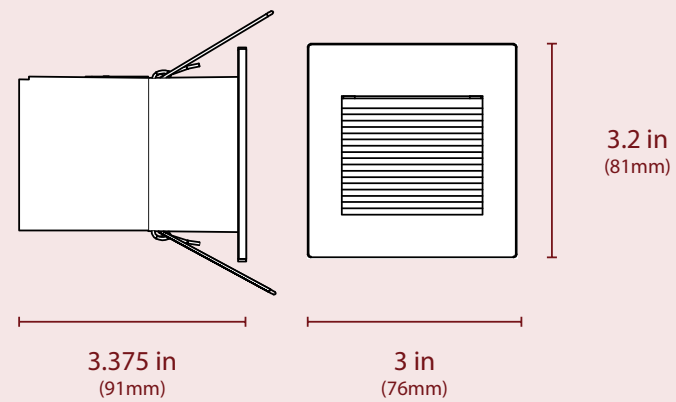


STQ

LED Square Step Light

The STQ Series Square LED Step Light offers a fresh and unique look. The minimalistic look of the STQ provides the perfect accent piece to stairs, walkways, and hallways. The indirect, warm light reflects off the steep step-baffled design features to emit a bright ambient glow without unnecessary glare. The powder coat finished trim is combined with the cast-aluminum junction box housing with retention clips to make installation a breeze. Installation Instructions with a cut-out template are included with every unit. The STQ is the perfect product for adding both design and functionality for added safety in residential and commercial settings alike.

Dimensions

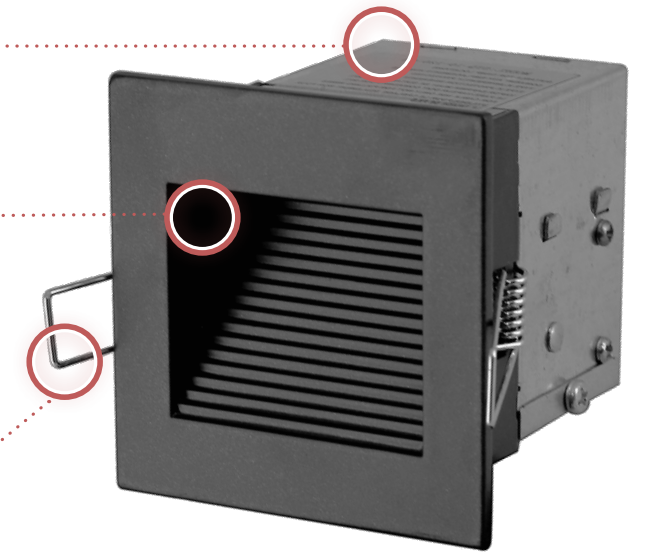


FEATURES

Integrated Junction Box
Comes equipped with integrated junction box eliminating the need for a separate box

Sealed LED Chamber
Fully sealed, maintenance-free LED chamber keeps out dust and bugs

Easy Installation
Spring-clip mounting allows for quick and easy installation



- ☀ Minimalist Baffle Design
- ☀ Indirect Lighting for Reduced Glare
- ☀ Cut-Out Template Included
- ☀ Powder Coat Finish



CCT
3000K



Wattage
1



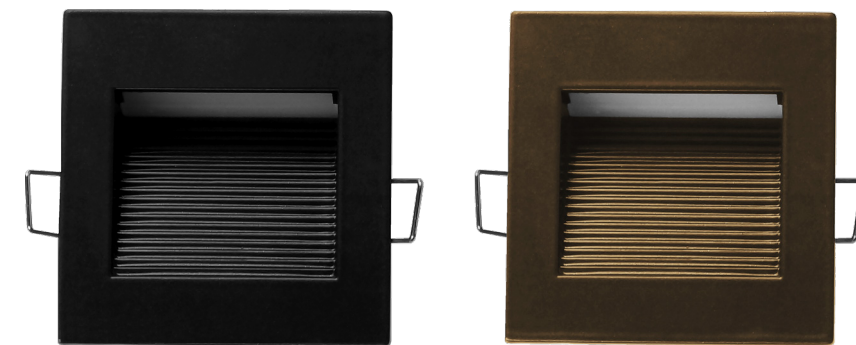
Lifetime
>50,000 hrs



Input
120VAC

STQ Variations

Black • Oil-Rubbed Bronze



Ordering Information

Series	Version	Voltage	Trim Color
STQ	10 (1.0)	120 (120V)	BK (Black)
			OB (Oil-Rubbed Bronze)

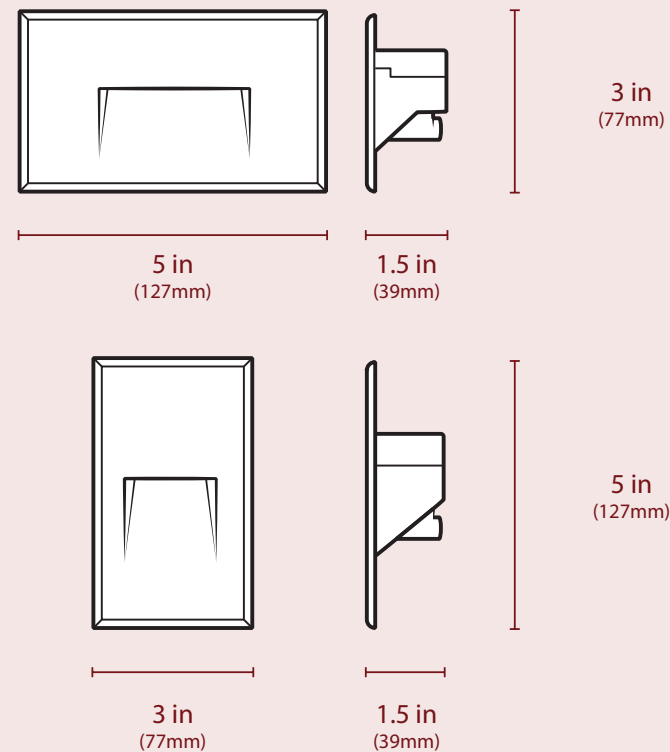


STW

Wet Location LED Step Light

NICOR's STW Series LED Step Lights are the perfect accent lights for hallways, stairways, porches, patios, and outdoor walkways. The LED step lights are available in both vertical and horizontal orientations and feature an anti-microbial, powder-coated finish to keep surfaces clean. The sealed Wet-Location rated step lights are also perfect for outdoor accent lighting to provide increased safety in dark areas. The louvered design produces soft, indirect lighting for reduced glare. The slim profile design allows for easy installation, using standard line-voltage hardwiring. The STW LED step light features a 3000K color temperature for a warm natural glow and is available in Black, Bronze, and White finishes.

Dimensions



FEATURES



- CCT** 3000K
- CRI** 80
- Lumens** 35-75
- Wattage** 3-5.4
- Lifetime** >50,000 hrs
- Input** 120VAC

STW Variations

White • Black • Bronze



Ordering Information					
Series	Version	Voltage	CCT Tunable	Orientation	Finish Color
STW	1	120 (120V)	3K (3000K)	H (Horizontal)	BK (Black)
				V (Vertical)	BZ (Bronze)
					WH (White)

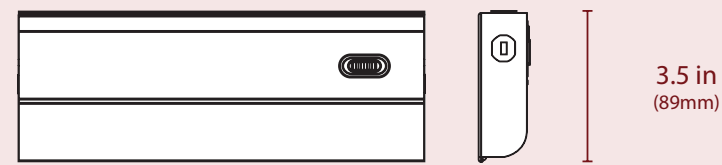


UCB

CCT Selectable LED Under Cabinet

The UCB Series LED Under Cabinet light is an attractive and efficient lighting solution designed to enhance illumination in various spaces. The 5CCT Selectable functionality allows for easy adjustment to 2700K, 3000K, 3500K, 4000K, or 5000K color temperature settings. The UCB's 1-inch low-profile and gloss white finish presents a clean, professional look allowing an existing wall switch or dimmer to easily control your lights. Available in a range of lengths from 9 to 42 inches, the UCB offers flexibility to fit various cabinet sizes. Whether in a kitchen, under a shelf, or in a defined workspace, the UCB is perfect for task or accent lighting and illuminating products, apparel, or collectibles. The UCB comes with a 5-year limited system warranty, making it a dependable choice for under cabinet lighting in residential, retail, and commercial applications.

Dimensions



UCB109	9 in (229mm)	1.1 in (29mm)
UCB112	12 in (305mm)	
UCB118	18 in (457mm)	
UCB121	21 in (533mm)	
UCB124	24 in (610mm)	
UCB133	33 in (838mm)	
UCB142	42 in (1067mm)	



FEATURES



7 AVAILABLE SIZES
Common industry lengths: 9", 12", 18", 21", 24", 33", 42"



2 Options Available

Choose between having an on/off switch or not. Units without an on/off switch can be controlled from a wall switch. Both options are available on all sizes.



CRI
>90

Lifetime
>50,000 hrs

Input
120VAC

Ordering Information					
Series	Version	Length	CCT	Power Switch	Finish Color
UCB	1	09 (9 inches)	S (27K/3K/35K/4K/5K)	_ (Switch)	WH (White)
		12 (12 inches)		N (No switch)	
		18 (18 inches)			
		21 (21 inches)			
		24 (24 inches)			
		33 (33 inches)			
		42 (42 inches)			

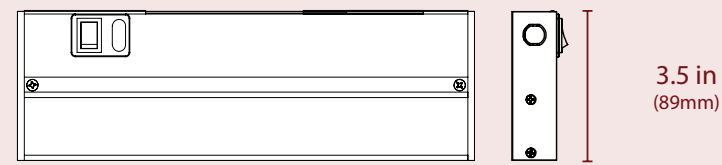


NUC5

CCT Selectable LED Under Cabinet

The NUC5 LED Under Cabinet is a premium solution, constructed from extruded aluminum for added durability. The NUC5 now offers a CCT Selectable design which allows for easy adjustment to 2700K, 3000K, or 4000K. The NUC5 presents a clean, professional look allowing you to use an existing wall switch or dimmer to easily control your lights. Offering uniform illumination, warm color, and low operating temperatures, this under cabinet light can be used in residential, retail, and commercial applications. Whether in a kitchen, under a shelf or in a defined workspace, these 1-inch low profile fixtures are perfect for task or accent lighting and illuminating products, apparel or collectibles.

Dimensions







Model	Length	Width
NUC508	8 in (203mm)	1 in (25mm)
NUC512	12.5 in (317mm)	1 in (25mm)
NUC521	21.5 in (546mm)	1 in (25mm)
NUC530	30 in (762mm)	1 in (25mm)
NUC540	40 in (1016mm)	1 in (25mm)



FEATURES



5 AVAILABLE SIZES
Common industry lengths: 8", 12.5", 21.5", 30", 40"

- 
CRI >92
R9 >50
- 
Lumens
 247-1213
- 
Lifetime
 >100,000 hrs
- 
Input
 120VAC

Select the Perfect Light

The NUC5 features an integrated selectable color temperature switch.

Selectable CCT

27K 3K 4K

Additional Finishes

Black · Bronze · Nickel



Ordering Information

Series	Version	Length	CCT	Finish Color
NUC	5	08 (8 inches)	S (Select)	BK (Black)
		12 (12.5 inches)		NK (Nickel)
		21 (21.5 inches)		OB (Oil-Rubbed Bronze)
		30 (30 inches)		WH (White)
		40 (40 inches)		

MFC - CALABRIA

Contemporary Style Ceiling Fan

- Available in 3-blade, 4-blade, and 5-blade variations
- Variable 3-Speed/Reversible fan motor
- 12° blade pitch for efficient air circulation
- Optional integrated LED light kit



Performance Data



RPM
73-189



Airflow Speed
3746-3900 CFM



Airflow Efficiency
78 CFM/W



CCT
3000K



CRI
90



Lumens
1800

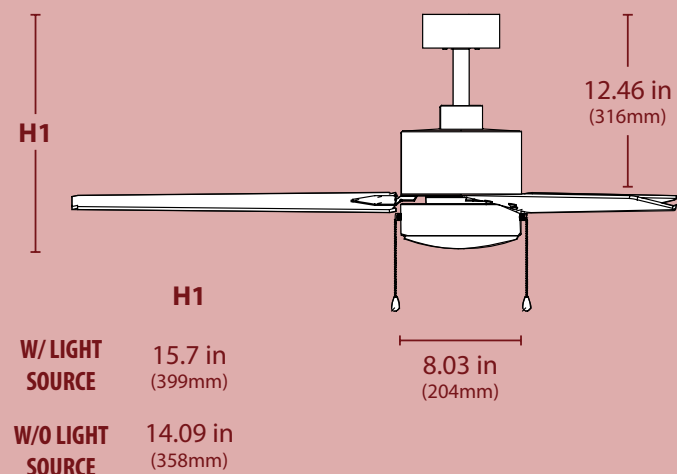
Ordering Information

Sweep	Series	Version	Voltage	Light Source	No. of Blades	Control Type	Housing Finish	Blade Finish
52	MFC	1	120	LED (Integrated)	3	_blank	WH (White)	WH (White)
				N (None)	4	RC (Remote Control)	BK (Black)	BK (Black)
					5	WC (Wall Switch)	NK (Nickel)	WT (Walnut)
								NK (Brushed Nickel)

Specifications and dimensions subject to change without notice. Please refer to the website for the most up-to-date information.

The Calabria (MFC) is a contemporary-styled ceiling fan designed with efficiency and flexibility in mind. The quiet, AC-powered motor includes 3 adjustable speeds with reversible functionality for year-round comfort. Effortlessly switch between downdraft mode for cooling in the summer, and updraft mode for warmth in the winter. Its versatile mounting system accommodates standard and sloped ceiling installations, while the blades are expertly crafted from durable plywood at a 12° pitch. The fan operates at a standard 120VAC input voltage and offers an integrated, 3000K LED light kit option. For convenient control, the Calabria includes a standard pull-chain with additional remote control and wall control options. Elevate your home with Calabria Series ceiling fan, blending practicality, flexibility, and style together seamlessly.

Dimensions



MFT - TRENTINO

Transitional Style Ceiling Fan

- Variable 3-Speed/Reversible fan motor
- Blades made from high-quality plywood materials
- Standard pull chain control with optional remote and wall switch



Performance Data



RPM
84-195



Airflow Speed
3972-4196 CFM



Airflow Efficiency
79-83 CFM/W



CCT
3000K



CRI
90



Lumens
1500-1800

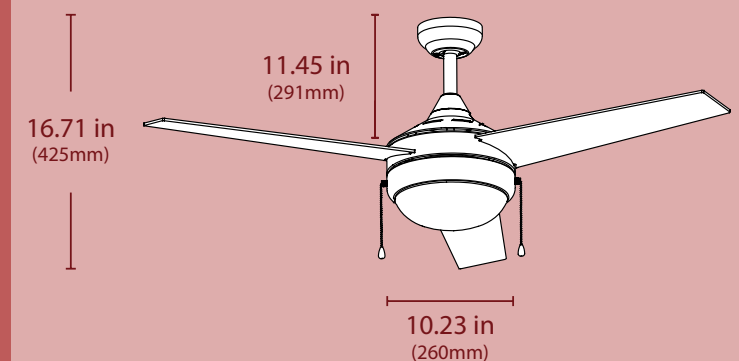
Ordering Information

Sweep	Series	Version	Voltage	Light Source	No. of Blades	Control Type	Housing Finish	Blade Finish
52	MFT	1	120	LED (Integrated)	3	_blank	WH (White)	WH (White)
				E26 (Socket Only) ¹	4	RC (Remote Control)	BK (Black)	BK (Black)
				A19 (Bulb Included)	5	WC (Wall Switch)	NK (Nickel)	WT (Walnut)
								NK (Brushed Nickel)

Specifications and dimensions subject to change without notice. Please refer to the website for the most up-to-date information.
1. E26 is socket-only, bulb is not included.

The Trentino(MFT) Transitional-style ceiling fan is designed with efficiency and flexibility in mind. This fan boasts a silent AC motor with three adjustable speeds and a reversible feature for year-round comfort, effortlessly switching between downdraft mode for cooling in the summer and updraft mode for warmth during the winter. Its versatile mounting system accommodates standard and angled installations, while the blades are expertly crafted from durable plywood. The fan operates at a standard 120VAC input voltage and offers three light kit options, including an integrated LED light kit, an E26 socket, and A19 with 2 x 9W LED dimmable lamps at 3000K. For convenient control, the fan includes a standard pull chain, with the added option of remote and wall switch controls. Elevate your home with this ceiling fan, blending practicality and style seamlessly.

Dimensions



MFO - OROTELLI

Outdoor Ceiling Fan

- Three Selectable LED color temperature options
- Variable 3-Speed/Reversible fan motor
- ABS waterproof coated blades for outdoor applications



Performance Data



RPM
81-161



Airflow Speed
4500 CFM



Airflow Efficiency
89 CFM/W



CCT
27/30/40K



CRI
90



Lumens
1600

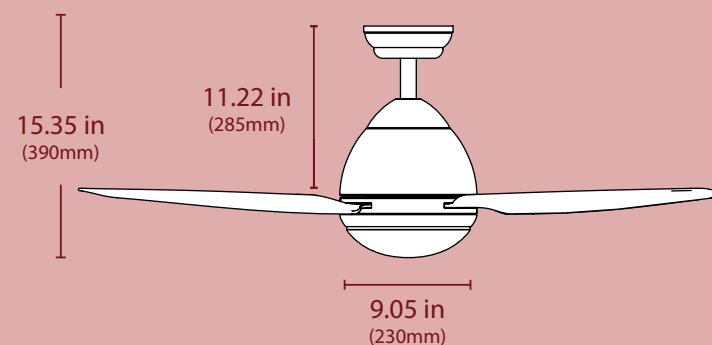
Ordering Information

Sweep	Series	Version	Voltage	Light Source	No. of Blades	Control Type	Housing Finish	Blade Finish
54	MFO	1	120	LED (Integrated)	3	RC (Remote Control)	BK (Black)	BK (Black)
				N (None)		WC (Wall Switch)		

Specifications and dimensions subject to change without notice. Please refer to the website for the most up-to-date information.

The Orotelli (MFO) is an outdoor ceiling fan designed for wet locations and is perfect for outdoor porch areas. This fan boasts a silent AC motor with three adjustable speeds and a reversible feature for year-round comfort, effortlessly switching between downdraft mode for cooling in the summer and updraft mode for warmth during the winter. Its versatile mounting system accommodates standard and angled installations, while the blades are expertly crafted from durable ABS plastic with a waterproofing coating. The fan operates at a standard 120 VAC input voltage and offers without-light kit and light kit options in 3CCT Select. For convenient control, the fan includes a standard remote control and optional wall switch controls. Elevate your home with this ceiling fan, blending practicality and style seamlessly.

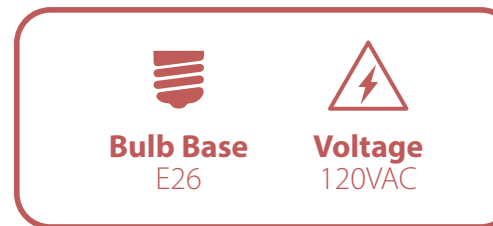
Dimensions



MPG

Glass Globe Pendant Light

- Steel canopy and downrod with clear glass globe shade
- Tilting downrod perfect for sloped ceilings
- Segmented downrods for customizable height at installation



*Bulb not included.

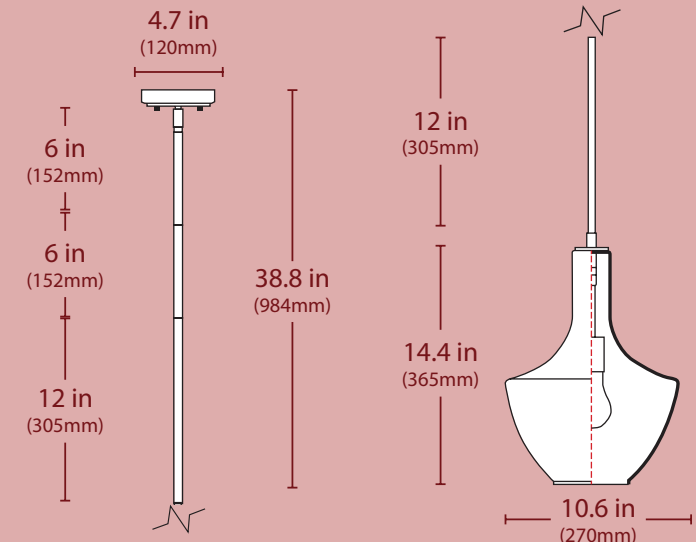
Ordering Information

Series	Version	Voltage	Light Shade Finish	Stem Finish
MPG	1	120	CL (Clear)	BK (Black)
				NK (Nickel) ¹

Specifications and dimensions subject to change without notice. Please refer to the website for the most up-to-date information.
1. Contact factory for MOQ and lead times on NK finishes.

The MPG Series presents a fusion of modern aesthetics and classic design elements. Featuring a clear glass globe shade, this pendant light offers a contemporary look that complements any space. The shade can be easily customized with a vintage, filament-style LED bulb for added visual appeal. Crafted with a steel canopy base, the MPG is compatible with both flat and sloped ceilings, ensuring perfect placement on pitched ceilings. Segmented downrods are included, allowing for personalized height at installation. The MPG series effortlessly combines modern geometry with timeless materials, making it an ideal choice for illuminating kitchen countertops or enhancing the ambiance of any room.


Dimensions




MPL

Frosted Shade Pendant Light

- Steel canopy and downrod with frosted shade
- Tilting downrod perfect for sloped ceilings
- Segmented downrods for customizable height at installation



Bulb Base
E26



Voltage
120VAC



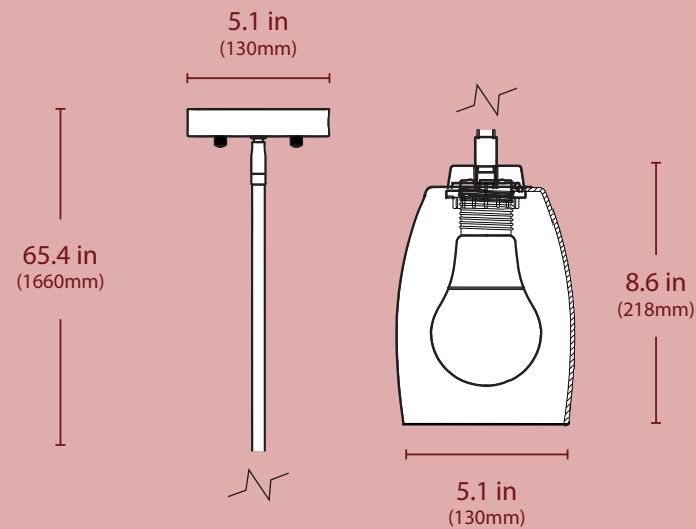
*Bulb not included.

Ordering Information				
Series	Version	Voltage	Light Shade Finish	Stem Finish
MPL	1	120	OP (Opal)	BK (Black) NK (Nickel) ¹

Specifications and dimensions subject to change without notice. Please refer to the website for the most up-to-date information.
1. Contact factory for MOQ and lead times on NK finishes.

The MPL Series redefines elegance and functionality with its timeless design. With segmented downrods for various lengths, each pendant light gracefully suspends a soft opaline glass shade, ensuring visual continuity. The MPL pendant light is compatible with both flat and sloped ceilings, ensuring your fixture hangs straight down. This series seamlessly combines fundamental design with clean details, making it perfect for illuminating kitchen countertops or enhancing the ambiance of bedroom spaces.


Dimensions




MPM

Metal Dome Shade Pendant Light

- Steel canopy base with adjustable black braided cord length
- Compatible with both flat and sloped ceilings
- Available in both black and nickel shades with white interior finish



Bulb Base
E26



Voltage
120VAC



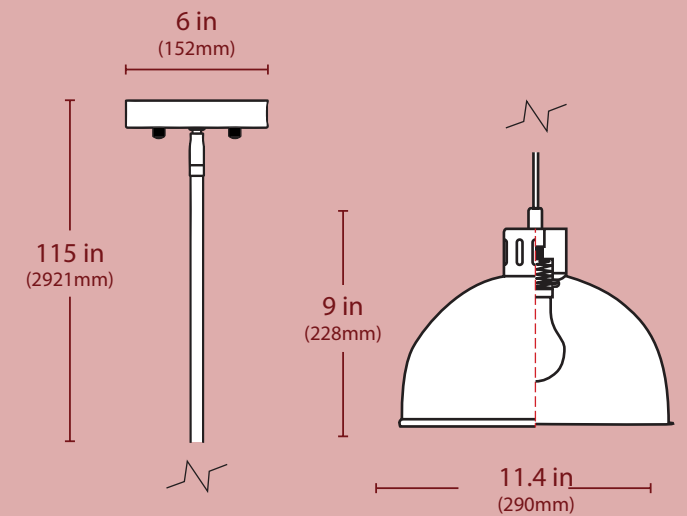
*Bulb not included.

Ordering Information				
Series	Version	Voltage	Light Shade Finish	Cord Finish
MPM	1	120	BK (Black) NK (Nickel) ¹	BK (Black) NK (Nickel) ¹

Specifications and dimensions subject to change without notice. Please refer to the website for the most up-to-date information.
1. Contact factory for MOQ and lead times on NK finishes.

The MPM Series industrial pendant light brings an artful edge to contemporary spaces. Featuring an oversized dome shape, this light combines a softly rounded matte black shade with a bright white inner surface for a striking contrast, or nickel with nickel inner surface for a sleek utilitarian effect. The black braided cord adds a touch of sophistication and can be adjusted for customizable height during installation. Whether suspended over a dining table or in a living room arrangement, this fixture defines a space with its finely crafted metal and artisanal appeal, adding a bold and sophisticated touch to any modern interior.

Dimensions



MOS

Minimalist Porch Light

- Aluminum body with metal black shade and white interior finish
- Dimmable integrated LED encased in a frosted acrylic diffuser
- Classified for outdoor applications and wet locations



Performance Data

CCT
3000K

CRI
90

Lumens
394

Wattage
10W

Input
120VAC

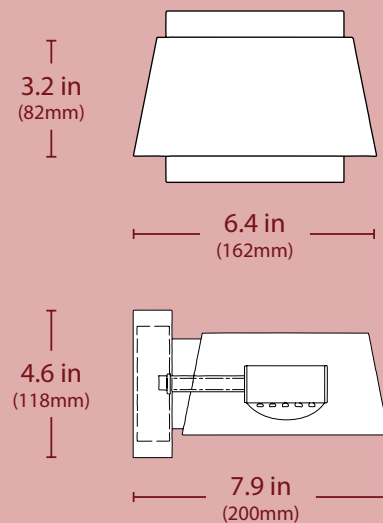
Ordering Information

Series	Version	Voltage	CCT	CRI	Finish
MOS	1	120	30 (3000K)	9 (90)	BK (Black)

Specifications and dimensions subject to change without notice. Please refer to the website for the most up-to-date information.

Elevate your porch with the MOS decorative outdoor wall sconce. The sleek aluminum body with a sandy black finish brings a modern charm, emitting a warm 3000K glow and offers a high 90 CRI color accuracy. Enjoy the flexibility of dimmability and adapting the ambiance to your preference. Designed for wet locations, this sconce guarantees reliable outdoor use.

Dimensions



MOG

Seeded Glass Porch Light

- Die-formed cold-rolled steel with matte black powder coated finish
- Transparent seeded glass shade for a more ambient glow
- Available in integrated LED and E26 socket option



*Socket option available. Bulb not included.

Performance Data

CCT
3000K

CRI
90

Lumens
630

Wattage
10W

Input
120VAC

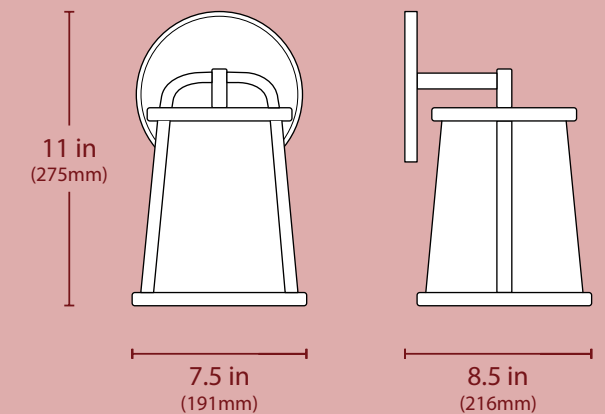
Ordering Information

Series	Version	Voltage	Light Source	Finish
MOG	1	120	LED30 (Integrated at 3000K)	BK (Black)
			E26 (Socket only)	

Specifications and dimensions subject to change without notice. Please refer to the website for the most up-to-date information.

The MOG Series combines modern design with durable construction for versatile indoor and outdoor lighting. Featuring transparent, seeded glass shades, these wall sconces offer an ambient glow that enhances any space. The series is available in both integrated LED finish and E26 socket options, providing flexibility to suit different lighting needs. A sleek black finish accentuates the lantern's clean lines and streamlined silhouette, adding a touch of sophistication to any setting. Crafted from durable die-formed cold-rolled steel with a black powder-coat finish, the MOG wall sconces are built to withstand inclement weather. Suitable for hardwired installation, these wall sconces are perfect for illuminating outdoor pathways, entryways, or indoor spaces with style and functionality.

Dimensions



MVM

LED Vanity Lights



- ☀ Durable steel body that easily installs on a recessed junction box
- ☀ High transmission acrylic for even light distribution
- ☀ Can be mounted vertically or horizontally

Performance Data

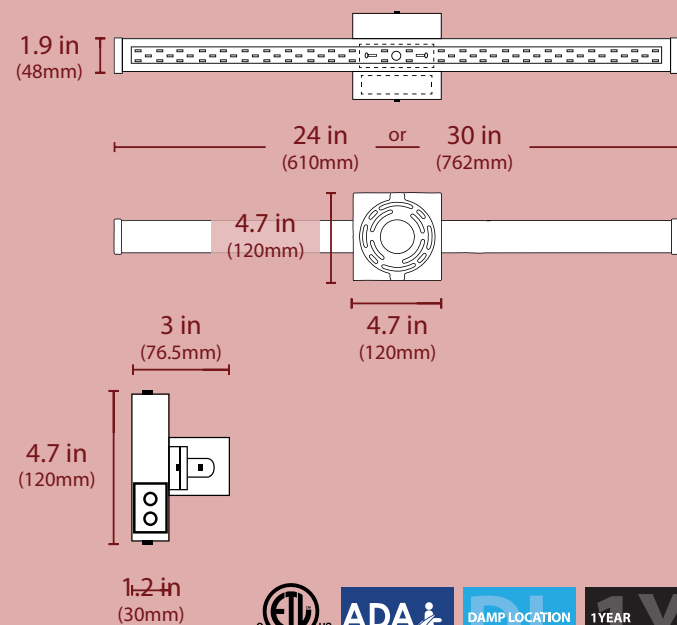
 CCT 3000K	 CRI 90	 Lumens 1250-1550	 Wattage 16-20W	 Input 120-277V
--	---	--	---	---

Ordering Information						
Series	Version	Length	Voltage	CCT	CRI	Finish
MVM	1	24 (24in)	UNV (120-277)	30 (3000K)	9 (90)	BK (Black)
		30 (30in)				NK (Nickel) ¹

Specifications and dimensions subject to change without notice. Please refer to the website for the most up-to-date information.
1. Contact factory for MOQ and lead times on NK finishes.

The MVM Vanity Light is crafted with a durable steel body and a crisp white acrylic shade and is available in two lengths: 24 inches and 30 inches. Emitting a warm 3000K light, the high CRI of 90 ensures true-to-life colors. This vanity light offers seamless ELV dimming compatibility within a versatile voltage range of 120V-277V. Designed for damp locations, it combines style and performance effortlessly to enhance your space.

Dimensions



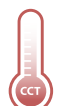




MVW

LED Vanity Lights



- ☀ Durable steel body that easily installs on a recessed junction box
- ☀ High transmission acrylic diffuser for uniform light distribution
- ☀ Suitable for any damp location applications

Performance Data

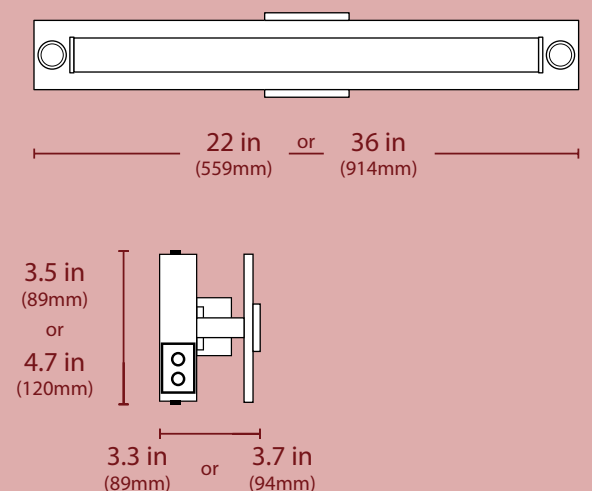
 CCT 30/40/50K	 CRI >80	 Lumens 1350-1700	 Wattage 19-23W	 Input 120VAC
--	--	---	---	---

Ordering Information						
Series	Version	Length	Voltage	CCT	CRI	Finish
MVW	1	22 (22in)	120	S (30/40/50K)	8 (80)	NK (Satin Nickel)
		36 (36in)				

Specifications and dimensions subject to change without notice. Please refer to the website for the most up-to-date information.

The MVW LED Vanity Lights is crafted with precision from die-formed cold steel and anodized aluminum, featuring high transmission glass for superior light distribution and uniformity. With easy mounting directly to J-Boxes and suitability for damp locations, it's the ideal choice to illuminate bathrooms and vanities with style and functionality.

Dimensions




MVC

3 or 4-Light Vanity Lights




*Bulb not included.

- ☀ Features a smooth opaline glass shade for even light distribution
- ☀ Can be mounted in an upward or downward position



Bulb Base
E26



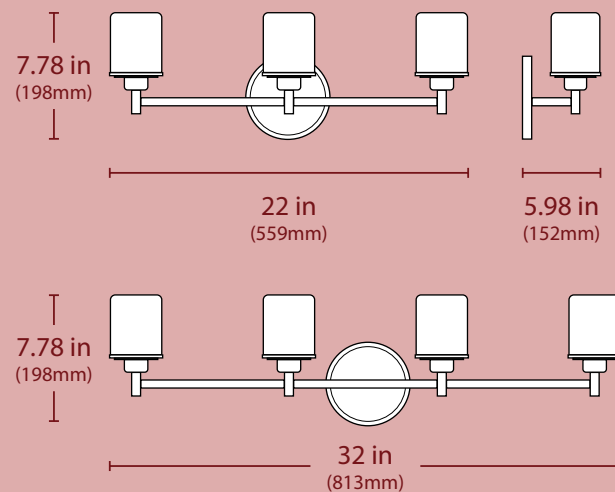
Voltage
120VAC

Ordering Information						
Series	Version	Number of Bulbs	Voltage	Light Source	Shade Finish	Finish
MVC	1	3	120	E26 (Socket Only)	OP (Opal)	NK (Satin Nickel)
		4				

Specifications and dimensions subject to change without notice. Please refer to the website for the most up-to-date information.

Enhance the ambiance of any spaces with the MVC 3 or 4-Lights Vanity Lights. This modern yet timeless design features a steel base with a nickel finish that mounts to a wall and supports a trio or quad of opaline glass shades. Versatile and flexible, this fixture can be mounted upwards for an ambient lighting, or downwards for a more focused illumination above your kitchen, bathroom sink, over a bookcase, or in hallways.


Dimensions




MSB

Decorative Wall Sconce

- ☀ Steel body and backplate with matte black powdercoat housing finish
- ☀ ADA-compliant to ensure safety and accessibility into any space
- ☀ Available in both Gold or Nickel accents



Bulb Base
E12



Voltage
120VAC



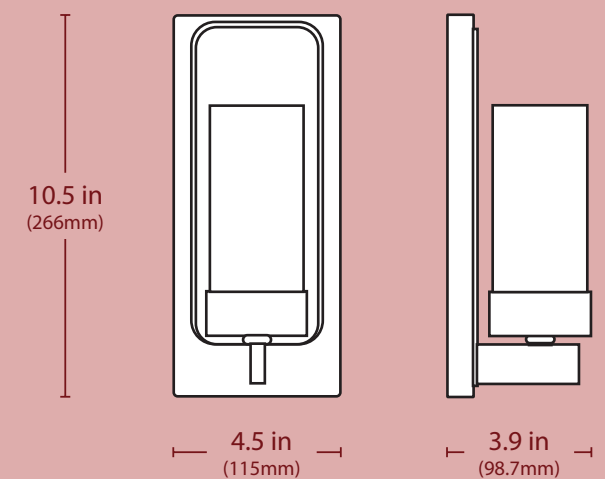
*Bulb not included.

Ordering Information					
Series	Version	Voltage	Light Source	Canopy Finish	Accent Finish
MSB	1	120	E12 (Socket Only)	BK (Black)	GL (Gold)
					NK (Nickel) ¹

Specifications and dimensions subject to change without notice. Please refer to the website for the most up-to-date information.
1. Contact factory for MOQ and lead times on NK finishes.

The MSB Wall Sconce embodies elegance with its sleek design and striking black finish accented by metallic touches. This sophisticated pendant light is designed for easy installation on a recessed junction box, offering a seamless addition to any space. ADA compliant, it meets accessibility standards without compromising on style. The opaline glass shade diffuses light beautifully, making it a perfect choice for bathrooms, enclosed patios, and entryways, creating a welcoming and refined ambiance wherever it's placed.

Dimensions



MSQ

Rectangular Wall Sconce

- Features a smooth acrylic shade for even light distribution
- Available in Nickel or Bronze finish



Performance Data

CCT 3000K

CRI >90

Lumens 850

Wattage 12W

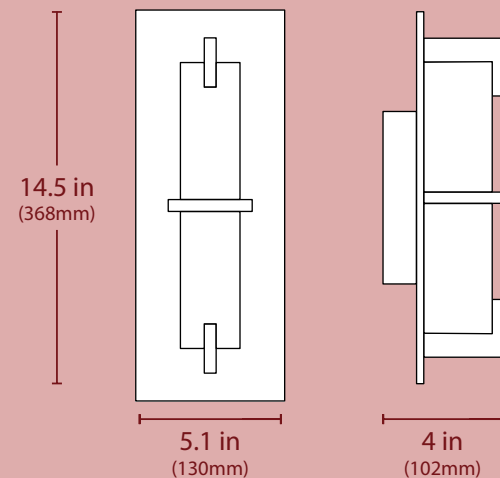
Input 120VAC

Ordering Information						
Series	Version	Voltage	Light Source	CCT	CRI	Finish
MSQ	1	120	LED (Integrated)	30 (3000K)	9 (>90)	NK (Nickel) OB (Oiled Bronze) ¹

Specifications and dimensions subject to change without notice. Please refer to the website for the most up-to-date information.
¹. Contact factory for MOQ and lead times on OB finishes.

The MSQ Series offers a minimalist sensibility with precise craftsmanship. These lights feature high transmission acrylic that ensures excellent light distribution and uniformity. It guarantees high efficiency performance with excellent color rendition, a power factor of >0.98, and THD below 10%. These lights are also dimmable up to 3% with compatible TRIAC dimmers, offering flexibility in lighting control. The MSQ Series is suitable for illuminating corridors, bedrooms, and other indoor spaces, adding a touch of elegance and functionality to any environment.

Dimensions



MSC

Cylindrical Wall Sconce

- Features a smooth acrylic shade for even light distribution
- Can be mounted in an upward or downward position



Performance Data

CCT 3000K

CRI >80

Lumens 700

Wattage 9W

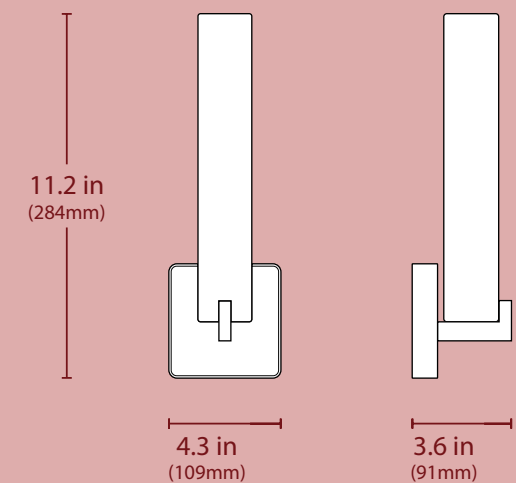
Input 120-277V

Ordering Information						
Series	Version	Voltage	Light Source	CCT	CRI	Finish
MSC	1	UNV (120-277)	LED (Integrated)	30 (3000K)	8 (>80)	NK (Nickel) OB (Bronze) ¹ BK (Black) ¹

Specifications and dimensions subject to change without notice. Please refer to the website for the most up-to-date information.
¹. Contact factory for MOQ and lead times on OB and BK finishes.

The MSC Cylindrical Wall Sconce embodies sophistication with a minimalist approach. This ADA-compliant wall sconce features thin cylindrical shades that emit a warm glow when lit, adding a touch of elegance to any indoor space. Crafted from durable die-formed cold-rolled steel, this hardwired sconce is perfect for corridors, bedrooms, or any indoor areas where style and function are paramount.

Dimensions



MSW

Minimalist Wall Sconce



- Steel body and backplate with matte black powdercoat housing finish
- ADA-compliant to ensure safety and accessibility in any space
- Available in both White or Bronze finish

Performance Data


CCT
3000K


CRI
>80


Lumens
1350-1700


Wattage
14W


Input
120VAC

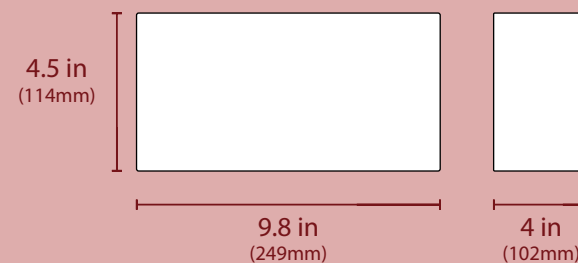
Ordering Information

Series	Version	Voltage	Light Source	CCT	CRI	Finish
MSW	1	120	LED (Integrated)	30 (3000K)	8 (>80)	WH (White)
						OB (Bronze)

Specifications and dimensions subject to change without notice. Please refer to the website for the most up-to-date information.

The MSW Series minimalist wall sconce is a refined embodiment of minimalist elegance. Crafted from die-formed cold-rolled steel, this sconce exudes sophistication and durability. Its high transmission glass ensures excellent light distribution and uniformity, enhancing the ambiance of any space. With an integrated LED producing over 1200 lumens of ambient light, the MSW is perfect for illuminating corridors, bedrooms, and other indoor areas, providing both functionality and style.

Dimensions



Explore a wide range of products with **NICOR** brochures and catalogs to uncover additional lighting solutions.



QUICK REFERENCE GUIDE

Get an overview of all the latest NICOR products



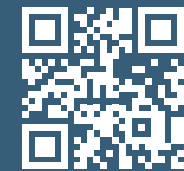
DOWNLIGHTS BROCHURE

See all downlight families and series that NICOR has to offer



OUTDOOR BROCHURE

Browse an extensive array of Outdoor Lighting from NICOR



WAREHOUSE BROCHURE

Learn more about Warehouse Lighting and NICOR's newest High Bays



HAZLOC BROCHURE

Check out NICOR's latest lighting fixtures suitable for Hazardous Locations



NICOR Lighting
2200 Midtown Pl. NE Albuquerque, NM 87107 USA

Warehouse Locations:
Albuquerque, NM
Buford, GA
Roseville, CA

T 800.821.6283
F 800.892.8393
www.nicorlighting.com



Scan QR for the latest
Specialty brochure



LIT-SPECIALTY-10PK
20250409

© 2025 NICOR® • ALL RIGHTS RESERVED