



Project	Catalog#
Comments	Date

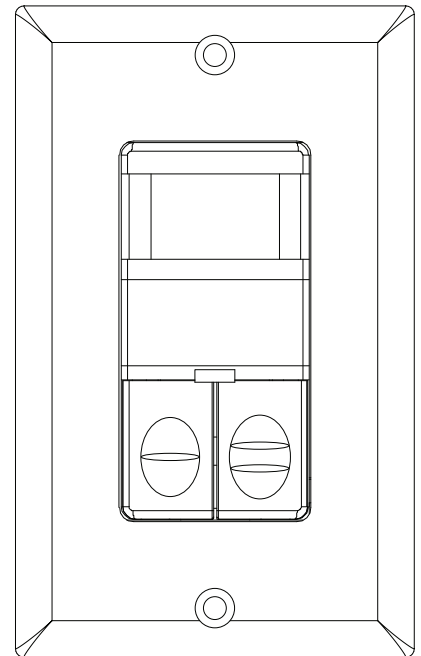
DESCRIPTION

The DOS180LP-D is a low power wall switch occupancy/vacancy sensor that does not require a neutral/ground. This sensor offers a dual relay and uses passive infrared technology to determine when a room has become occupied or vacant. It's effortless energy saving that is perfect for use in: offices, copy rooms, storage closets, small conference rooms, small restrooms, maintenance closets, break rooms, and more.

FEATURES AND SPECIFICATIONS

- 180° field of view
- Low power. No neutral wire required. No minimum load required.
- Operates at 120-277V
- Controls two separate loads. Bi-level wiring
- Turns lights On/Off automatically
- Built-in On/Off push-button
- Built-in OCC/VAC slide button offers manual on or auto on, always turns lights off automatically
- Time delay Off setting, adjustable from 15 seconds to 30 minutes
- Zero crossing function
- Adjustable sensitivity settings
- Standard decorator wall plate included
- Two year warranty
- Available in White and Ivory

DOS180LP-D



PRODUCT INFORMATION

Commercial Grade
180° Single Pole PIR Wall Switch

Coverage:
180°, 1200sq.ft

Rating:
Incandescent:
800W @ 120VAC

Fluorescent:
800VA @ 120VAC
1600VA @ 277VAC

Motor:
1/4 Hp @ 120VAC

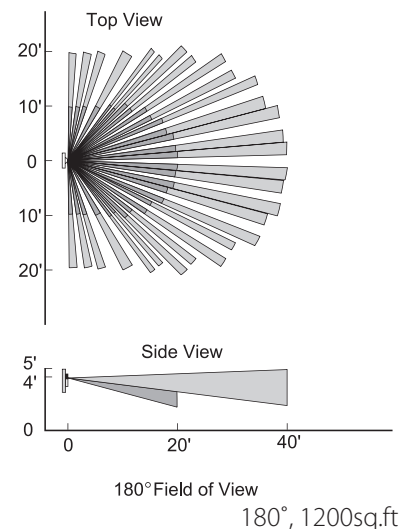
FIXTURE ORDERING INFORMATION

Example: DOS180LP-DWH

DOS180LP-D	Occ/Vac	X	X	WH
Series	Type	Coverage	Motor	Color
DOS180LP-D-WH	Occupancy/Vacancy	180°, 1200sq.ft	1/4 Hp	White
DOS180LP-D-IV	Occupancy/Vacancy	180°, 1200sq.ft	1/4 Hp	Ivory

Specifications and dimensions subject to change without notice.

Coverage Pattern:



Best: 320sq.ft
Regular: 800sq.ft
Maximum: 1200sq.ft

